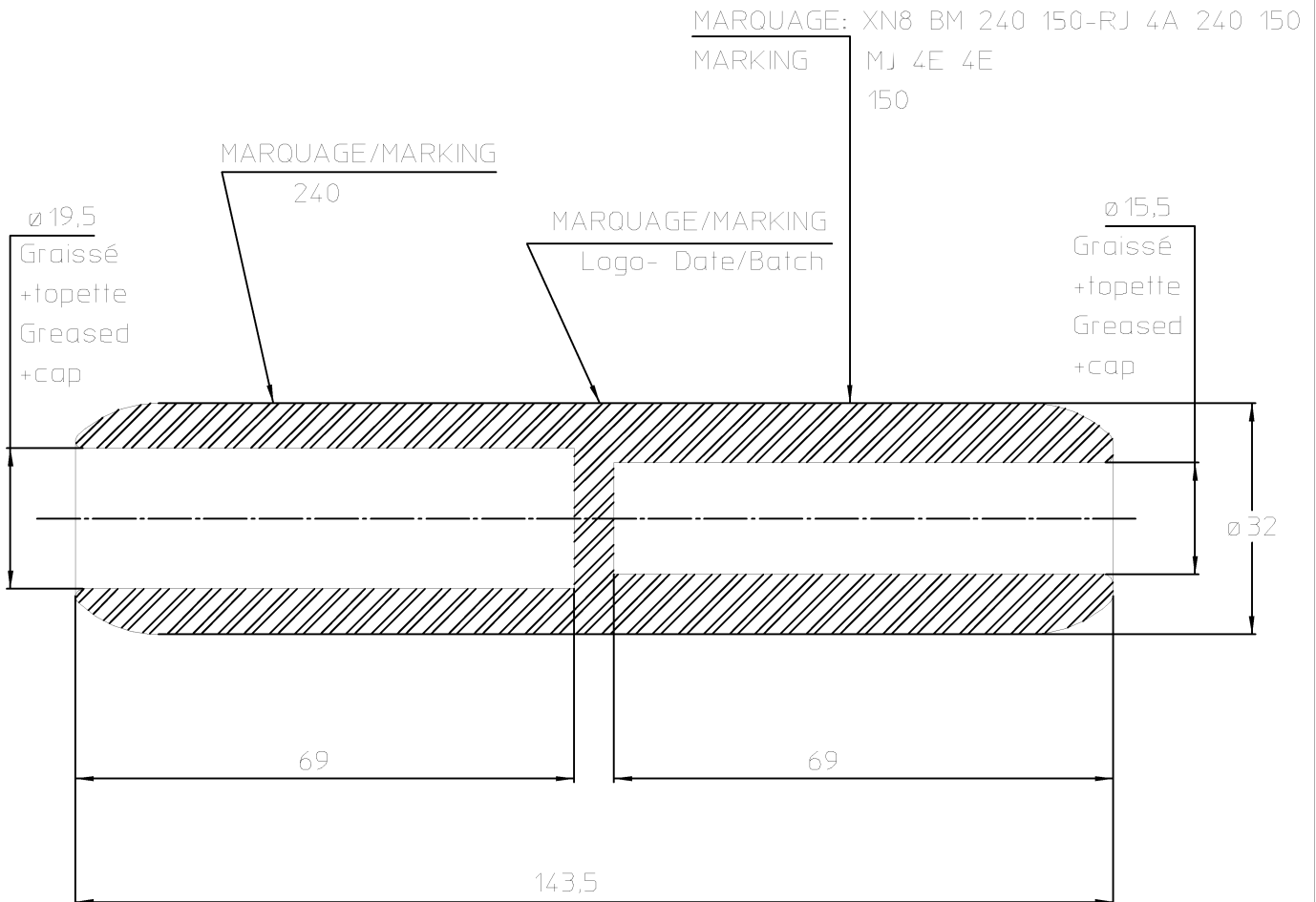


LOC	DIST	REVISIONS			
P	LTR REV	DESCRIPTION MODIFICATIONS	DATE	DWN DESS.	APVD APP.
	A	creation plan com	26 Feb 08	FM	GP



RELEASED FOR PUBLICATION

ALL RIGHTS RESERVED
 TOUS DROITS RÉSERVÉS


BY TYCO ELECTRONICS SIMEL

© COPYRIGHT 19

THIS DRAWING IS UNPUBLISHED.
 DIFFUSION RESEINTE AMP

1273165-1

Part Number

DIMENSIONS: mm	DWN /DESSINE MOIROUD	28-Feb-08	MATERIAL MATIERE	Alu 1050A	FINISH FINITION	-
	CHK /VERIFIE MAINER	-	 TE Connectivity 21220 Gevrey Chambertin SIMEL FRANCE			
TOLERANCES UNLESS OTHERWISE SPECIFIED PER TOLERANCES NON SPECIFIEES SELON :	APVD /APPROUVE PORCHERAY	-				
	PRODUCT SPEC SPEC. PRODUIT	C33-090-1	SIZE FORMAT	A 4	CAGE CODE 00779	DRAWING NO No PLAN © 1273165
	APPLICATION SPEC SPEC. APPLICATION	-	WEIGHT MASSE APPROX.	230g	RESTRICTED TO RESERVE A	-
CUSTOMER DWG / PLAN CLIENT			UNIQUEMENT POUR REFERENCE	SCALE ECHELLE	1:1	SHEET FEUILLE
					1 OF 1 DE 1	REV A