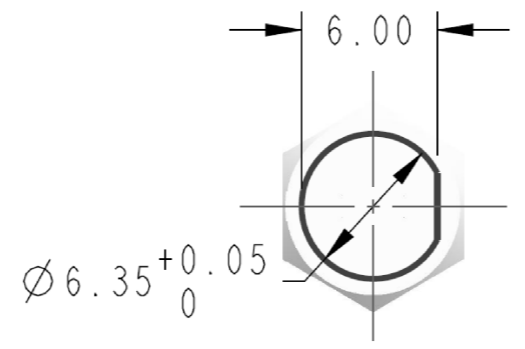
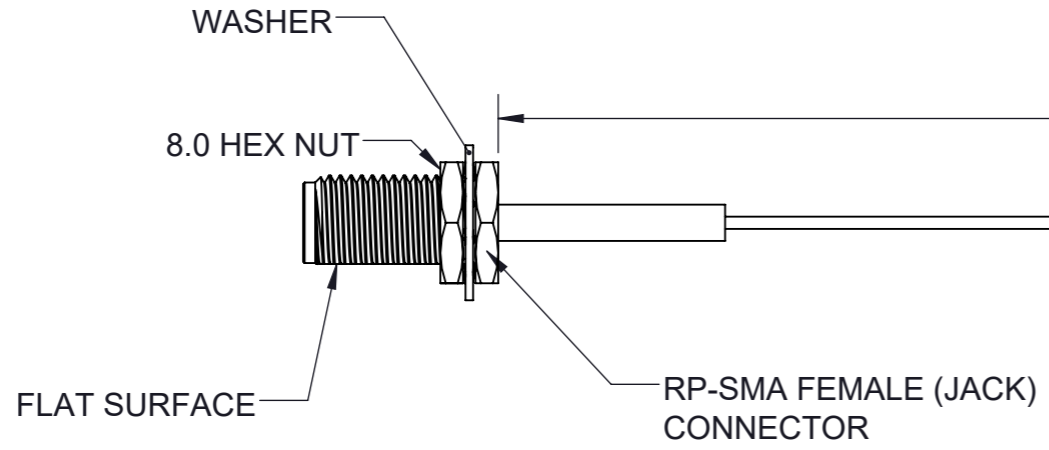
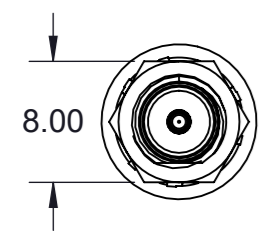
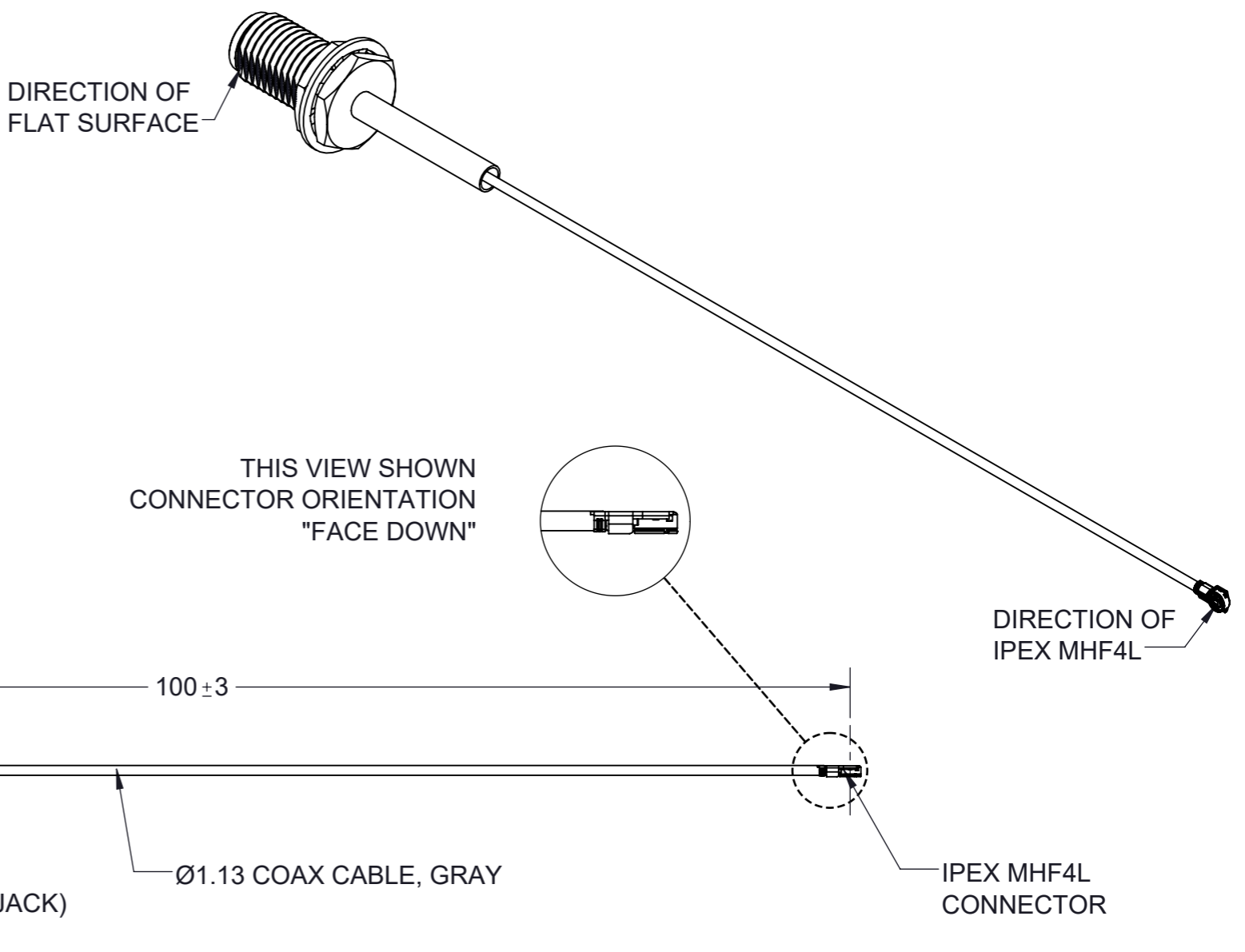


F03 4

PARAMETER	SPECIFICATION		
Part No.	CARSMF10AMH4L-001		
Frequency Range	100MHz to 3GHz	3GHz to 6GHz	6 to 7.5 GHz
VSWR, dB	<1.2:1	<1.5:1	<1.8:1
Insertion Loss, dB	0.55	0.8	1.01
Cable Type	Ø1.13 Coax Cable, Gray		
Connector 1	IPEX MHF4L		
Connector 2	RP-SMA Female		
Cable Length	100 ±3		
Impedance	50		
Temperature Range, °C	-30 to +80		

REVISIONS					
REV.	ECN#	ZONE	DESCRIPTION	CHANGED BY/DATE	APPROVED BY/DATE
F01			INITIAL RELEASE	LCTAN 22SEP20	TERENE 22SEP20
F02			ADD CABLE JACKET COLOR	LCTAN 06NOV20	TERENCE 06NOV20
F03	ECO-21-00478		ADD SPEC FOR 6 to 7.5 GHz	LCTAN 17DEC20	TERENCE 17DEC20



RECOMMEND PANEL CUTOUT

MATERIAL: SEE BOM		THIRD ANGLE PROJECTION
FINISH: N/A		DO NOT SCALE DRAWING
APPROVALS		INTERPRET DIMENSIONING AND TOLERANCING IN ACCORDANCE WITH ASME Y14.5M-2009
DRAWN BY	LCTAN	DATE
ELEC. ENG.	PETER	31MAR20
MECH. ENG.	WTNG	31MAR20
MFG./OPS.	GLYEAP	31MAR20
TOLERANCES UNLESS OTHERWISE SPECIFIED		DIMENSIONS ARE IN MILLIMETERS
ANGLE:		±30'
0 PLACE DECIMAL:		±0.5
1 PLACE DECIMAL:		±0.25
2 PLACE DECIMAL:		±0.13
SURFACE ROUGHNESS		1.6/√



TITLE:		
CARSMF10AMH4L-001 MOUNTING & OUTLINE		
SIZE	DWG. NO.	REV
A3	CARSMF10AMH4L-001MO	F03
SCALE: 2:1	PREVIOUS#	SHEET 1 OF 1

UNLESS OTHERWISE NOTED, THIS DOCUMENT CONTAINS LAIRD CONNECTIVITY CONFIDENTIAL INFORMATION. REPRODUCTION, USE, DISCLOSURE OR TRANSMITTAL OF ALL OR ANY PART OF THIS DOCUMENT IS PROHIBITED EXCEPT TO THE EXTENT APPROVED IN WRITING BY AN AUTHORIZED REPRESENTATIVE OF LAIRD CONNECTIVITY. LAIRD CONNECTIVITY RESERVES ALL RIGHTS UNDER PATENTS, TRADEMARKS, COPYRIGHTS AND TRADE SECRETS. COPYRIGHT, LAIRD CONNECTIVITY 2020. ALL RIGHTS RESERVED.