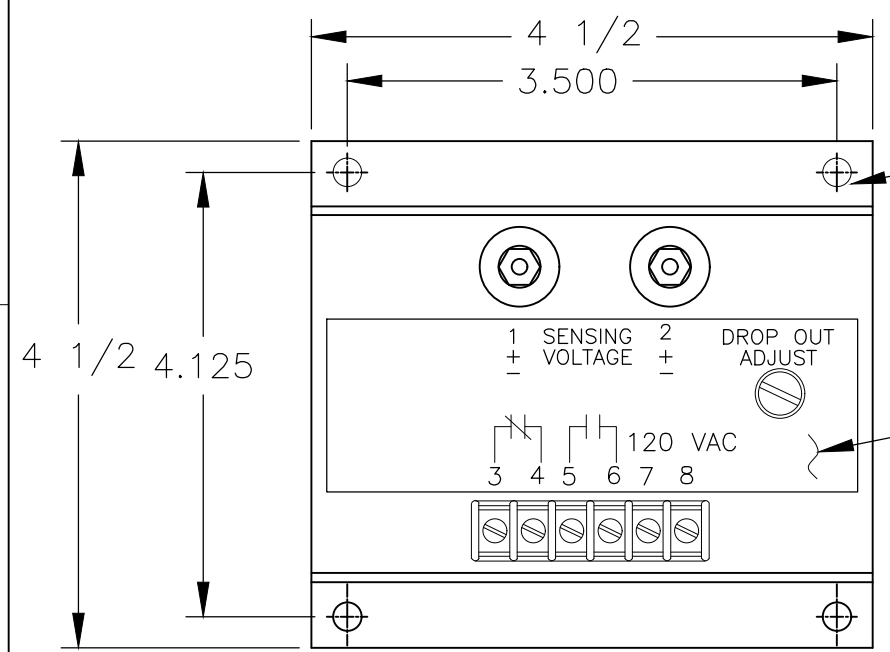


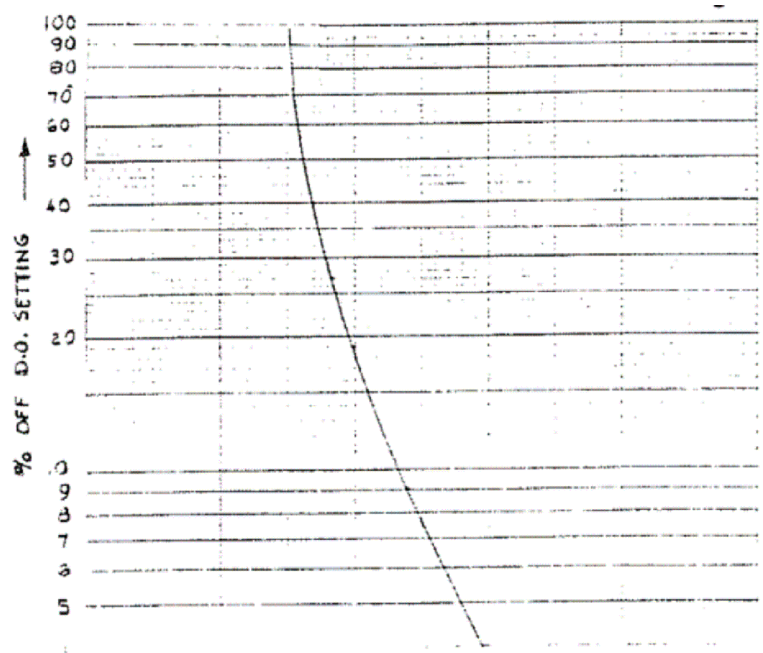
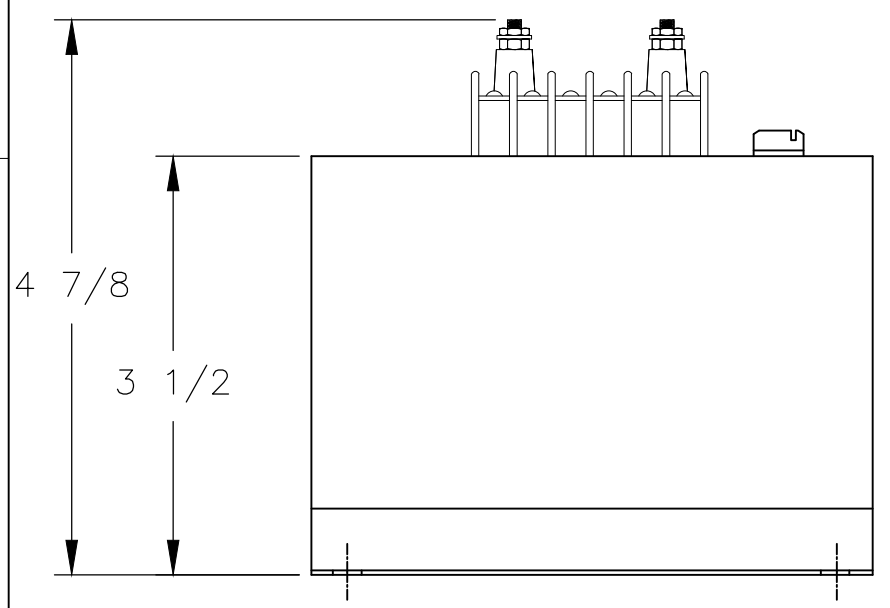
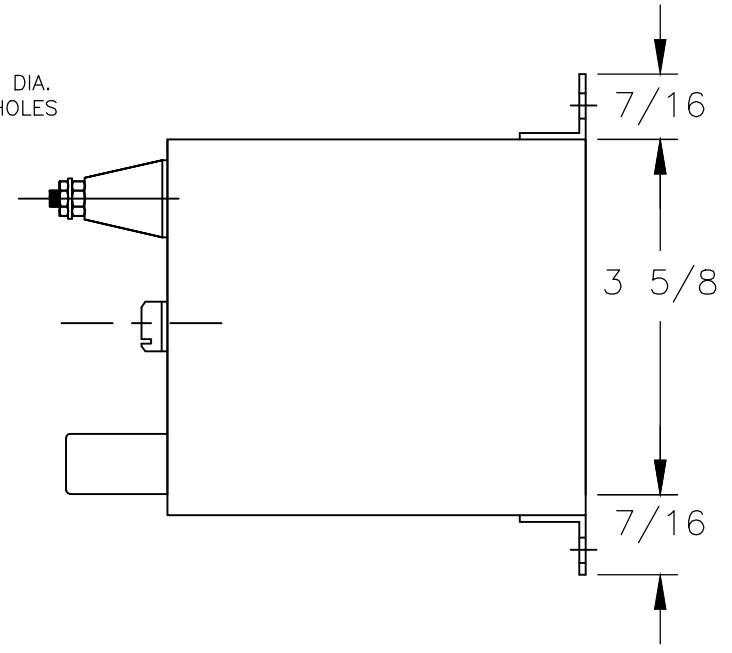
THIS DRAWING IS UNPUBLISHED. RELEASED FOR PUBLICATION  
 © COPYRIGHT - TE Connectivity Ltd. ALL RIGHTS RESERVED.

REVISIONS					
P	LTR	DESCRIPTION	DATE	DWN	APVD
	A	INITIAL RELEASE	07NOV2019	RV	TN



11/64" DIA.  
4 MTG.HOLES

NAME PLATE



**SPECIFICATIONS:**

NOMINAL SENSING VOLTAGE : SEE TABLE BELOW  
 OVER VOLT D.O. ADJ. RANGE : SEE TABLE BELOW  
 TYPE OF SENSING : BI-DIRECTIONAL DC VOLTAGE  
 D.O TO P.U. DIFFERENTIAL : 1% TYPICAL  
 CONTROL VOLTAGE : 120 V AC 50-400 Hz.  
 BURDEN : SENSING: .75W CONTROL : 2W  
 CONTACTS : 1NC, 1NO 5A RES. 23 VDC,130 VAC  
 OPERATING TEMPERATURE : -40°C TO +70°C  
 OPERATION : THE CONTACTS, SHOWN IN THE DE-ENERGIZED POSITION WILL TRANSFER WHEN NOMINAL CONTROL AND SENSING VOLTAGES ARE APPLIED, AND WILL REVERT TO THE DE-ENERGIZED POSITION WHEN THE SENSING VOLTAGE EXCEEDS THE PRESET VALUE OR UPON LOSS OF CONTROL VOLTAGE.

CONSTRUCTION : SOLID STATE SENSOR WITH ELECTROMECHANICAL RELAY OUTPUT ENCLOSED IN A SEALED STEEL HOUSING, PLATED PER MIL-T-10727, TYPE II

MODEL	SENSING VOLTS DC	
	NOMINAL	D.O.ADJ. RANGE
WOVBI-500 DC	500	500-700
WOVBI-600 DC	600	600-800
WOVBI-700 DC	700	700-900
WOVBI-750 DC	750	750-950
WOVBI-1000 DC	1000	1000-1200
WOVBI-350 DC	350	350-550

- NOTES:
1. REMOVE BLACK PLASTIC SCREW TO REACH THE INTERNAL ADJUSTMENT.
  2. CLOCKWISE ROTATION OF THE ADJUSTMENT WILL RAISE THE OVERVOLTAGE DROP-OUT SETTING.

ALL DIMENSIONS ARE IN INCHES

THIS DRAWING IS A CONTROLLED DOCUMENT.		DWN RV 07NOV2019	<b>STE</b> TE Connectivity		
DIMENSIONS: INCHES		CHK RV 07NOV2019			
TOLERANCES UNLESS OTHERWISE SPECIFIED:		APVD TN 07NOV2019	NAME		
0 PLC ± -		PRODUCT SPEC			
1 PLC ± -		-			
2 PLC ± -		APPLICATION SPEC			
3 PLC ± -		-			
4 PLC ± -		SIZE	CAGE CODE	DRAWING NO	RESTRICTED TO
ANGLES ± -		A3	-	WOVBI-700DC	-
FINISH		WEIGHT			
-		-			
		CUSTOMER DRAWING			SCALE NTS
		SHEET 1 OF 1		REV A	