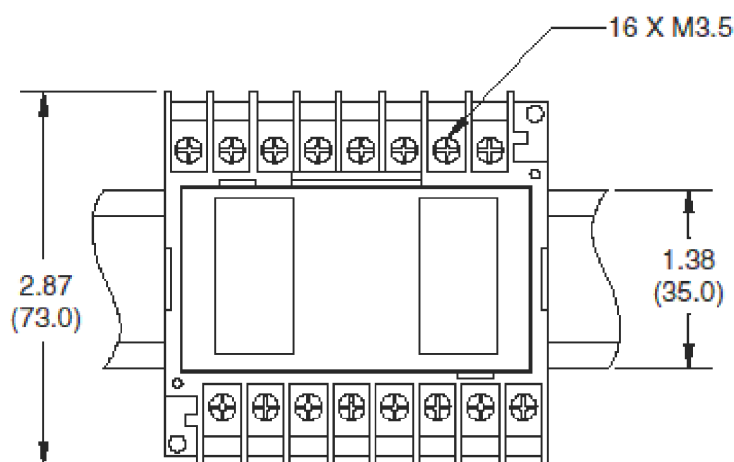


REVISIONS

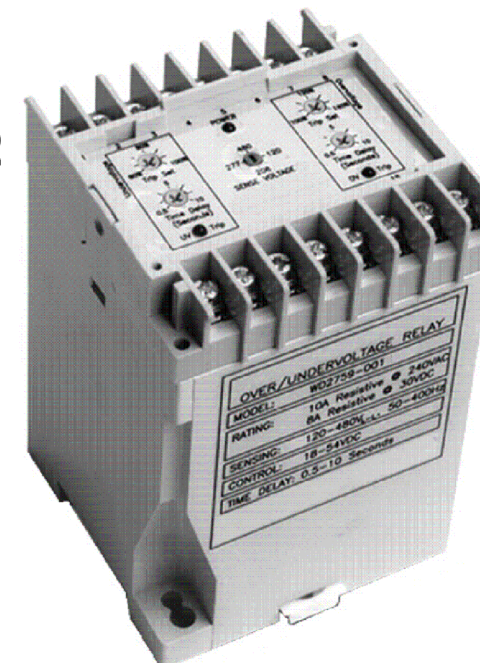
P	LTR	DESCRIPTION	DATE	DWN	APVD
	A	INITIAL DRAWN	14AUG2019	RV	TN



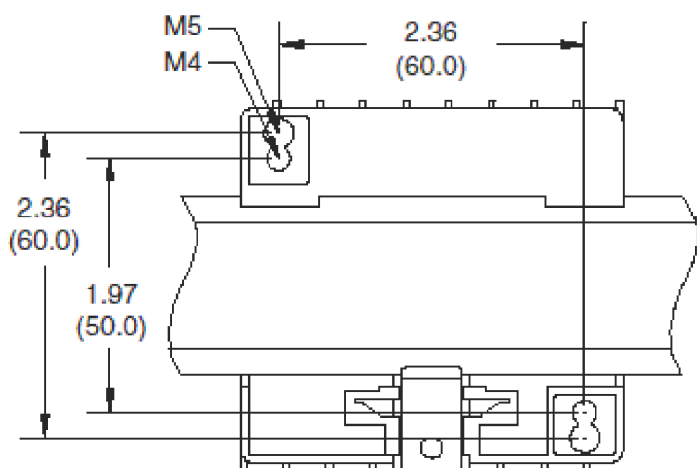
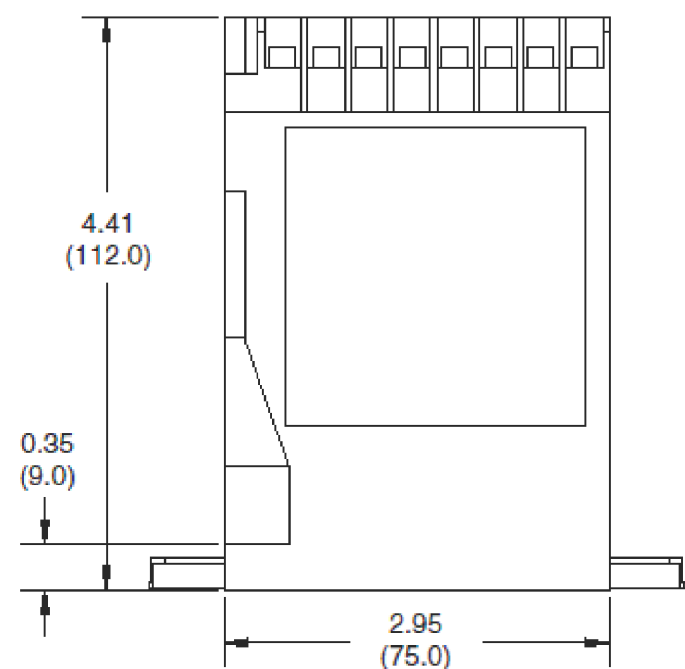
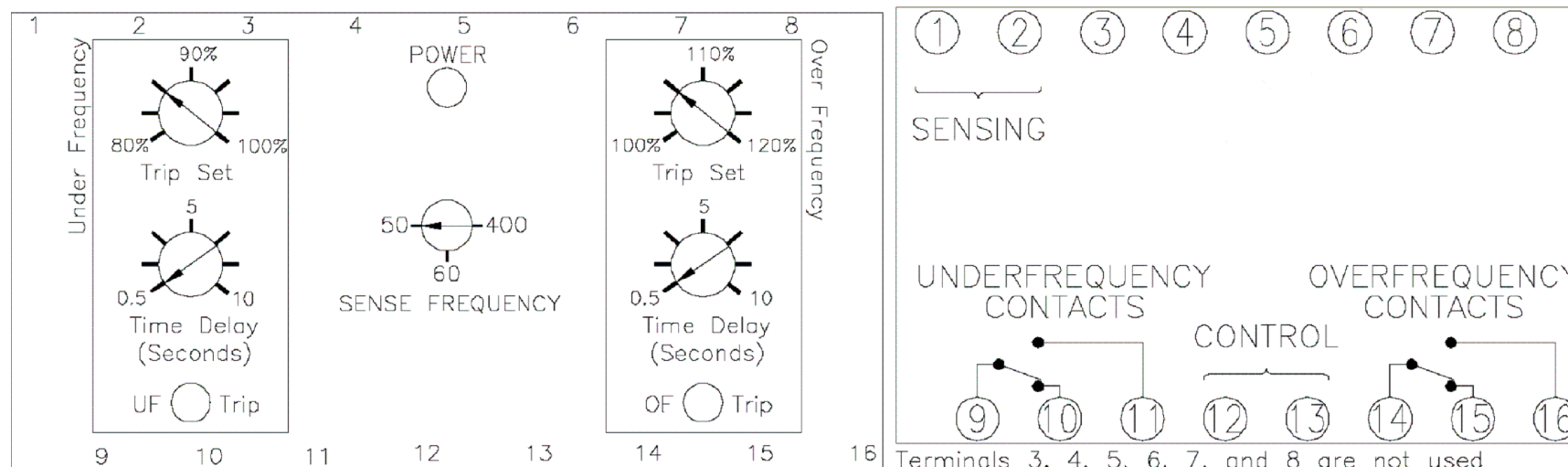
Ordering Information

Typical Part Number **WD 810U-002**

- 1. **Basic Series:** WD = DIN mount Protective Relay.
- 2. **Type:** 810U = Over/Undervoltage Relay.
- 3. **Control Voltage:**
 - 001 = 18 to 54VDC
 - 002 = 13.5 to 32 VDC
 - 003 = 100-200VDC or 100-140VAC.



Connection Diagram



Controls

ALL DIMENSIONS ARE IN INCHES(mm)

THIS DRAWING IS A CONTROLLED DOCUMENT.		DWN	RV	14AUG2019	 TE Connectivity	NAME			WD810U OVER/UNDER FREQUENCY RELAYS											
DIMENSIONS: INCHES		CHK	RV	14AUG2019		PRODUCT SPEC			-											
TOLERANCES UNLESS OTHERWISE SPECIFIED:		APVD	TN	14AUG2019		APPLICATION SPEC			-											
<table border="1"> <tr><td>0 PLC</td><td>± -</td></tr> <tr><td>1 PLC</td><td>± -</td></tr> <tr><td>2 PLC</td><td>± -</td></tr> <tr><td>3 PLC</td><td>± -</td></tr> <tr><td>4 PLC</td><td>± -</td></tr> <tr><td>ANGLES</td><td>± -</td></tr> </table>		0 PLC	± -	1 PLC		± -	2 PLC	± -	3 PLC	± -	4 PLC	± -	ANGLES	± -	MATERIAL			FINISH		
0 PLC	± -																			
1 PLC	± -																			
2 PLC	± -																			
3 PLC	± -																			
4 PLC	± -																			
ANGLES	± -																			
MATERIAL		FINISH			WEIGHT			-	SIZE	A3	CAGE CODE	-	DRAWING NO	C-WD810U-SERIES	RESTRICTED TO	-				
CUSTOMER DRAWING										SCALE	NTS	SHEET	1 OF 1	REV	A					