

THIS DRAWING IS UNPUBLISHED.

RELEASED FOR PUBLICATION

REVISIONS

© COPYRIGHT - TE Connectivity Ltd.

ALL RIGHTS RESERVED.

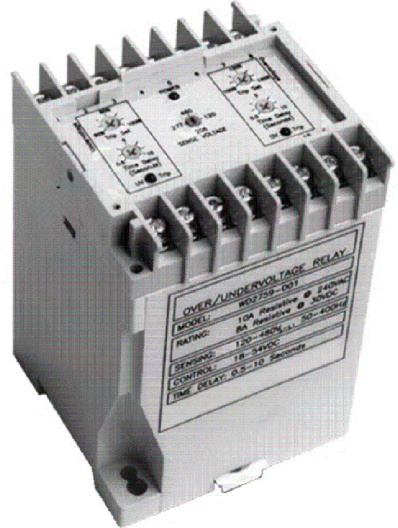
P	LTR	DESCRIPTION	DATE	DWN	APVD
	A	INITIAL RELEASE	13AUG2019	VM	TN

Ordering Information

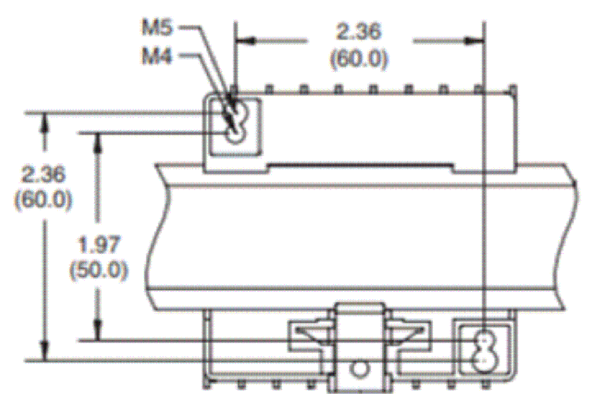
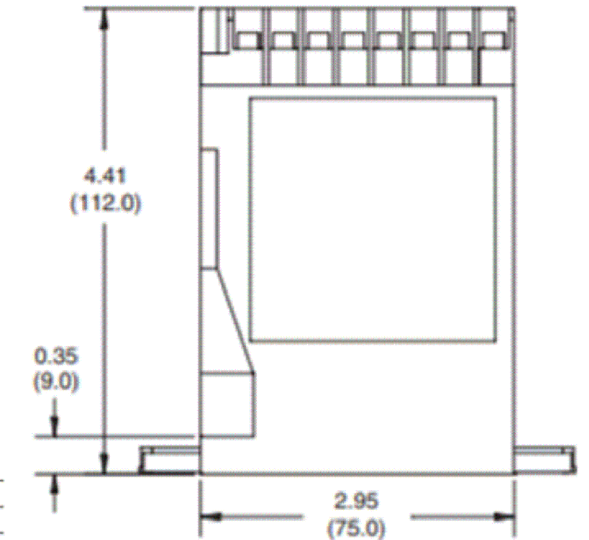
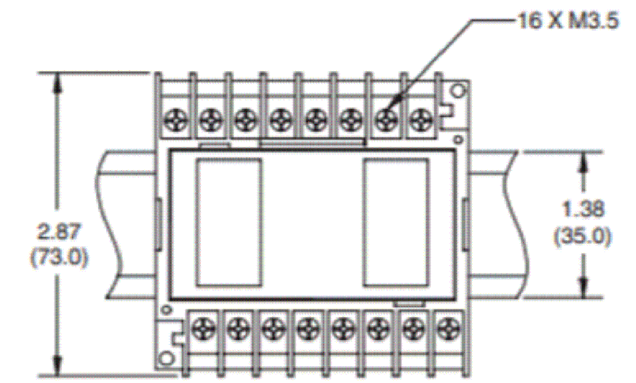
Typical Part Number ▶

WD 32 -00 2

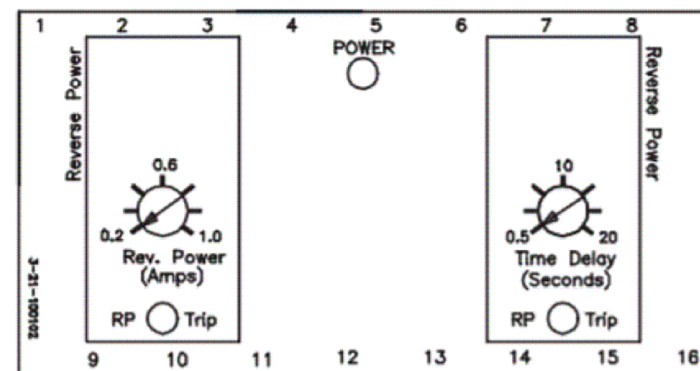
- 1. **Basic Series:** _____
WD = DIN mount Protective Relay.
- 2. **Type:** _____
32 = Reverse Power Relay.
- 3. **Load:** _____
00 = Resistive (power)
01 = Inductive (kVAR, 60 Hz.)
- 4. **Control Voltage:** _____
1 = 18 to 54VDC
2 = 13.5 to 32 VDC
3 = 100-200VDC or 100-140VAC.



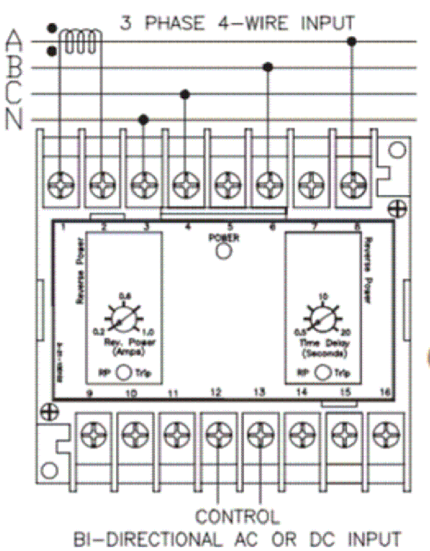
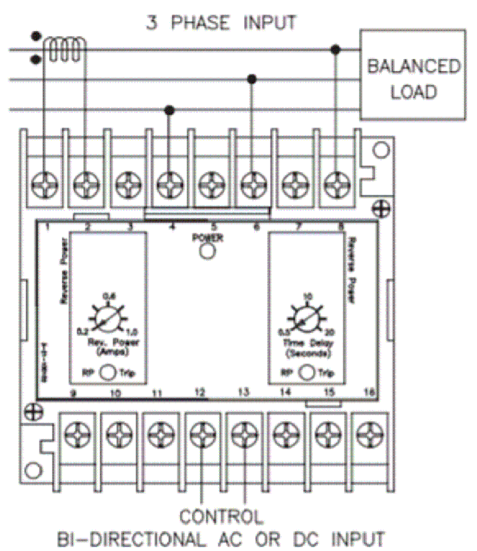
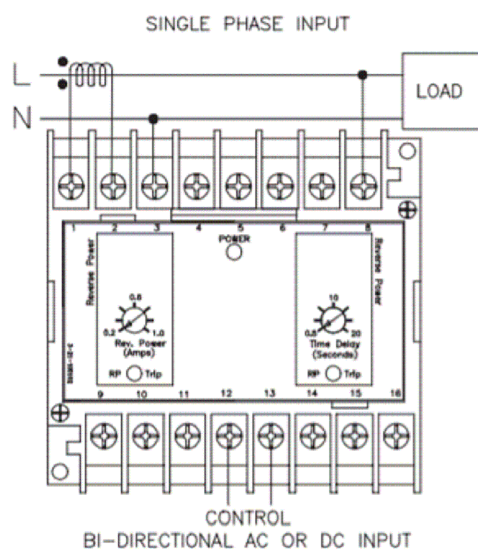
Outline Dimensions



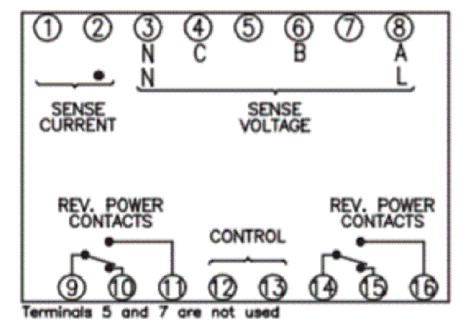
WD32 Controls



WD32 Typical Hookup



WD32 Connections



ALL DIMENSIONS ARE IN INCHES(mm)

THIS DRAWING IS A CONTROLLED DOCUMENT.		DWN VM 13AUG2019	TE Connectivity		
DIMENSIONS: INCHES		CHK RV 13AUG2019			
TOLERANCES UNLESS OTHERWISE SPECIFIED:		APVD TN 13AUG2019	WD32 REVERSE POWER RELAYS		
0 PLC ± - 1 PLC ± - 2 PLC ± - 3 PLC ± - 4 PLC ± - ANGLES ± -		PRODUCT SPEC -	RESTRICTED TO		
MATERIAL -		APPLICATION SPEC -	SIZE A3	CAGE CODE -	DRAWING NO C-WD32-SERIES
		WEIGHT -	CUSTOMER DRAWING		SCALE NTS SHEET 1 OF 1 REV A