

REVISIONS

P	LTR	DESCRIPTION	DATE	DWN	APVD
	A	INITIAL DRAWING	19AUG2019	VM	TN

### Ordering Information

Sample Part Number ►

**WCT1 -48DC -5 -B**

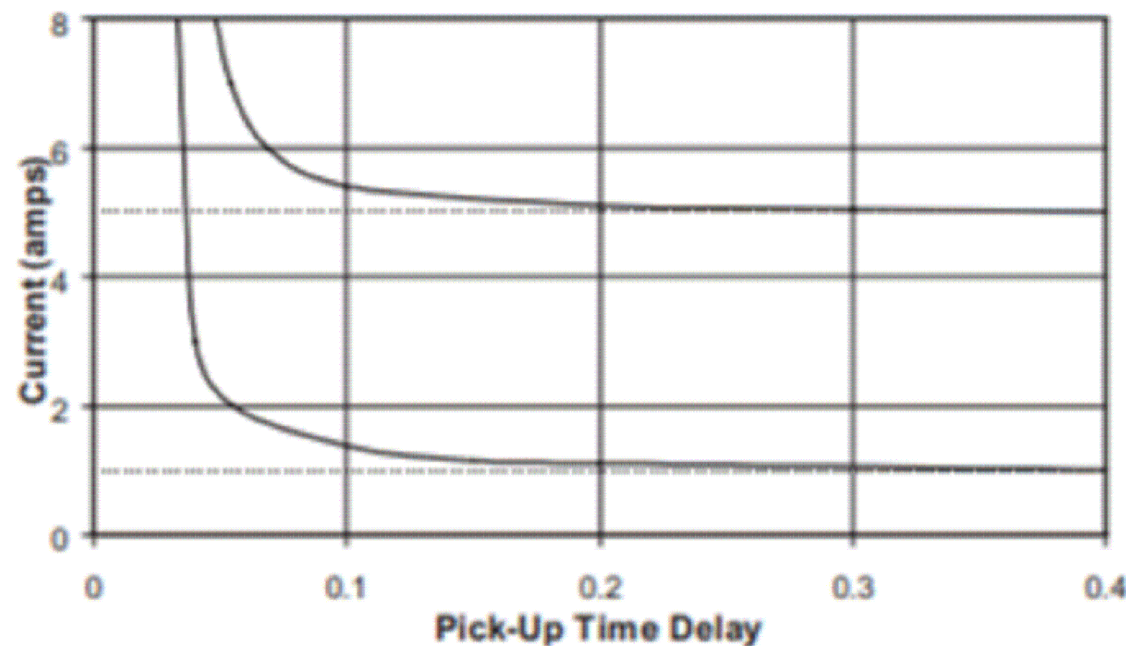
Type: \_\_\_\_\_  
 WC1 = Per Time Curves  
 WCT1 = Adjustable Time Delay

Control Voltage (± 15%) \_\_\_\_\_  
 26 DC  
 48 DC  
 125 AC  
 120 AC  
 230 AC  
 380 AC  
 460 AC

Trip Adjustment Range \_\_\_\_\_  
 1 = .2 amp - 1 amp  
 5 = 1 amp to 5 amp  
 10 = 2 amp to 10 amp

Other Options \_\_\_\_\_  
 A = Two normally open contacts  
 B = Two normally closed contacts

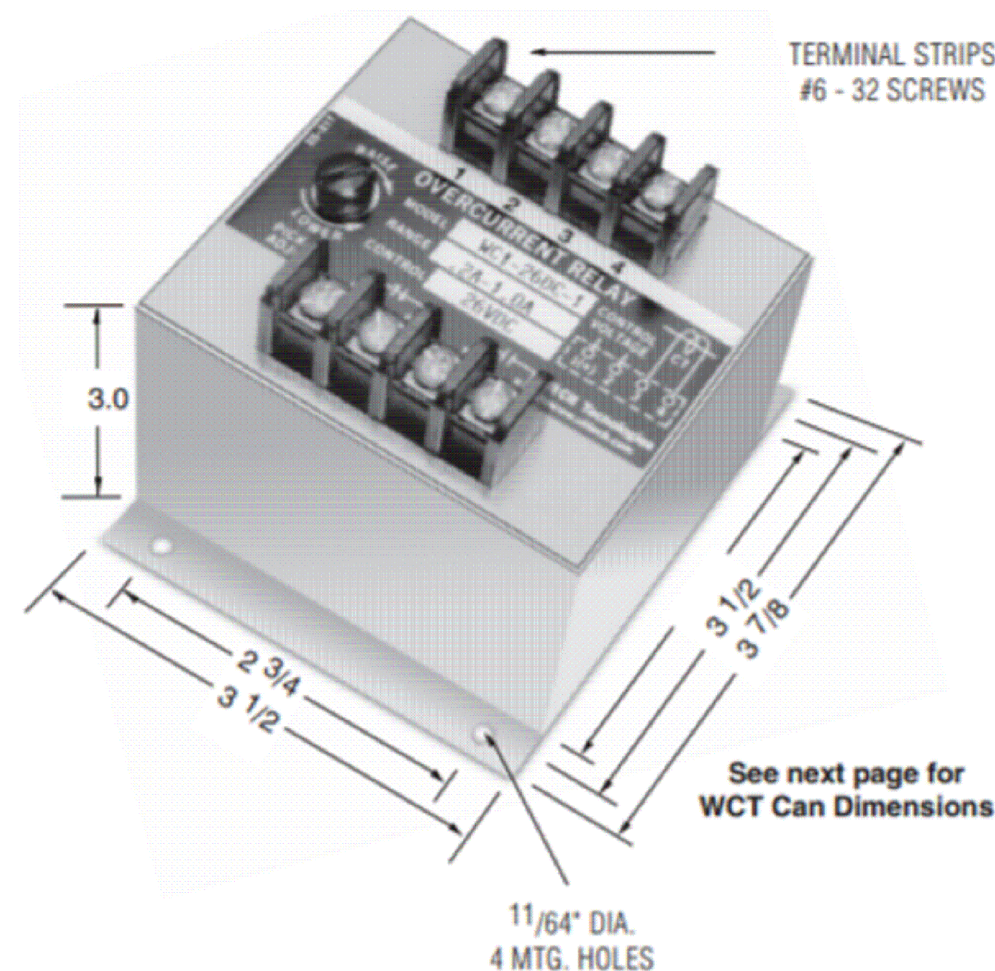
#### Typical Curves (WC1 Series)



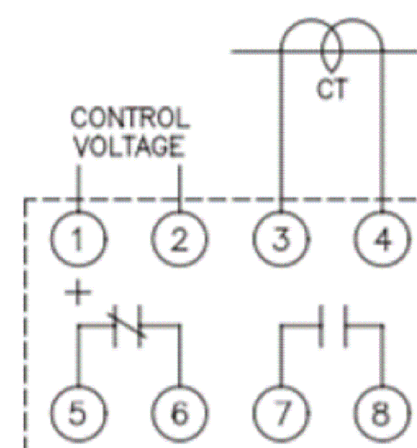
### Product Specifications

- Line Current** — Single Phase, AC current, 50-400 Hz Direct or from CT
- Control Voltage** — See Ordering Information
- Trip Point** — Screwdriver adjustable. Adjustment range in accordance with ordering information.
- Pick-Up to Drop-Out Differential** — Approximately 0.1 amp.
- Overcurrent Allowance** — Maximum of 500% for 0.25 seconds
- Surge Withstand Capability** — In compliance with C37.90B ANSI/IEEE
- Operating Temperature** — -40°C to +70°C
- Temperature Drift** — ± .05%
- Burden** — Current input — 1.2 VA, Control voltage — 2.5 VA
- Contact Ratings** — One set, N.O., One set N.C. 5 amp resistive at 120 VAC or 28 VDC

- Notes:**
1. Remove black screws for access to the current pick-up and the time delay adjustment.
  2. Clockwise rotation of the pick-up adjustment will raise the current trip point.
  3. Clockwise rotation of the time delay adjustment, (Type WCT1 only) will increase the time delay.



Note: Dimensions in inches. Multiply values by 25.4 for dimensions in mm.



**Time Delay**  
**Standard Time Delay (WC1 Series)** — A fixed inverse time delay is incorporated in all overcurrent relays and is represented by the typical curves shown.  
**Adjustable Time Delay (WCT1 Series)** — The time delay is field adjustable. The standard time delay can be increased by any value between 0.5 and 20 seconds.

THIS DRAWING IS A CONTROLLED DOCUMENT.		DWN VM 19AUG2019	TE Connectivity		
DIMENSIONS: INCHES		CHK RV 19AUG2019			
TOLERANCES UNLESS OTHERWISE SPECIFIED:		APVD TN 19AUG2019	NAME WCT1-SERIES		
0 PLC ± -		PRODUCT SPEC	-		
1 PLC ± -		APPLICATION SPEC	-		
2 PLC ± -		SIZE A3	CAGE CODE -	DRAWING NO. C-WCT1-SERIES	RESTRICTED TO -
3 PLC ± -		WEIGHT -	SCALE NTS SHEET 1 OF 1 REV A		
4 PLC ± -		CUSTOMER DRAWING			
ANGLES ± -					
FINISH -					