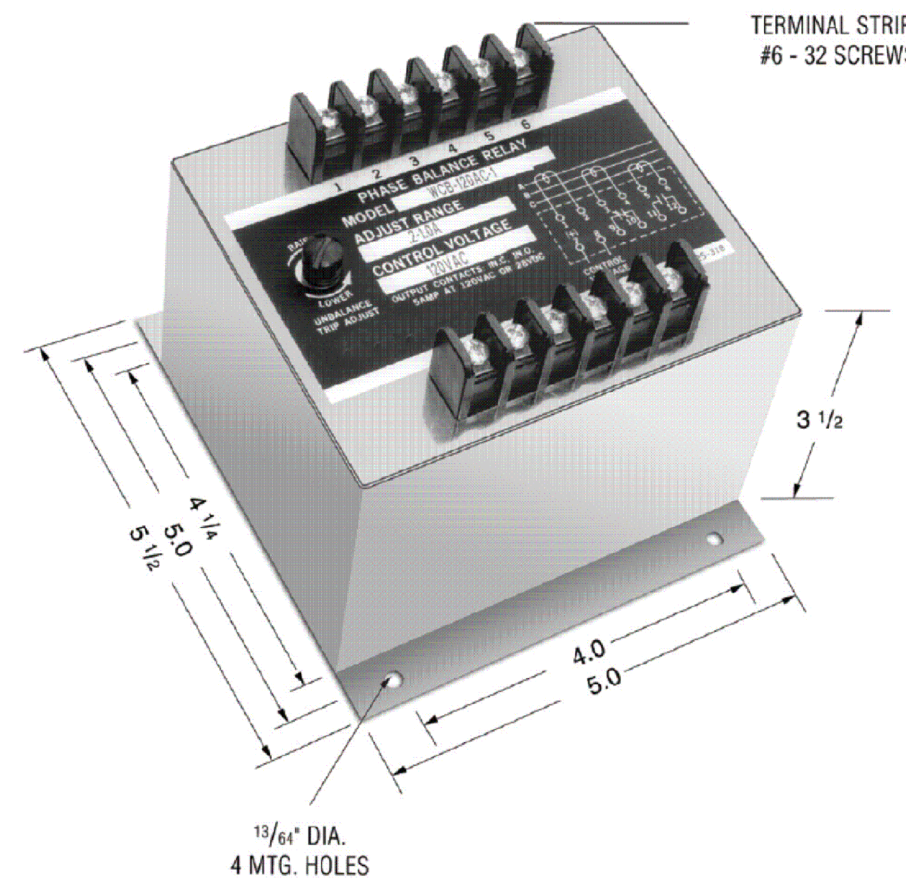


THIS DRAWING IS UNPUBLISHED. RELEASED FOR PUBLICATION  
 © COPYRIGHT - TE Connectivity Ltd. ALL RIGHTS RESERVED.

REVISIONS				
P	LTR	DESCRIPTION	DATE	APVD
	A	INITIAL DRAWN	19AUG2019	RV TN



TERMINAL STRIPS #6 - 32 SCREWS

**Ordering Information**

Sample Part Number ▶

**WCB -120AC -1 -A**

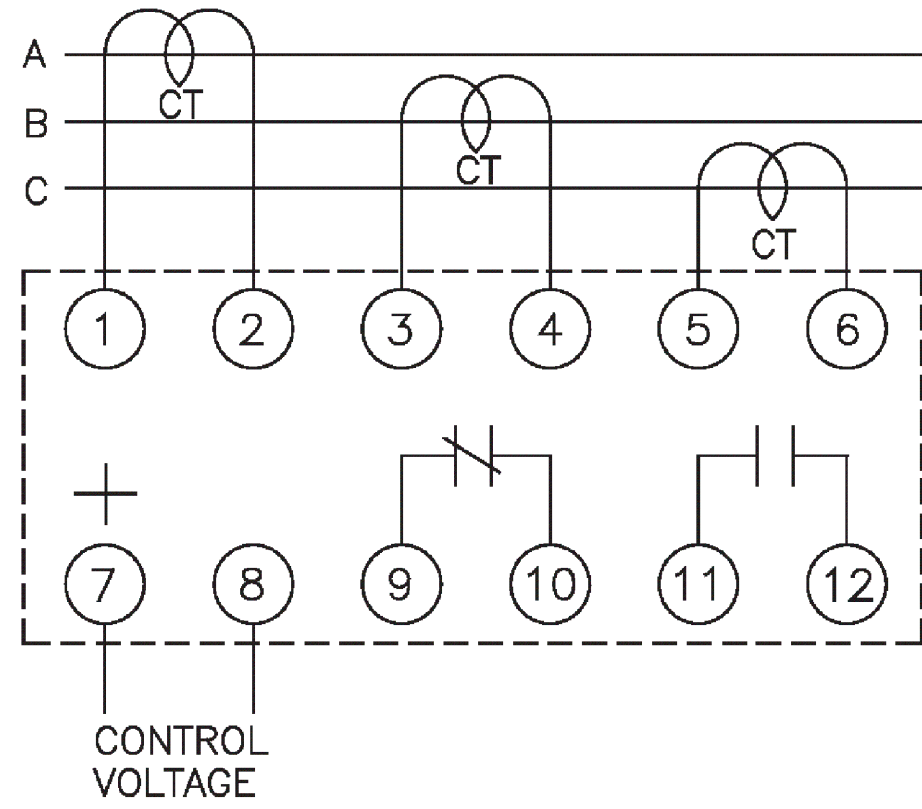
Type: WCB = Current Balance

- Control Voltage (± 15%)
- 26 DC
  - 48 DC
  - 125 AC
  - 120 AC
  - 230 AC
  - 380 AC
  - 460 AC

- Trip Adjustment Range
- .5 = 0.1 amp to 0.5 amps
  - 1 = 0.2 amp to 1 amp
  - 2 = 0.4 amp to 2 amp

- Options:
- A = two normally open contacts
  - B = two normally closed contacts

Note: Dimensions in inches. Multiply values by 25.4 for dimensions in mm.



THIS DRAWING IS A CONTROLLED DOCUMENT.		DWN RV 19AUG2019	TE Connectivity					
DIMENSIONS: INCHES		CHK RV 19AUG2019				NAME		
		APVD TN 19AUG2019				WCB SERIES		
TOLERANCES UNLESS OTHERWISE SPECIFIED:		PRODUCT SPEC		SIZE				
0 PLC ± -		-		A3				
1 PLC ± -		-		CAGE CODE				
2 PLC ± -		APPLICATION SPEC		-				
3 PLC ± -		-		DRAWING NO				
4 PLC ± -		-		G-WCB-SERIES				
ANGLES ± -		-		RESTRICTED TO				
MATERIAL		WEIGHT		-				
FINISH		-		SCALE NTS				
		CUSTOMER DRAWING		SHEET 1 OF 1				
				REV A				