

THIS DRAWING IS UNPUBLISHED.

RELEASED FOR PUBLICATION

REVISIONS

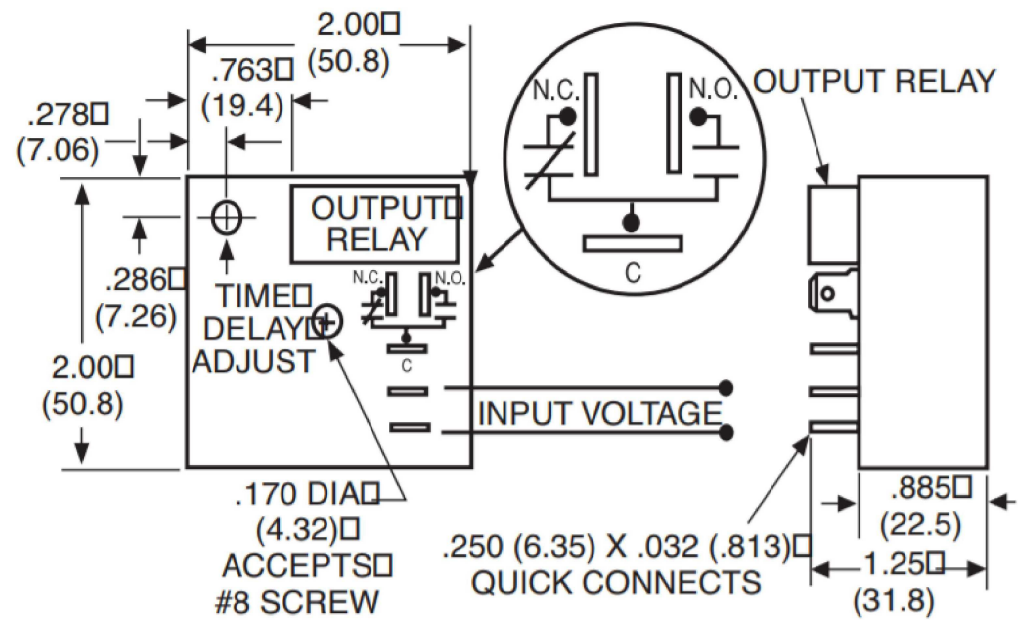
© COPYRIGHT - TE Connectivity Ltd.

ALL RIGHTS RESERVED.

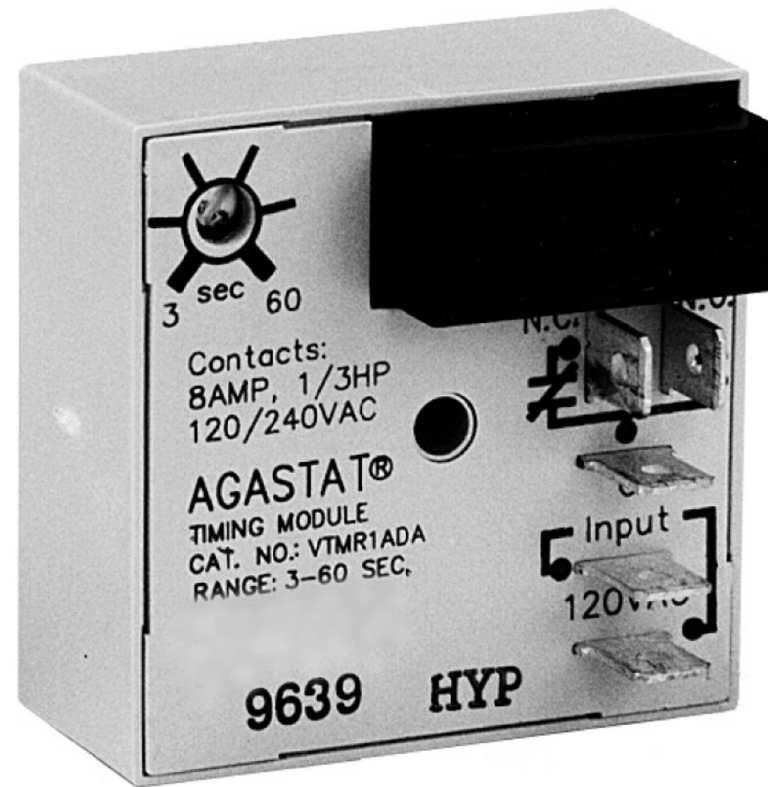
P	LTR	DESCRIPTION	DATE	DWN	APVD
	A	INITIAL DRAWN	13AUG2019	VM	DH

# Ordering Information

Part Number	Time Range	Input Voltage
VTMR1AEA	15 to 300 sec.	120VAC



Outline Dimensions and Wiring Diagram



ALL DIMENSIONS ARE IN INCHES[MM].

THIS DRAWING IS A CONTROLLED DOCUMENT.		DWN VM 13AUG2019	<b>TE</b> TE Connectivity Ltd.			
DIMENSIONS: INCHES		CHK RV 13AUG2019				
TOLERANCES UNLESS OTHERWISE SPECIFIED:		APVD DH 13AUG2019	NAME VTMR1 SERIES, ON-DELAY TIMING MODULE			
0 PLC ± -		PRODUCT SPEC -				
1 PLC ± -		APPLICATION SPEC -	SIZE A3	CAGE CODE -	DRAWING NO. ©VTMR1-SERIES	RESTRICTED TO -
2 PLC ± -		WEIGHT -	SCALE NTS		SHEET 1 of 1	REV A
3 PLC ± -		CUSTOMER DRAWING				
4 PLC ± -						
ANGLES ± -						
FINISH -						