

THIS DRAWING IS UNPUBLISHED.

RELEASED FOR PUBLICATION

© COPYRIGHT - TE Connectivity Ltd.

ALL RIGHTS RESERVED.

REVISIONS

P	LTR	DESCRIPTION	DATE	DWN	APVD
	A	INITIAL DRAWING	13AUG2019	VM	DH

Ordering Information

Part Number



VTM-1

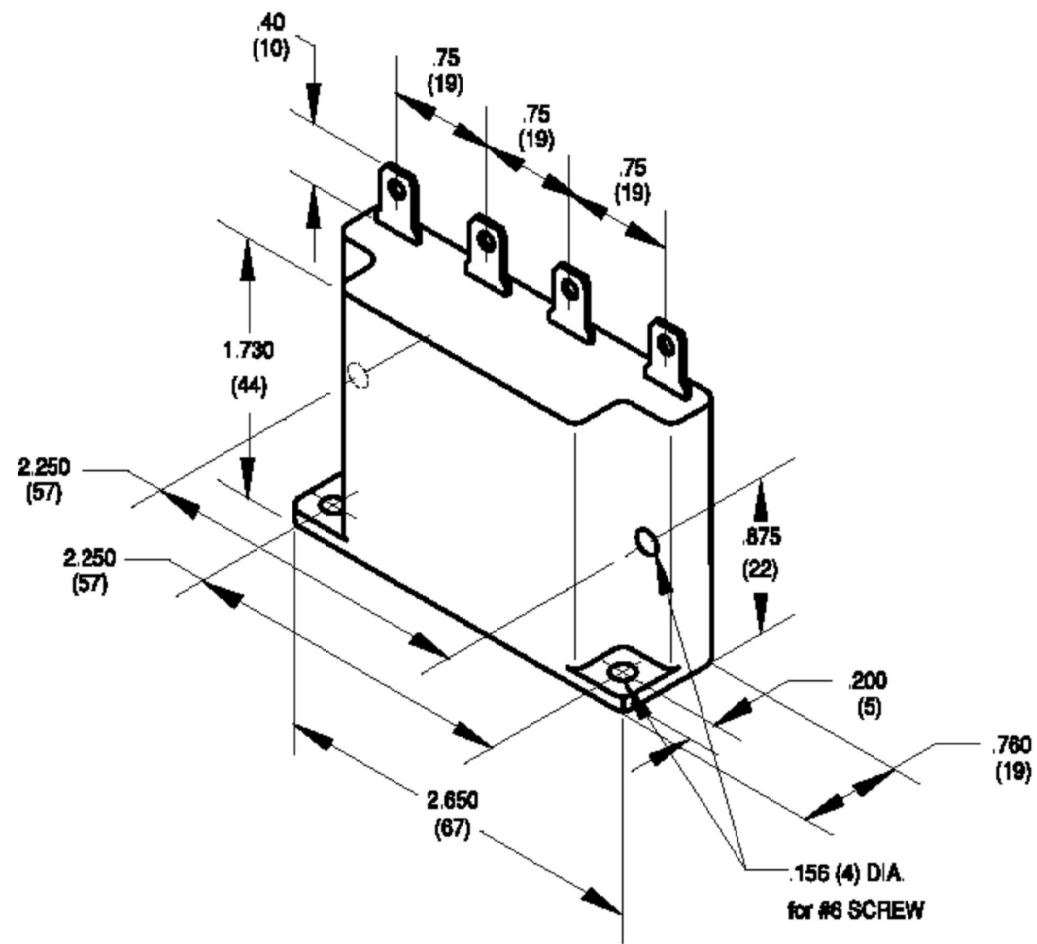
Mode



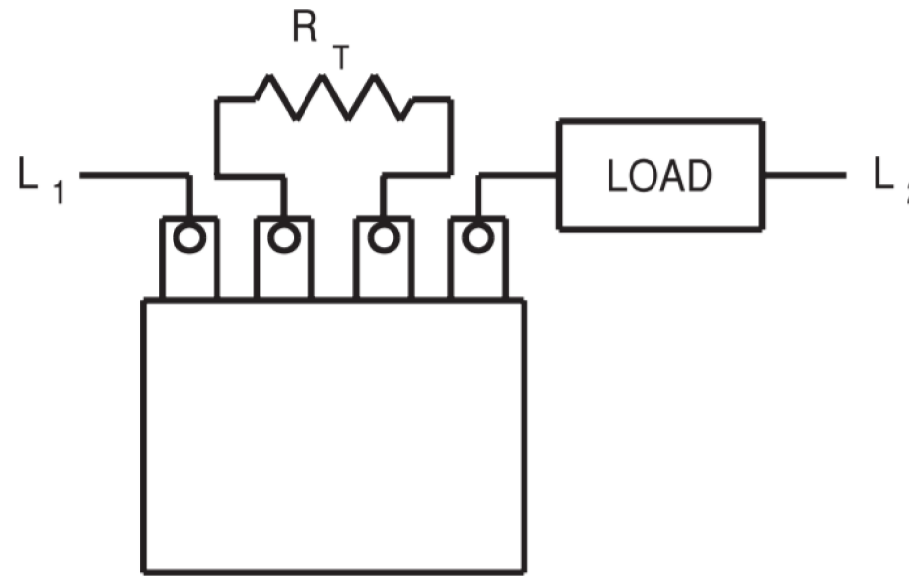
On-Delay

Input Voltage

24-240VAC or VDC



Outline Dimensions



Wiring Diagram

ALL DIMENSIONS ARE IN INCHES(MM).

THIS DRAWING IS A CONTROLLED DOCUMENT.		DWN	VM	13AUG2019	TE Connectivity Ltd.			
		CHK	RV	13AUG2019				
		APVD	DH	13AUG2019				
DIMENSIONS: INCHES 		TOLERANCES UNLESS OTHERWISE SPECIFIED: 0 PLC ± - 1 PLC ± - 2 PLC ± - 3 PLC ± - 4 PLC ± - ANGLES ± -			NAME VTM-1 SERIES, ON-DELAY, TIMING MODULE			
MATERIAL		FINISH			PRODUCT SPEC	-		
					APPLICATION SPEC	-		
					WEIGHT	-		
					CUSTOMER DRAWING	SCALE	NTS	
					SIZE	A3	CAGE CODE	-
					DRAWING NO	C=VTM1-SERIES		
					RESTRICTED TO	-		
					SHEET	1	OF 1	
					REV	A		