

P	LTR	DESCRIPTION	DATE	DWN	APVD
A		INITIAL DRAWN	07AUG2019	RV	DH

TR14 * * * *

NOTES:

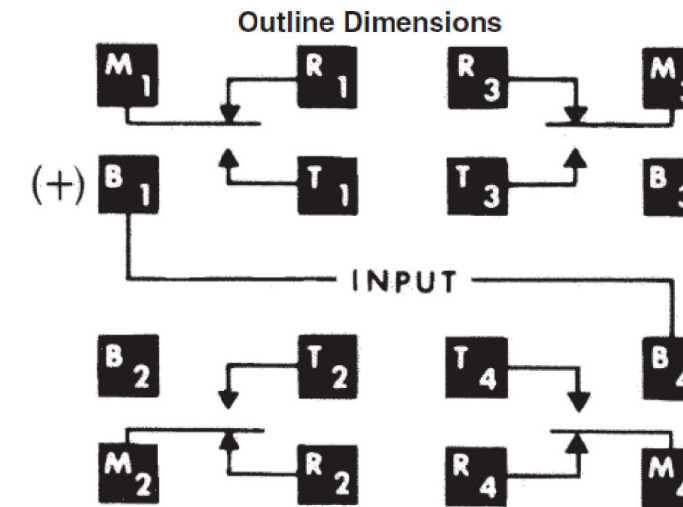
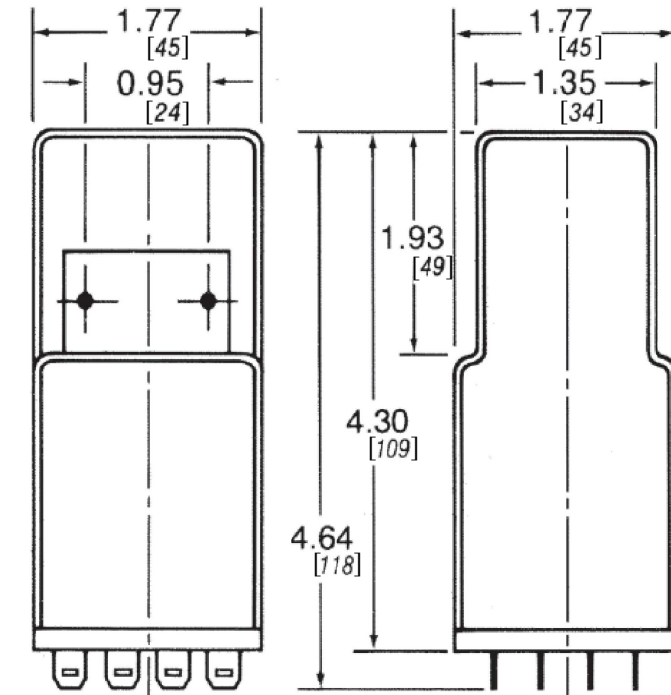
- FOR TIMING MODULE DATA SEE DWG. 34100-00.
- FOR SCHEMATIC DIAGRAM SEE DWG. 34180-00.
- FOR DIELECTRIC TEST OF COILS SEE TP-GR-02.

CODE	OPERATING VOLTAGE	CODE	TIMING ADJ.	CODE	TIME RANGE	CODE	OPTION
B	12 VDC	1	FIXED	A	.15 - 3 SEC.	N	BLOWOUT DEVICE
D	125 VDC	3	INTERNAL POT.	B	.55 - 15 SEC.		
I	120 V, 50/60 Hz			C	1 - 30 SEC.		
E	110 VDC			D	2 - 60 SEC.		
				E	4 - 120 SEC.		
				G	10 - 300 SEC.		
				I	2 - 60 MIN.		
				N	1 - 30 MIN.		

CODE	DESCRIPTION	PART NO.
E1	110 VDC, FIXED	34101-01
B1	24 VDC, FIXED	34101-02
D1	125 VDC, FIXED	34101-03
I1	120 V, 50/60 Hz. FIXED	34101-04
E3	110 VDC, INT. POT. ADJ.	34101-09
B3	24 VDC, INT. POT. ADJ.	34101-10
D3	125 VDC, INT. POT. ADJ.	34101-11
I3	120 V, 50/60 INT. POT. ADJ.	34101-12
E1N	110 VDC, FIXED W/BLOWOUT	34101-13
B1N	24 VDC, FIXED W/BLOWOUT	34101-14
D1N	125 VDC, FIXED W/BLOWOUT	34101-15
I1N	120 V, 50/60 Hz. FIXED W/BLOWOUT	34101-16
E3N	110 VDC, INT., W/BLOWOUT	34101-17
B3N	24 VDC, INT., W/BLOWOUT	34101-18
D3N	125 VDC, INT., W/BLOWOUT	34101-19
I3N	120 V, 50/60 Hz. INT., W/BLOWOUT	34101-20

TIMING MODULE ASSEMBLY			
CODE	PART NO.	*ALT. ASSY.#	
B1A/B3A	34100-07	37712-01	1472114-1
B1B/B3B	34100-08	37712-02	1472114-2
B1C/B3C	34100-09	37712-03	1472114-3
B1D/B3D	34100-10	37712-04	1472114-4
B1E/B3E	34100-11	37712-05	1472114-5
B1G/B3G	34100-12	37712-06	1472114-6
B1I/B3I	34100-26	37712-07	1472114-7
B1N/B3N	34100-30	37712-08	1472114-8
D1A/D3A	34100-19	37713-01	1472115-1
D1B/D3B	34100-20	37713-02	1472115-2
D1C/D3C	34100-21	37713-03	1472115-3
D1D/D3D	34100-22	37713-04	1472115-4
D1E/D3E	34100-23	37713-05	1472115-5
D1G/D3G	34100-24	37713-06	1472115-6
D1I/D3I	34100-28	37713-07	1472115-7
D1N/D3N	34100-32	37713-08	1472115-8

ACCESSORIES		
CATALOG CODE	DESCRIPTION	PART NO.
CR0064	REAR CONNECTED SOCKET WITH Q.C. TERMINAL	34140-01
CR0191	REAR CONNECTED SOCKET WITH SCREW TERMINAL	34140-02
CR0179	EXTRACTING HANDLE	34141-01
	MULTIPLE SOCKET	34058-01
	HARDWARE FOR MULTIPLE SOCKET	34065-01
CR0066	FRONT TERMINAL SOCKET WITH Q.C. TERMINAL	34142-01
CR0067	FRONT TERMINAL SOCKET WITH SCREW TERMINAL	34142-02
	SURFACE MOUNTING SOCKET, PACKAGED	34071-01
CR0189	LOCKING SPRING KIT	34143-01
	LOCKING SPRING	34069-01
CR0070	LOCKING SPRING KIT	34144-01
	KEY PLUG	34072-01
CR0090	LOCKING SPRING KIT	34145-01
CR0091	DUAL REAR CONNECTED SOCKET, SOLDER TERMINAL	34146-01
CR0092	INTERLOCKING PINS, BAGGED (100)	34092-01
CR0095	SURFACE MOUNTING SOCKET, MODIFIED, PACKAGED	34095-01
CR0001	RELAY SOCKET KIT	34122-01
CR0002	RELAY SOCKET KIT	34121-01
CR0111	RETAINING SPRING KIT	34123-01
CR0188	ORIENTING PIN (SQUARE)	34007-01
CR0133	LOCKING SPRING KIT	34147-01
CR0155	LOCKING SPRING KIT	34148-01



Wiring Diagram (Bottom View)

NOTE ● MAY USED AS ALTERNATE CONSTRUCTION

Ordering Information

Typical Part No. > **TR 1 4 B 1 A N**

- Basic Series:**
TR = Timing control relay
- Operation:**
1 = On-delay
- Output:**
4 = 4PDT (4 form C)
- Operating Voltage:**
B = 24VDC D = 215VDC I = 120VAC, 50/60 Hz.
- Timing Adjustment:**
1 = Internal fixed. 3 = Internal potentiometer.
- Timing Range:**
A = .15 to 3 sec. C = 1 to 30 sec. E = 4 to 120 sec. I = 2 to 60 min.
B = .55 to 15 sec. D = 2 to 60 sec. G = 10 to 300 sec. N = 1 to 30 min.
- Options:**
N = Magnetic blow-out device.

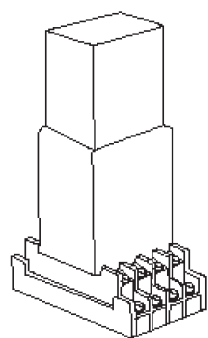
ALL DIMENSIONS ARE IN INCHES[MM].

THIS DRAWING IS A CONTROLLED DOCUMENT.		DWN	RV	07AUG2019		TE Connectivity		
		CHK	RV	07AUG2019		NAME		
		APVD	DH	07AUG2019		TR, TIME DELAY RELAY		
		PRODUCT SPEC				-		
		APPLICATION SPEC			-			
		WEIGHT			-			
DIMENSIONS: INCHES		TOLERANCES UNLESS OTHERWISE SPECIFIED:		SIZE		CAGE CODE	DRAWING NO	RESTRICTED TO
		0 PLC ± - 1 PLC ± - 2 PLC ± - 3 PLC ± - 4 PLC ± - ANGLES ± -		A3		-	©-TR-SERIES	-
MATERIAL		FINISH		CUSTOMER DRAWING		SCALE	SHEET	REV
				NTS		1 of 3	A	

P	LTR	DESCRIPTION	DATE	DWN	APVD
-	-	SEE SHEET 1	-	-	-

Accessories for GP/ML/TR Series Control Relays

Front Connected Sockets

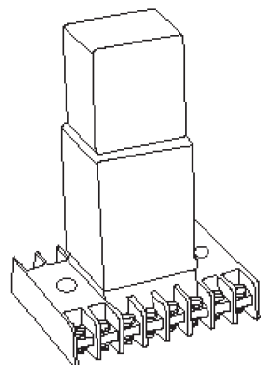


Cat. No. CR0001

With captive clamp terminals

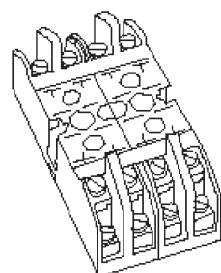
Cat. No. CR0002

With (#6) binding head screws



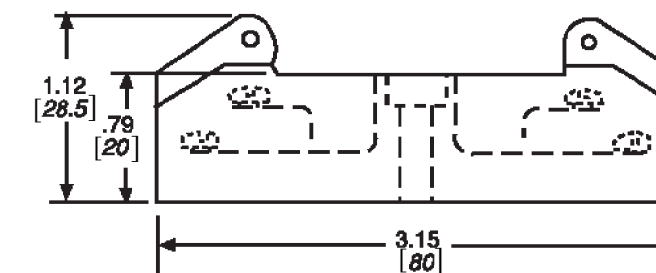
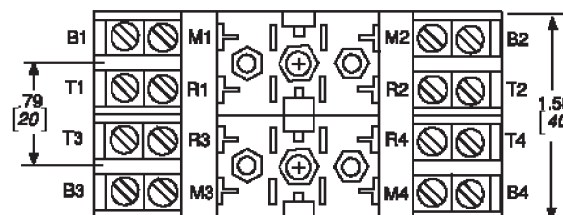
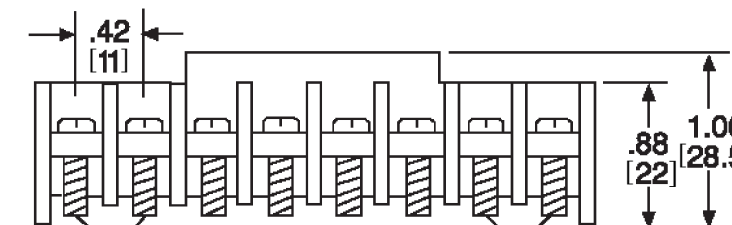
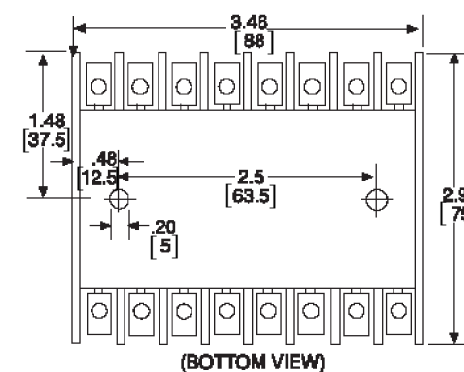
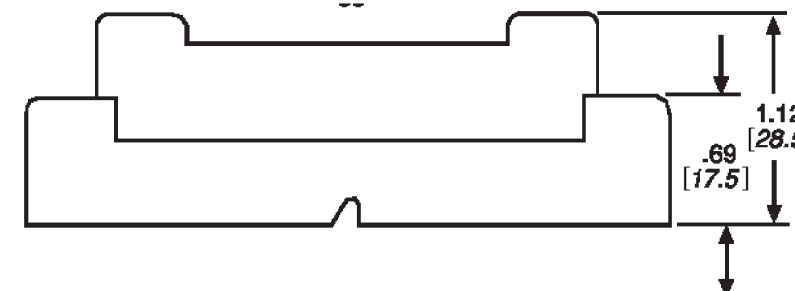
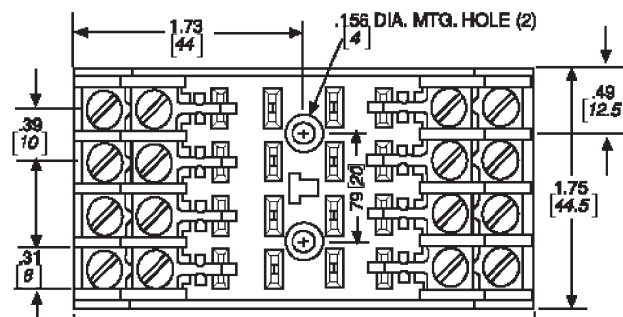
Cat. No. CR0095

With (#6) screw terminals



Cat. No. CR0067

With (#6) screw terminals



ALL DIMENSIONS ARE IN INCHES[MM].

THIS DRAWING IS A CONTROLLED DOCUMENT.		DWN	RV	07AUG2019	 TE Connectivity	NAME		TR, TIME DELAY RELAY			
DIMENSIONS: INCHES		CHK	RV	07AUG2019		PRODUCT SPEC		-			
		APVD	DH	07AUG2019		APPLICATION SPEC		-			
TOLERANCES UNLESS OTHERWISE SPECIFIED:		MATERIAL		WEIGHT		SIZE	CAGE CODE	DRAWING NO	RESTRICTED TO		
0 PLC ± - 1 PLC ± - 2 PLC ± - 3 PLC ± - 4 PLC ± - ANGLES ± - FINISH -		-		-		A3	-	©-TR-SERIES	-		
CUSTOMER DRAWING						SCALE	NTS	SHEET	2 of 3	REV	A

THIS DRAWING IS UNPUBLISHED.

RELEASED FOR PUBLICATION

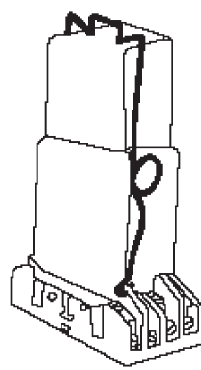
REVISIONS

© COPYRIGHT - TE Connectivity Ltd.

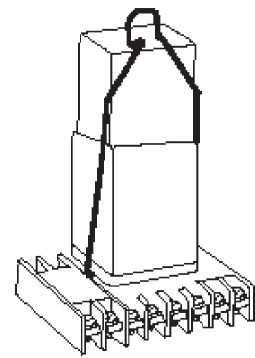
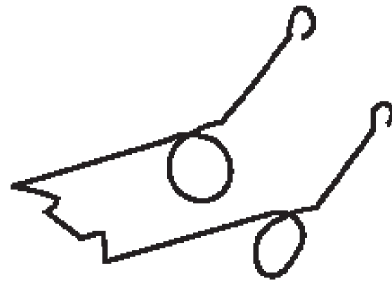
ALL RIGHTS RESERVED.

P	LTR	DESCRIPTION	DATE	DWN	APVD
-	-	SEE SHEET 1	-	-	-

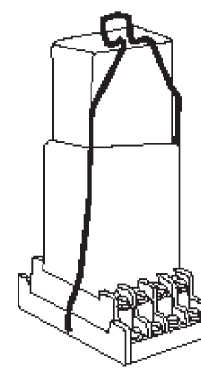
Hold Down (Locking) Springs



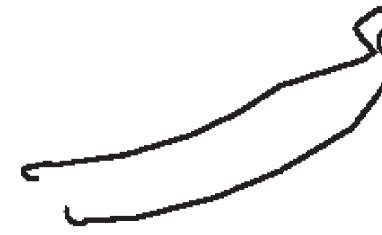
Cat. No. CR0069
For socket: CR0067



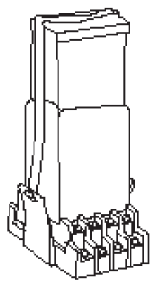
Cat. No. CR0070
For socket: CR0095



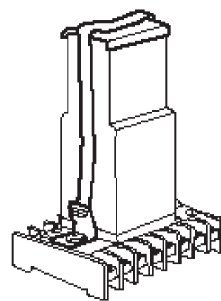
Cat. No. CR0111
For sockets: CR0001 & CR0002



Heavy-duty Hold Down (Locking) Straps



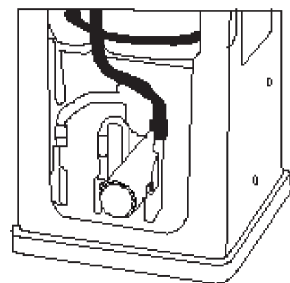
***Cat. No. CR0133**
For socket: CR0001 & CR0002



***Cat. No. CR0155**
For socket: CR0095

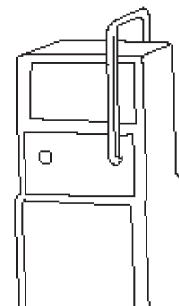
* Catalog number includes strap, strap plate and necessary brackets.

Magnetic Blowout Device


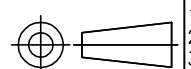


Cat. No. CR0190
Reduces arcing on the relay contacts when they make or break contact, either upon energizing or de-energizing, resulting in less contact degradation. Extends the life of the contact.

Extracting Handle



Cat. No. CR0179
Used to remove GP, ML and TR units from mounting bases.

THIS DRAWING IS A CONTROLLED DOCUMENT.		DWN	RV	07AUG2019	 TE Connectivity
		CHK	RV	07AUG2019	
		APVD	DH	07AUG2019	
DIMENSIONS: INCHES	TOLERANCES UNLESS OTHERWISE SPECIFIED:	NAME		TR, TIME DELAY RELAY	
	0 PLC ± -	PRODUCT SPEC		-	
	1 PLC ± -	APPLICATION SPEC		-	
	2 PLC ± -	SIZE	CAGE CODE	DRAWING NO	RESTRICTED TO
	3 PLC ± -	A3	-	©-TR-SERIES	-
	4 PLC ± -	CUSTOMER DRAWING		SCALE	SHEET
	ANGLES ± -			NTS	3 of 3
MATERIAL	FINISH			REV	A
-	-				