

THIS DRAWING IS UNPUBLISHED.

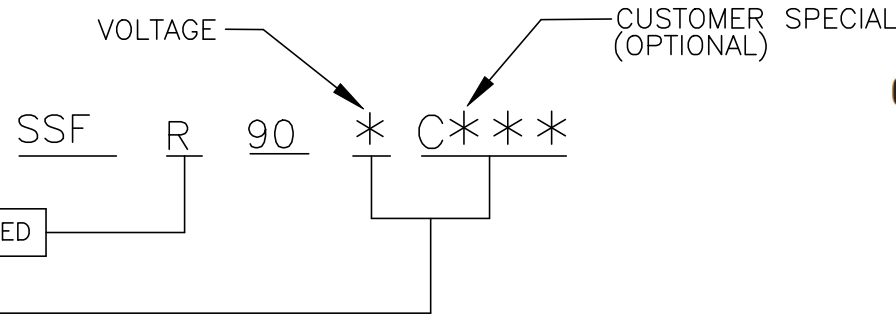
RELEASED FOR PUBLICATION

© COPYRIGHT - TE Connectivity Ltd.

ALL RIGHTS RESERVED.

REVISIONS

P	LTR	DESCRIPTION	DATE	DWN	APVD
	A	INITIAL DRAWING	08AUG19	VM	DH



CODE	BASIC ASSY	BASIC ASSY PART NO	PKG ASSY PART NO
X	UNIVERSAL	50333-01	50334-01
A	120V, 50/60 Hz	50333-04	
B	240V, 50/60 Hz	50333-05	
E	24V, 50/60 Hz	50333-02	
F	48V, 50/60 Hz	50333-03	
N	48VDC	50333-07	
O	24VDC	50333-06	
P	125VDC	50333-08	
XC926	WESTINGHOUSE PROTMR	50333-09	53064-01

ACCESSORIES		
CODE	DESCRIPTION	PART NO.
UTRA	RELAY, 120VAC	50341-01
UTRB	RELAY, 240VAC	50341-02
UTRE	RELAY, 24VAC	50341-03
UTRF	RELAY, 48VAC	50341-04
UTRN	RELAY, 48VDC	50341-05
UTRO	RELAY, 24VDC	50341-06
UTRP	RELAY, 125VDC	50341-07

Ordering Information

SSF
Series SSF
Universal
Timer

R
R = UL
Recognized
Component

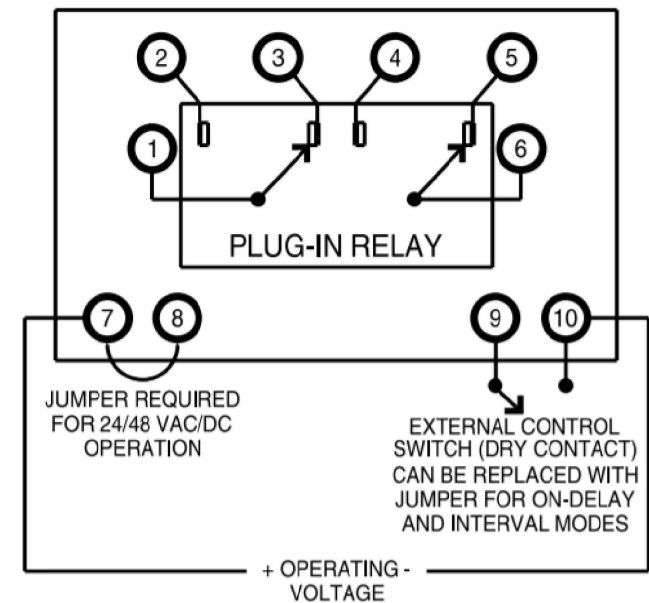
90
Operating Mode 90
Multiple modes -
On-Delay
Off-Delay
Interval
Latching Interval

A
Operating Voltage
(+10%, -15%)
A = 120VAC, 50/60 Hz.
B = 240VAC, 50/60 Hz.
E = 24VAC, 50/60 Hz.
F = 48VAC, 50/60 Hz.
N = 48VDC
O = 24VDC
P = 125VDC
X = No factory-installed relay.†

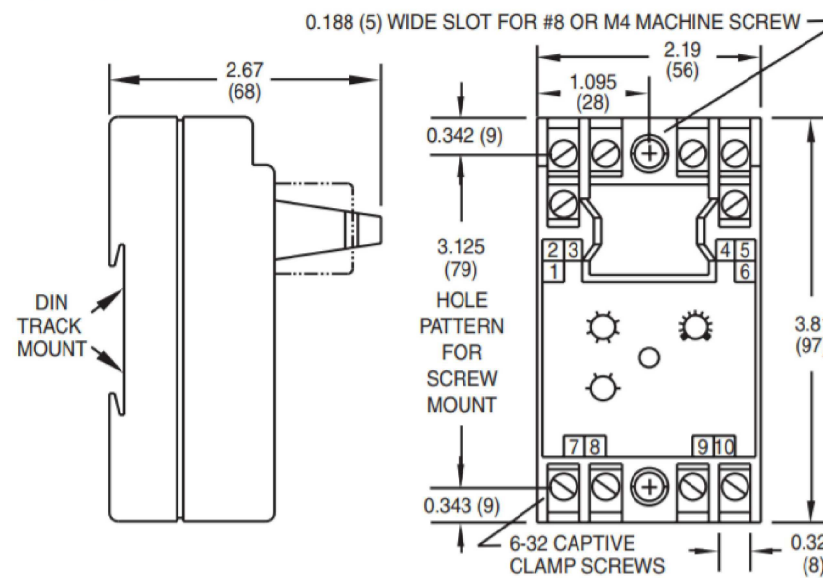
† Voltage determined by customer-supplied relay. Only relays that operate on the above-listed voltages should be used. Timer operation using other relay voltages is not recommended.

Authorized distributors are likely to stock the following:

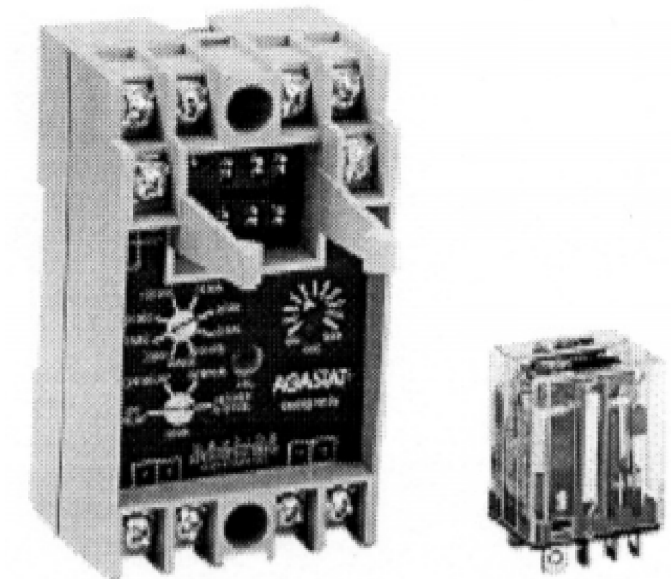
SSFR90A
SSFR90X



Wiring Diagram (Top View)



Outline Dimensions



NOTE:

- FOR SCHEMATIC DIAGRAM SEE DRAWING 50348-00.
- TEST PER TP-SSF-03.

THIS DRAWING IS A CONTROLLED DOCUMENT.		DWN	VM	08AUG2019	TE Connectivity		
		CHK	RV	08AUG2019			
		APVD	DH	08AUG2019			
DIMENSIONS: INCHES		TOLERANCES UNLESS OTHERWISE SPECIFIED:		NAME		SSF(AGASTAT)	
		0 PLC ± -		PRODUCT SPEC		-	
		1 PLC ± -		APPLICATION SPEC		-	
MATERIAL		FINISH		WEIGHT		RESTRICTED TO	
-		-		-		-	
CUSTOMER DRAWING				SIZE	A3	CAGE CODE	-
				DRAWING NO	C=SSF(AGASTAT)		REV
				SCALE	NTS	SHEET	1 of 1
							A