

THIS DRAWING IS UNPUBLISHED.

RELEASED FOR PUBLICATION

REVISIONS

© COPYRIGHT - TE Connectivity Ltd.

ALL RIGHTS RESERVED.

P	LTR	DESCRIPTION	DATE	DWN	APVD
	A	INITIAL DRAWN	15NOV2019	RV	MB

### Operating Characteristics

#### Timing —

Operate Time — 5.0 ms max.  
Release Time — 5.0 ms max.

**Contact Bounce** — 5 ms max

#### Dielectric Withstanding Voltage —

Between Open Contacts — 350 Vrms 60 Hz  
Between Adjacent Contacts — 500 Vrms 60 Hz  
Between Contacts & Coil — 500 Vrms 60 Hz

#### Insulation Resistance —

1,000 megohms min. @ 500 Vdc

### Environmental Characteristics

#### Temperature Range —

-65°C to +125°C

#### Weight —

0.28 oz. (7.8 grms)

#### Vibration Resistance —

15 G's, 10 to 2,000 Hz

#### Shock Resistance —

100 G's, 6 ±1 ms

#### QPL Approval —

MIL-R-39016/40

### Standard Coil Data

Nom. Coil Voltage (Vdc)	Coil Resistance in Ohms ±10% @ 25°C	Pickup Voltage Vdc (Max.) @ 25°C	Pickup Voltage Vdc (Max.) @ 125°C	Drop-out Voltage Vdc (Min.) @ 25°C	Drop-out Voltage Vdc (Min.) @ -65°C	Nom. Coil Power (W) @ 25°C	Max. Coil Voltage	Coil Desig.
5.0	20	2.75	3.8	0.35	0.23	1.25	6.0	5
6.0	25	3.5	4.5	0.45	0.3	1.44	8.0	6
12.0	100	6.5	9.0	0.9	0.6	1.44	15.0	12
26.5	390	14.0	18.0	1.8	1.2	1.8	32.0	24

### Electrical Characteristics

#### Contact Arrangement —

4 Form C (4PDT)

#### Contact Material —

Stationary — Gold plated hardened silver alloy  
Moveable — Gold plated hardened silver alloy

#### Contact Resistance —

Before Life — 50 milliohms max. (measured at 10 mA @ 6 Vdc)  
After Life — 100 milliohms max. (measured @ 2 A @ 28 Vdc)

#### Mechanical Life Expectancy —

1 million operations min.

#### Coil Voltage —

6 to 26.5 Vdc

#### Coil Power —

2.6 watts max. @ 25°C

#### Duty Cycle —

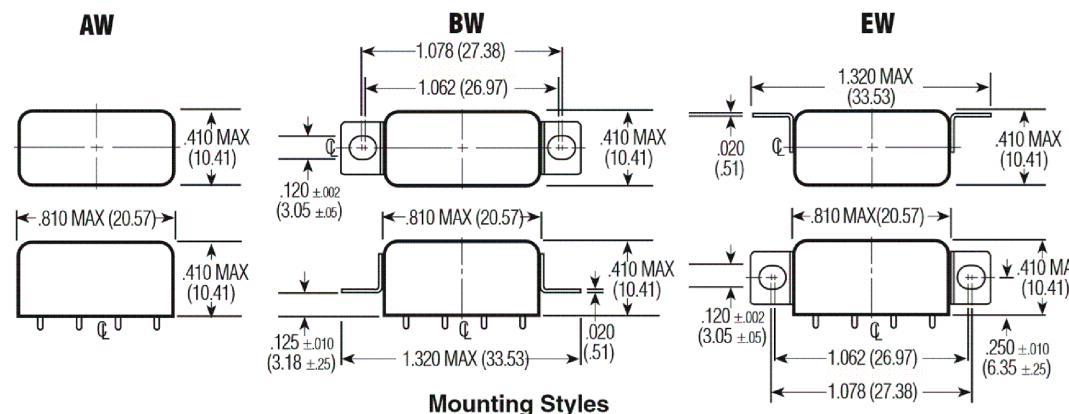
Continuous

#### Pick-up Voltage —

Approximately 50% of nominal coil voltage

#### Pick-up Sensitivity —

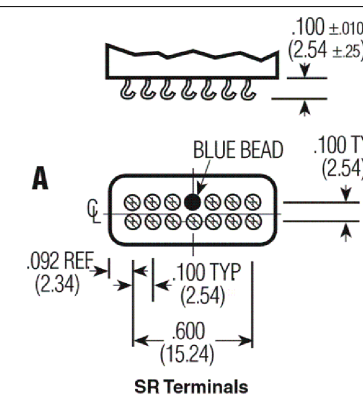
475 mW



Mounting Styles

### Contact Ratings

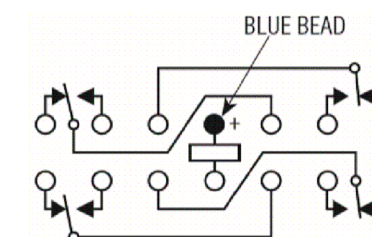
Contact Load	Type	Operations Min.
2 A @ 28 Vdc	Resistive	100,000
0.3 A @ 115 Vac, 60 Hz & 400 Hz	Resistive	100,000
0.75 A @ 28 Vdc	Inductive (200mH)	100,000
0.1 A @ 28 Vdc	Intermediate	50,000
0.2 A @ 28 Vdc	Lamp	100,000
10 µA @ 50 mV	Low Level	1,000,000



SR Terminals

### SR Four Pole Half Size High Performance Relay

Qualified to MIL-R-39016/40



Terminal View

### Product Facts

- Hermetically sealed
- Up to 2 amps switching
- High shock & vibration ratings
- Optional terminals & mounting styles
- 4 form C Hi-density design

### Specifying a Part Number Example:

Type                      Mountings                      Contacts                      Coils                      Terminals  
SR                              BW-                              4C-                              24                              B

ALL DIMENSIONS ARE IN INCHES(MM).

THIS DRAWING IS A CONTROLLED DOCUMENT.		DWN RV 15NOV2019	TE Connectivity		
DIMENSIONS: INCHES		CHK RV 15NOV2019			
TOLERANCES UNLESS OTHERWISE SPECIFIED:		APVD MB 15NOV2019	NAME C-SR-BW-SERIES		
0 PLC ± -		PRODUCT SPEC	-		
1 PLC ± -		APPLICATION SPEC	-		
2 PLC ± -		SIZE	A3	CAGE CODE	-
3 PLC ± -		DRAWING NO	C-SR-BW-SERIES		RESTRICTED TO
4 PLC ± -		WEIGHT	-		-
ANGLES ± -		CUSTOMER DRAWING			
FINISH		SCALE NTS		SHEET 1 OF 1	REV A