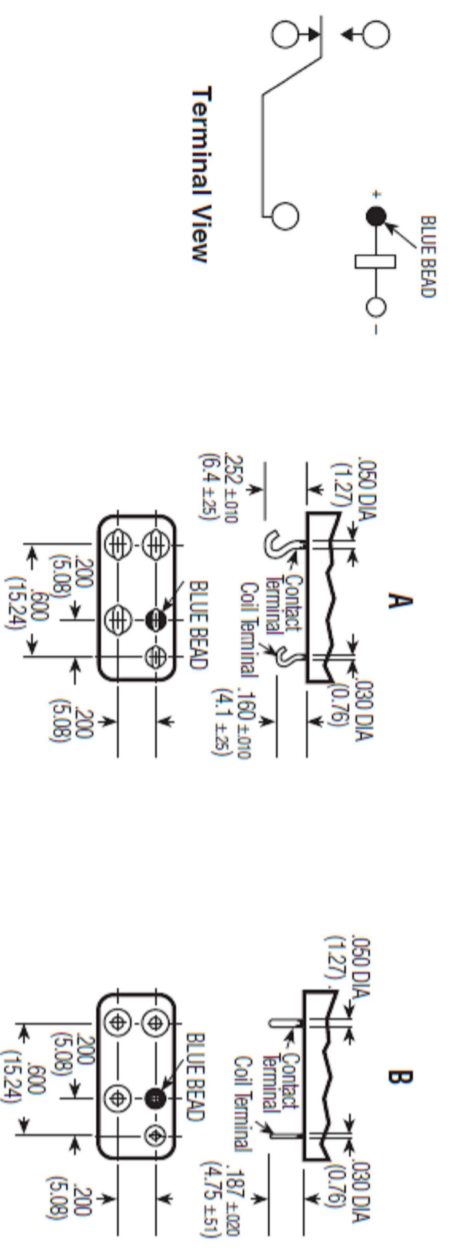


C

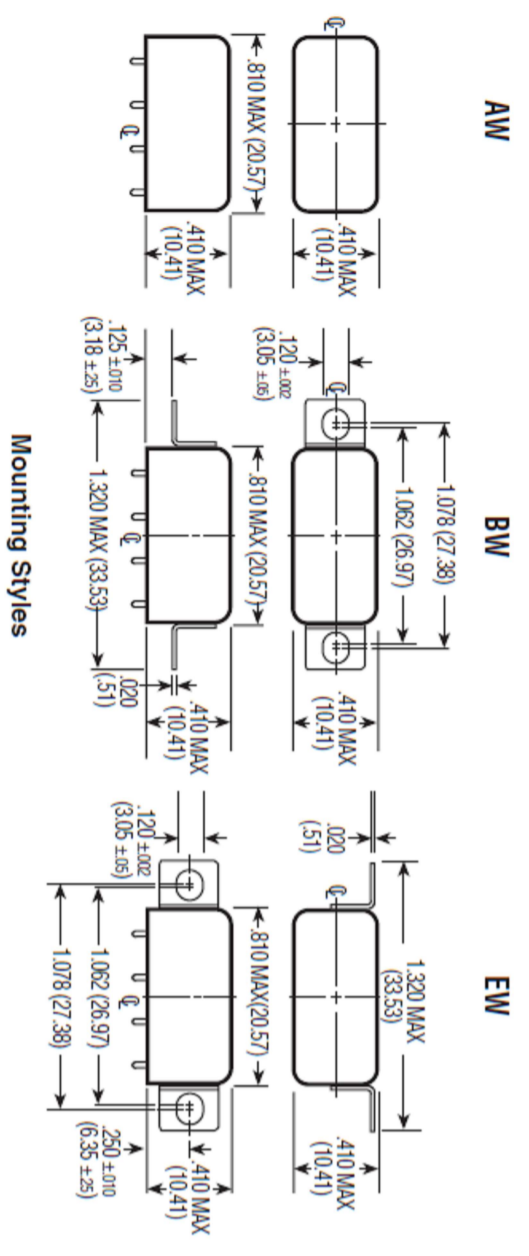
Single Pole, Half Size High Performance Relay



- Product Facts**
- Hermetically sealed
 - Up to 10 amps switching
 - High shock & vibration ratings
 - Optional terminals & mounting styles



Terminals



Mounting Styles

ALL DIMENSIONS ARE IN INCHES(MM)

REVISIONS					
P	LTR	DESCRIPTION	DATE	DWN	APVD
A		INITIAL DRAWING	08JUL2020	VR	MB

- Electrical Characteristics**
- Contact Arrangement** — 1 Form C (SPDT)
 - Contact Material** — Stationary — Hardened silver alloy
Moveable — Hardened silver alloy
 - Contact Resistance** — Before Life — 50 Milliohms max. (measured at 10 mA @ 6 Vdc)
After Life — 100 Milliohms max. (measured @ 1 A @28 Vdc)
 - Contact Rating** — Contact Load — 10 A 28 Vdc
Type — Resistive
Operations min. 50,000
 - Mechanical Life Expectancy** — 1 million operations min.
 - Coil Voltage** — 6 to 26.5 Vdc
 - Coil Power** — 1.4 watts max. @ 25°C
 - Duty Cycle** — Continuous
- Environmental Characteristics**
- Temperature Range** — -65°C to +125°C
 - Weight** — 0.28 oz. (8 grams) max.
 - Vibration Resistance** — 20 G's, 10 to 2,000 Hz
 - Shock Resistance** — 100 G's, 6 ±1 ms
Designed To — MIL-R-39016
- Operational Characteristics**
- Operate Time** — 5.0 ms max.
 - Release Time** — 5.0 ms max.
 - Contact Bounce** — 5.0 ms max.
 - Dielectric Withstanding Voltage** — Between Open Contacts — 500 Vrms 60 Hz
Between Adjacent Contacts — 1000 Vrms 60 Hz
Between Contacts and Coils — 1000 Vrms 60 Hz
 - Insulation Resistance** — 1,000 megohms min. @ 500 Vdc
- Pick-up Voltage** — Approximately 50% of nominal coil voltage
- Pick-up Sensitivity** — 260 mW

Standard Coil Data

Nom. Coil Voltage (Vdc)	Coil Resistance In Ohms ±10% @ 25°C	Pickup Voltage (Vdc) (Max.) @ 25°C	Pickup Voltage (Vdc) (Max.) @ 125°C	Drop-out Voltage (Vdc) (Min.) @ 25°C	Drop-out Voltage (Vdc) (Min.) @ -65°C	Nom. Coil Power (W) @ 25°C	Max. Coil Voltage	Coil Design.
6.0	40	3.5	4.5	0.45	0.3	.9	8.0	6
12.0	160	6.5	9.0	0.9	0.6	.9	15.0	12
26.5	700	14.0	18.0	1.8	1.2	1.0	32.0	24

Specifying a Part Number Example: **Type C Mountings BW- Contacts 1C- Coils 24 Terminals B**

THIS DRAWING IS A CONTROLLED DOCUMENT.				DWN	08JUL2020	<p>TE Connectivity</p>			
DIMENSIONS: INCHES				VR	08JUL2020				
TOLERANCES UNLESS OTHERWISE SPECIFIED:				CHK	08JUL2020	<p>C-SERIES SINGLE POLE HALF SIZE HIGH PERFORMANCE RELAY</p>			
0 PLC ± .				RV	08JUL2020				
1 PLC ± .				APVD	08JUL2020				
2 PLC ± .				MB					
3 PLC ± .				PRODUCT SPEC		<p>SIZE A3</p> <p>CAGE CODE -</p> <p>DRAWING NO. C-C-SERIES</p>			
4 PLC ± .				APPLICATION SPEC					
FINISH ± .				WEIGHT -		<p>SCALE NTS</p> <p>SHEET 1 OF 1</p> <p>REV A</p>			
MATERIAL -				CUSTOMER DRAWING					