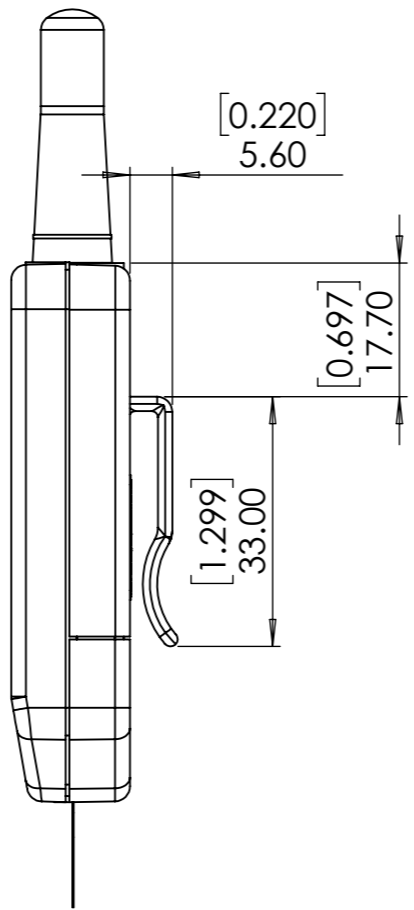
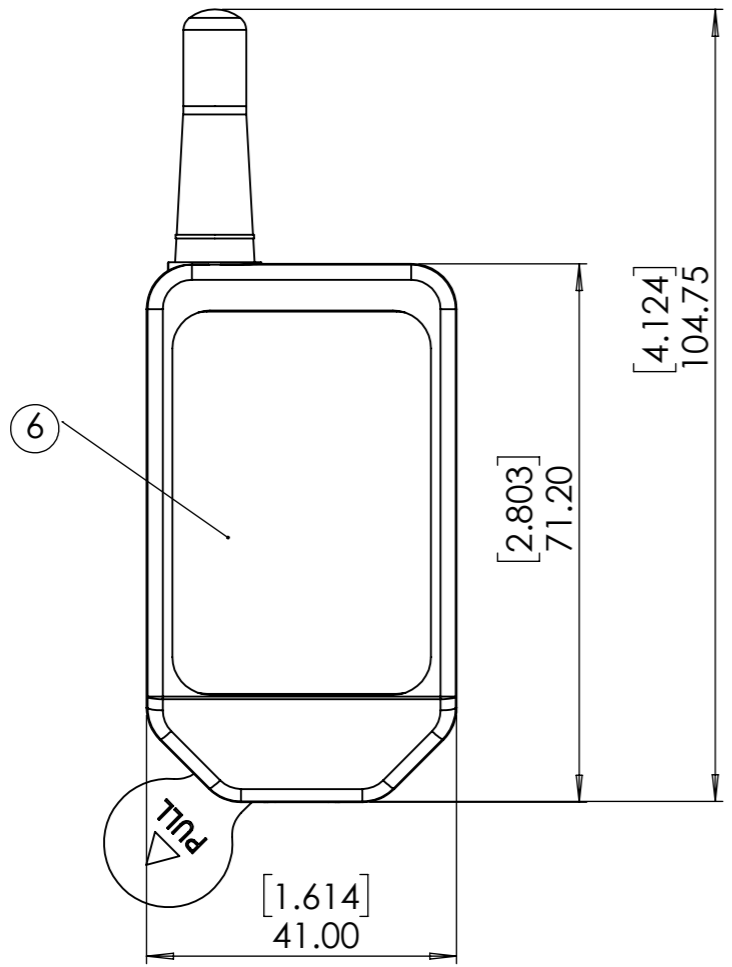
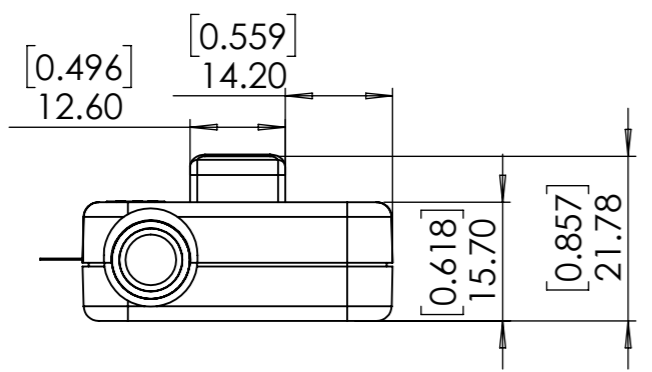


REVISIONS				
REV	DESCRIPTION	DATE	DWN	APVD
A	CUSTOMER DRAWING DRAWING RELEASE	10/13/2023	JH	CM



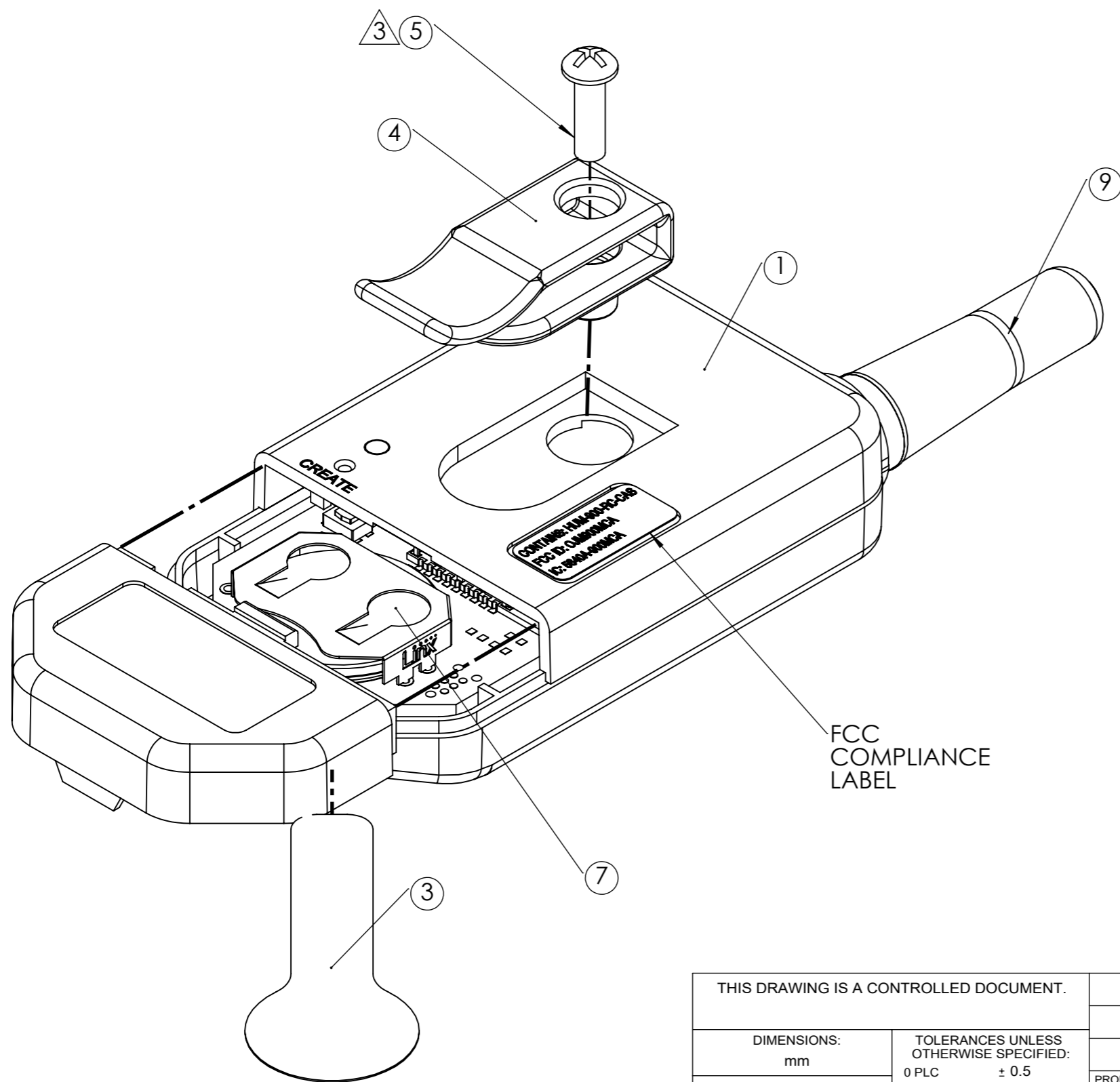
- MANUFACTURE TO BE COMPLIANT WITH EU RoHS DIRECTIVE, USE MATERIALS THAT DO NOT CONTAIN REACH SUBSTANCES OF VERY HIGH CONCERN 1000ppm, AND USE DRC CONFLICT-FREE SOURCED MATERIALS.
- ELECTRICAL SPECIFICATIONS** ARE SHOWN FOR REFERENCE ONLY. FOR OPERATING, PAIRING AND USAGE INSTRUCTIONS PLEASE SEE TE DATA SHEET AT LATEST REVISION
  - FREQUENCY: SEE TABLE
  - ELECTRONIC ASSEMBLY IAW IPC-A-610
  - FREQUENCY DESIGNATION REPRESENTED BY "FFF".
- ENVIRONMENT:**
  - USAGE TEMPERATURE: -40 TO 85°C
  - LR DESIGNATION IS IN REFERENCE TO THE CAPACITY FOR LONGER RANGE TRANSMISSION BASED ON THE STANDARD CP COUNTERPART WITH THE ADDITION OF AN ANTENNA. SEE DATA SHEET FOR MORE DETAILS.
- USAGE APPLICATION NOTES:**
  - TORQUE SCREW TO 4.0 IN-LB [0.45 N-m]. AVOID OVERTIGHTENING OF SCREW AND CAUSING DEFORMATION AT THE SIDE OF THE ENCLOSURE.
  - REMOVE BATTERY TAB BEFORE USE
  - REPLACE BATTERY WITH CR2032 COIN CELL WHEN APPLICABLE. SEE DATA SHEET FOR METHOD
  - AVOID LEAVING UNIT IN PLACES OF HIGH SOLAR LOADING TO PREVENT DAMAGE.
  - AVOID PLACES OF HIGH CHEMICAL CONTENT SUCH AS CHLORINE OR FUEL/HYDRAULIC VAPOR.
  - UNIT SHOULD NOT EXPERIENCE SIGNIFICANT SHOCK FROM DROPPING TO HARD SURFACES. USE BUMPER AND LANYARD KIT [OTX-ACC-KIT-HH-XX] IF THE APPLICATION REQUIRES THIS ACCESSORY.
  - THIS IS A GENERALLY MADE TO ORDER OEM PRODUCT. SEE YOUR SALES REPRESENTATIVE FOR DETAILS SUCH AS AVAILABLE COLORS AND BUTTON LAYOUTS FOR YOUR APPLICATION.
- PACKAGING NOTES:**
  - WRAP UNITS IN BUBBLE SLEEVE TO PROTECT FINISH.
  - PACK FLAT 10/ LOT BAG
  - PLACE IN CONTAINER OF 150 UNITS

TABULATION MATRIX		
TCPN	DESCRIPTION	PRODUCT REVISION
OTX-315-HH-LR8-MS	Remote MS 315MHz FHSS 8Btn XCVR FCC	D
OTX-418-HH-LR8-MS	Remote MS 418MHz FHSS 8Btn XCVR FCC	D
OTX-433-HH-LR8-MS	Remote MS 433MHz FHSS 8Btn XCVR FCC	D

THIS DRAWING IS A CONTROLLED DOCUMENT.

DIMENSIONS: mm	TOLERANCES UNLESS OTHERWISE SPECIFIED: 0 PLC ± 0.5 1 PLC ± 0.25 2 PLC ± 0.13 3 PLC ± 4 PLC ± ANGLES ± 30'
MATERIAL VAR ABS	FINISH

DWN JHAGER 10/13/23	 TE Connectivity
CHK CLEWIS 10/13/23	
APVD CMURPHY 10/13/23	
PRODUCT SPEC -	NAME HANDHELD REMOTE OTX TRANSMITTER [FFF]MHZ 8BTN HHLR TX FCC CERT
APPLICATION SPEC -	SIZE A3
WEIGHT g	CAGE CODE 00779
CUSTOMER DRAWING	DRAWING NO OTX-FFF-HH-LR8-MS
SCALE 1:1	RESTRICTED TO -
SHEET 1 OF 2	REV A



FCC COMPLIANCE LABEL

LIST OF ITEMS AND MATERIALS	
ITEM	DESCRIPTION
1	OTX HANDHELD LONG RANGE BODY
2	HANDHELD UNIT BATTERY COVER
3	BATTERY PROTECTION TAB (DISPOSABLE)
4	CLIP BELT SCR MOUNT ABS PLAS
5	SCREW PPH M3X10 STEEL ZINC
6	SWITCH MEMBRANE CUSTOM MP467 BACK
7	BATT LITHIUM 1.2V COIN 2032
8	ANTENNA LONG RANGE

THIS DRAWING IS A CONTROLLED DOCUMENT.		<b>TE</b> TE Connectivity	
DIMENSIONS: mm	TOLERANCES UNLESS OTHERWISE SPECIFIED: 0 PLC ± 0.5 1 PLC ± 0.25 2 PLC ± 0.13 3 PLC ± 4 PLC ± ANGLES ± 30'	PRODUCT SPEC	NAME HANDHELD REMOTE OTX TRANSMITTER [FFF]MHZ 8BTN HHLR TX FCC CERT
		APPLICATION SPEC	SIZE <b>A3</b>
MATERIAL	FINISH	WEIGHT g	CAGE CODE 00779
			DRAWING NO C-OTX-FFF-HH-LR8-MS
			RESTRICTED TO -
CUSTOMER DRAWING		SCALE 2:1	SHEET 2 OF 2
			REV A