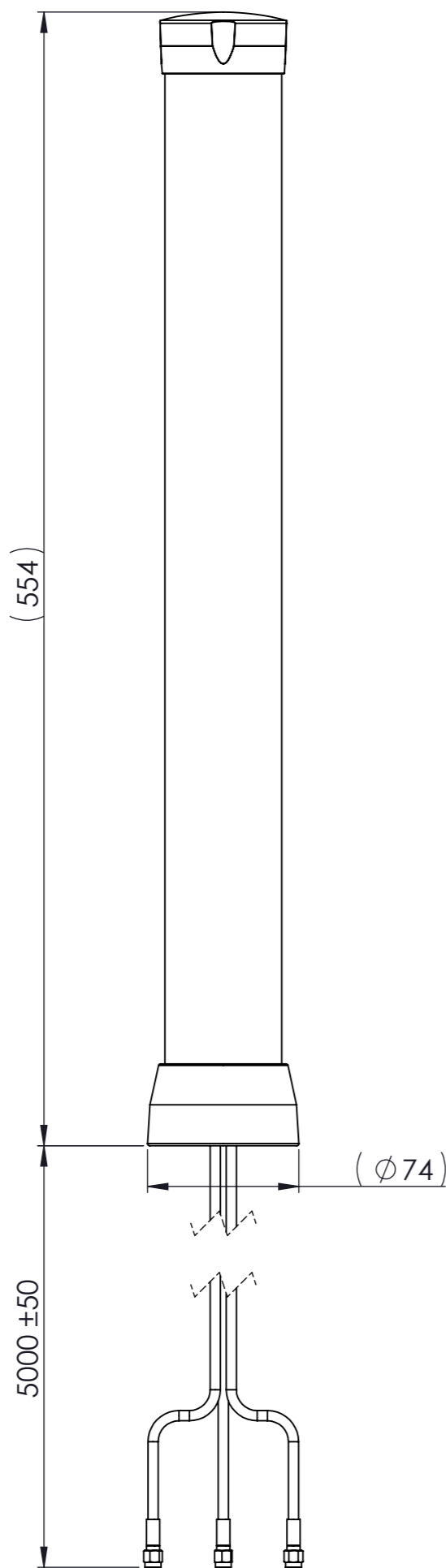


REVISIONS

REV	DESCRIPTION	DATE	DWN	APVD
A1	ECD-23-00016	13JAN2023	CYH	WT NG
A2	ECD-23-00144	18JUL2023	CYH	WT NG



Parameter	Performance			
Part Number	OPT61603G-500SMAM			
TCPN	L000320-02			
Frequency Bands, MHz	617-960	1427-2700	3300-4800	4900-6000
Peak Gain, dBi (Max)*	2.93	5.63	3.83	3.77
Total Efficiency (Average)*	77%	78%	63%	63%
VSWR (Average)**	<2.5:1			
ECC***	<0.1			
Nominal Impedance	50 Ohm			
Polarization	Linear, Vertical			
Azimuth Beam Width	360°, Omnidirectional			
Input Power, Max	10W			
Operating Temperature	-40°C ~ +85°C			
Storage Temperature	-40°C ~ +85°C			
Weight (Without mounting)	997g			
RF Connector	SMA, Male			
Radome	Polycarbonate, UV			
Cap & Base	ASA, UV			
Color	White			
Cable	LMR195 equivalent Black			
Cable Length	5m			
Wind Rating (Survival)	110mph			
Ingression Protection	IP67			
Material Compliance	RoHS			
GNSS SPEC				
Frequency, MHz	1559-1610			
Passive Gain	5dBic			
Active Gain	32dBic			
LNA Gain	28 ± 3dB			
Noise Figure	≤ 2.5dB			
OOB Rejection	698-960MHz >80dBc	1428-1511MHz >80dBc	1710-2700MHz >80dBc	4900-5800MHz >80dBc
Input Max Power	10dBm			
Current Consumption	8.5 ± 3mA (at 3.0V)			
DC Voltage	2.5~7V			

A2

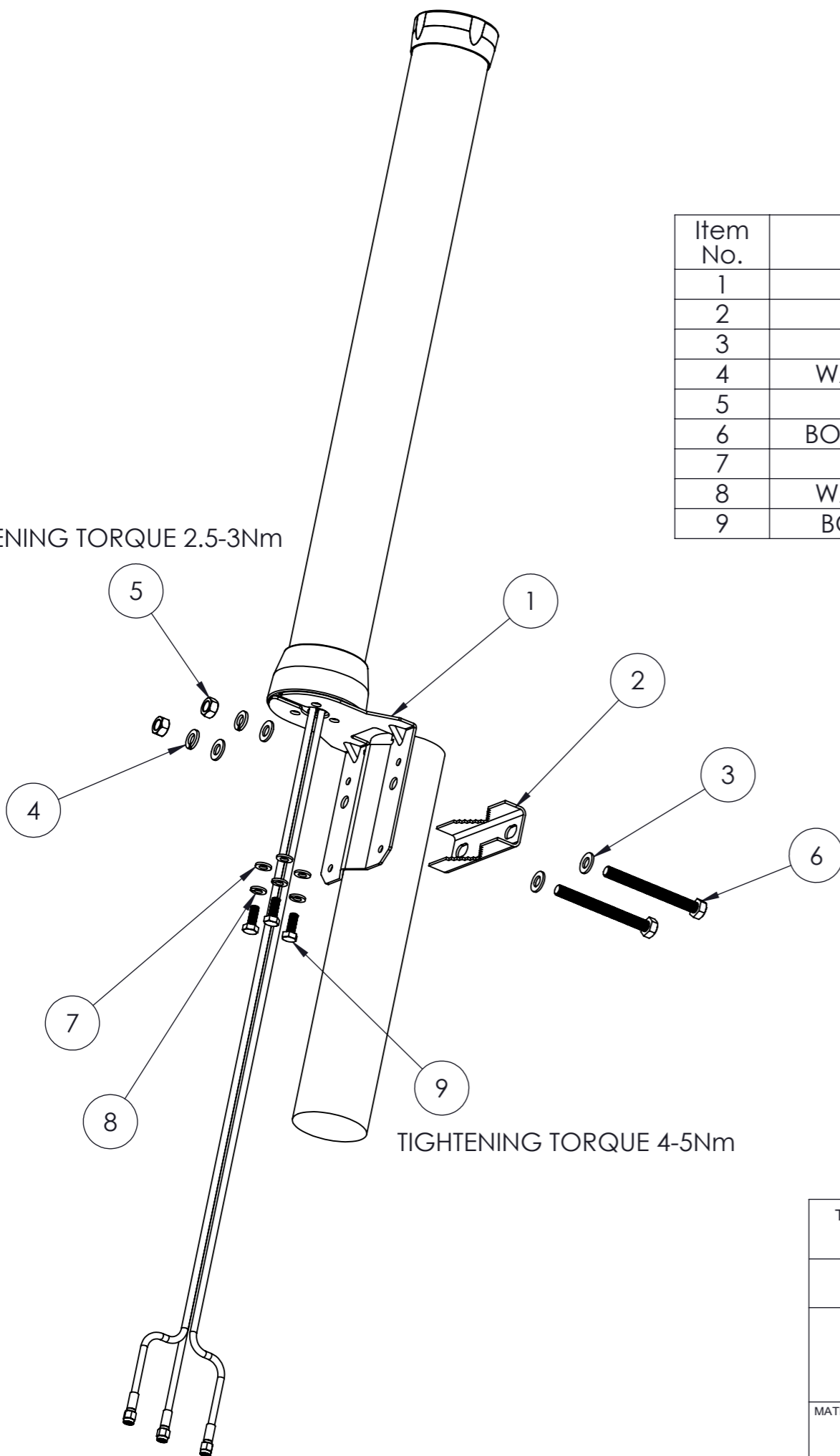
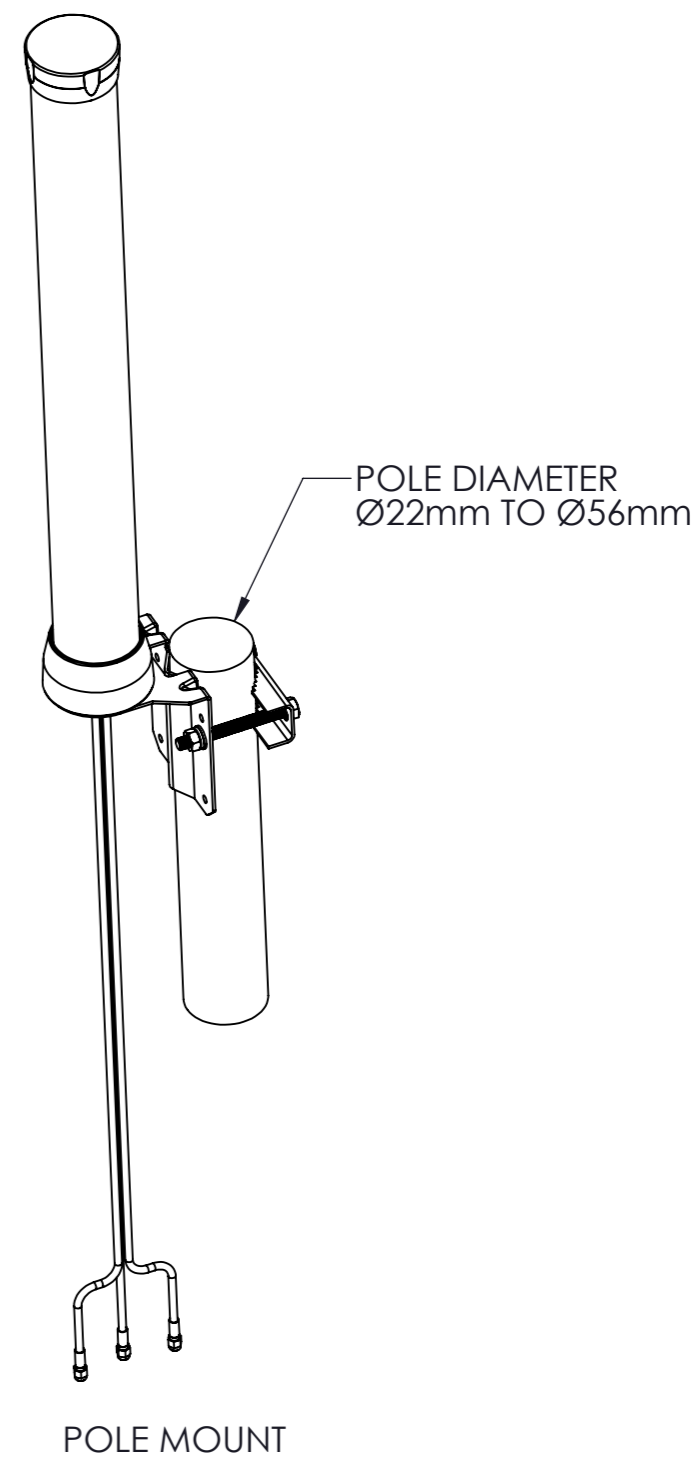
*Note: Data for Peak Gain and Total Efficiency is measured with 0.5m cable length
 **Note: VSWR data is measured with the antenna installed on the mounting bracket
 ***Note: Simulation data

THIS DRAWING IS A CONTROLLED DOCUMENT.		DWN CY HANG 04-JAN-2023		
		CHK RIZWAN KHAN 04-JAN-2023		
DIMENSIONS: mm		APVD WT NG 04-JAN-2023	NAME OMNI,2x2 MIMO BATON 617-960/1427-6000MHz	
TOLERANCES UNLESS OTHERWISE SPECIFIED:		PRODUCT SPEC 108-160799	RESTRICTED TO	
0 PLC ±0.5		APPLICATION SPEC -	SIZE A3	CAGE CODE 00779
1 PLC ±0.25		WEIGHT -	DRAWING NO C=L000320-02	SCALE 1:10
2 PLC ±0.13		CUSTOMER DRAWING	SHEET 1 OF 3	REV A2
3 PLC ±				
4 PLC ±				
ANGLES ±0.5°				
MATERIAL -	FINISH -			

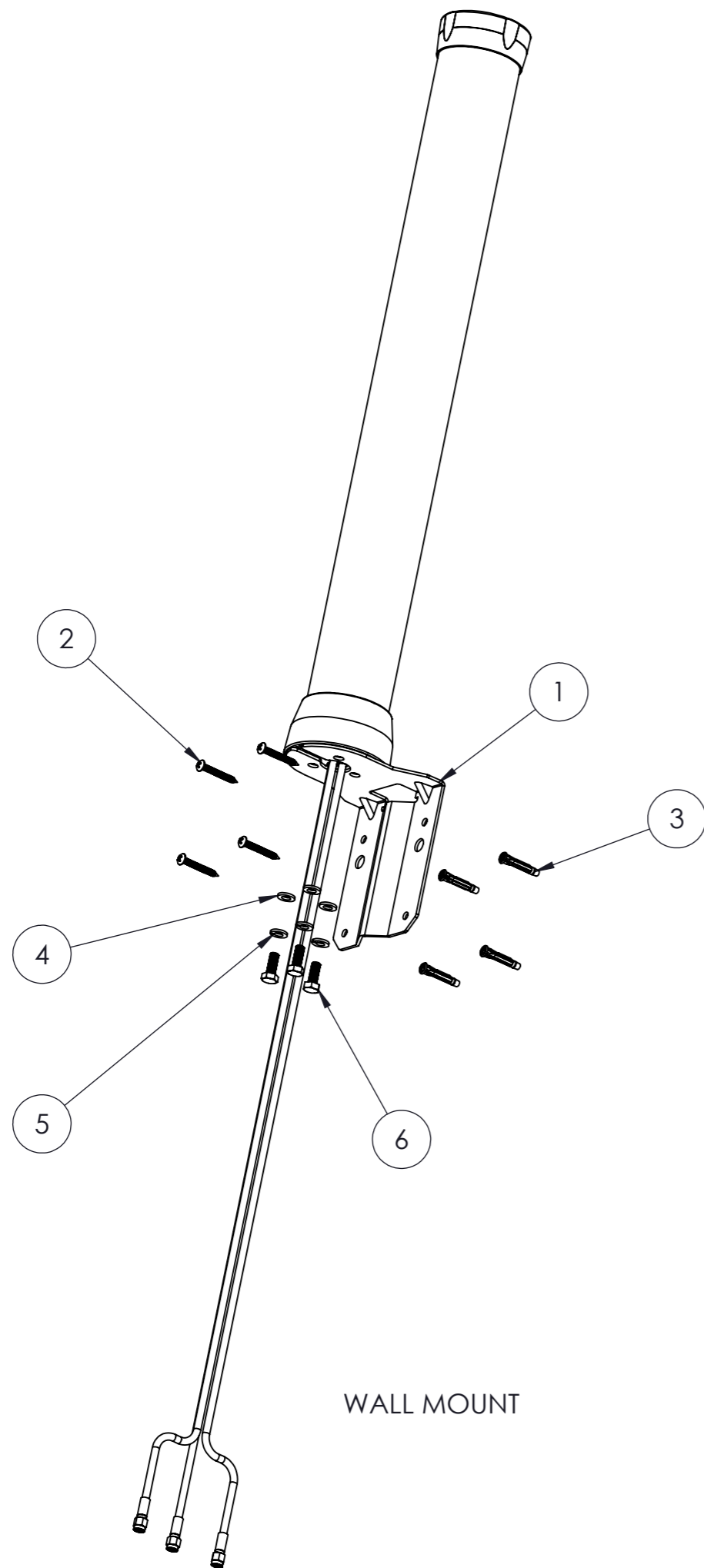
Item No.	DESCRIPTION	QUANTITY
1	MOUNT BRACKET	1
2	POLE CLAMP	1
3	WASHER,FLAT M8	4
4	WASHER,SPLIT LOCK M8	2
5	NUT,HEX M8x1.25	2
6	BOLT,HEX M8x1.25x80mm	2
7	WASHER,FLAT M6	3
8	WASHER,SPLIT LOCK M6	3
9	BOLT,HEX M6x1X16mm	3

TIGHTENING TORQUE 2.5-3Nm

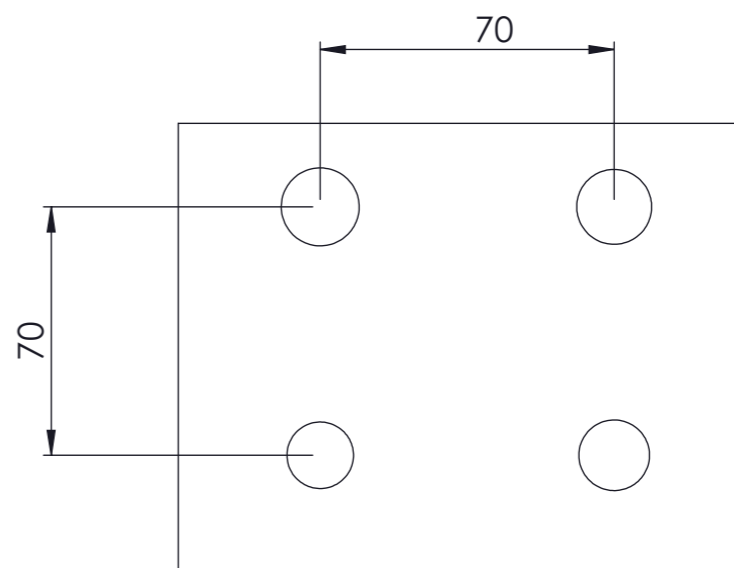
TIGHTENING TORQUE 4-5Nm



THIS DRAWING IS A CONTROLLED DOCUMENT.		DWN	04-JAN-2023		 TE Connectivity
		CHK	04-JAN-2023		
		APVD	04-JAN-2023		
DIMENSIONS: mm		TOLERANCES UNLESS OTHERWISE SPECIFIED:		NAME	
		0 PLC ± 0.5		OMNI,2x2 MIMO BATON 617-960/1427-6000MHz	
		1 PLC ± 0.25			
		2 PLC ± 0.13		PRODUCT SPEC	
		3 PLC ±		108-160799	
		4 PLC ±		APPLICATION SPEC	
		ANGLES ± 30'		-	
MATERIAL		FINISH		SIZE	
				A3	
		WEIGHT		CAGE CODE	
		g		00779	
		CUSTOMER DRAWING		DRAWING NO	
				C=L000320-02	
		SCALE		RESTRICTED TO	
		1:10			
		SHEET		REV	
		2 OF 3		A2	



Item No.	DESCRIPTION	QUANTITY
1	MOUNT BRACKET	1
2	SCREW,PHILIP 8-18x1-1/4	4
3	ANCHOR,TWIST ACTION 6-8x1-1/4	4
4	WASHER,FLAT M6	3
5	WASHER,SPLIT LOCK M6	3
6	BOLT,HEX M6x1X16mm	3



WALL HOLE DIMENSION

WALL MOUNT

THIS DRAWING IS A CONTROLLED DOCUMENT.		DWN	04-JAN-2023			TE Connectivity						
		CHK	04-JAN-2023			NAME OMNI,2x2 MIMO BATON 617-960/1427-6000MHz						
		APVD	04-JAN-2023									
DIMENSIONS: mm		TOLERANCES UNLESS OTHERWISE SPECIFIED: 0 PLC ± 0.5 1 PLC ± 0.25 2 PLC ± 0.13 3 PLC ± 4 PLC ± ANGLES ± 30°		PRODUCT SPEC	108-160799							
		MATERIAL		APPLICATION SPEC	-							
		FINISH		WEIGHT	g	SIZE	A3	CAGE CODE	00779	DRAWING NO	©=L000320-02	RESTRICTED TO
				CUSTOMER DRAWING			SCALE	1:10	SHEET	3 OF 3	REV	A2