

THIS DRAWING IS UNPUBLISHED.

RELEASED FOR PUBLICATION

REVISIONS

© COPYRIGHT - TE Connectivity Ltd.

ALL RIGHTS RESERVED.

P	LTR	DESCRIPTION	DATE	DWN	APVD
	A	INITIAL DRAWING	25SEP2019	VM	JR

**Contact Capacitance** —

Between Open Contacts — 0.5 pF  
Open Contacts to Ground — 1 pF

**Contact Resistance, Max.** —

KC-2 and KC-11 — 0.012 ohm  
KC-8 and KC-12 — 0.025 ohm

**Operate Time, Max.** — 15 ms

**Release Time, Max.** — 9 ms

**Shock, 11ms, 1/2 Sine (Peak)** —  
50 g

**Vibration** —

Peak — 10 g (55 to 500 Hz)

**Operating Ambient Temperature**

**Range** — -55°C to +125°C

**Mechanical Life** — 1 million cycles

**Weight, Nominal** —

85 g (3 oz.)

**Product Specifications for KC-2, KC-8, KC-11 and KC-12**

**Contact Arrangement** — SPDT

**Contact Form** — C

**Test Voltage, DC or 60 Hz (Peak)** —  
17 kV

**Rated Operating Voltage (Peak)** —

DC or 60 Hz — 15 kV

2.5 MHz — KC-2 and KC-11 — 12 kV

16 MHz — KC-2 and KC-11 — 9 kV

32 MHz — KC-2 and KC-11 — 7 kV

**Continuous Carry Current, Max.** —

DC or 60 Hz — KC-2 and KC-11 — 50 A  
KC-8 and KC-12 — 30 A

2.5 MHz — KC-2 and KC-11 — 30 A

16 MHz — KC-2 and KC-11 — 17 A

32 MHz — KC-2 and KC-11 — 10 A

Coil Hi-Pot (Vrms, 60 Hz) — 500 A

**Ordering Information**

Sample Part Number ▶

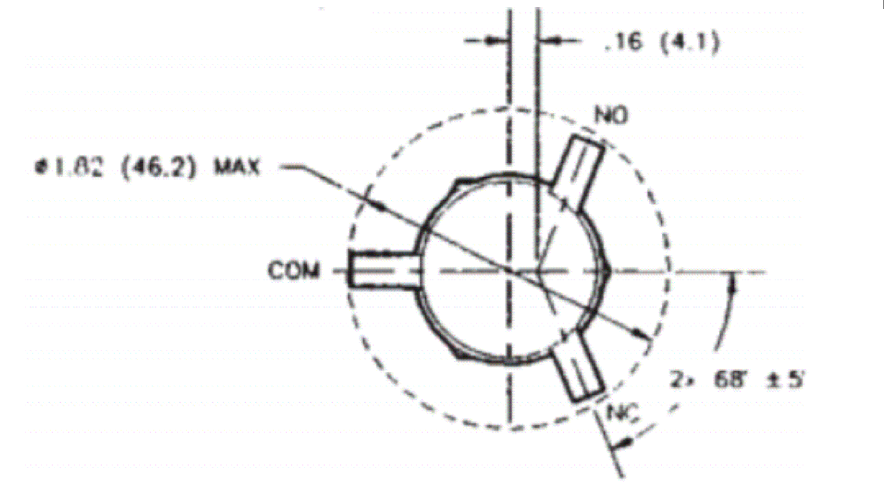
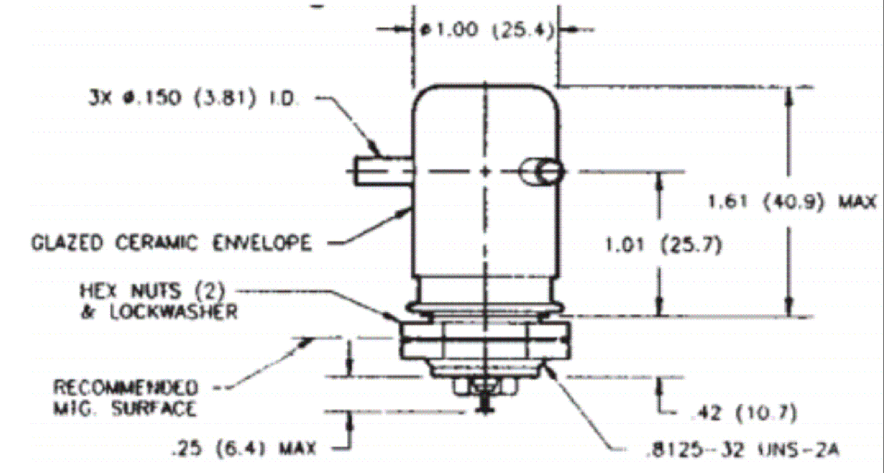
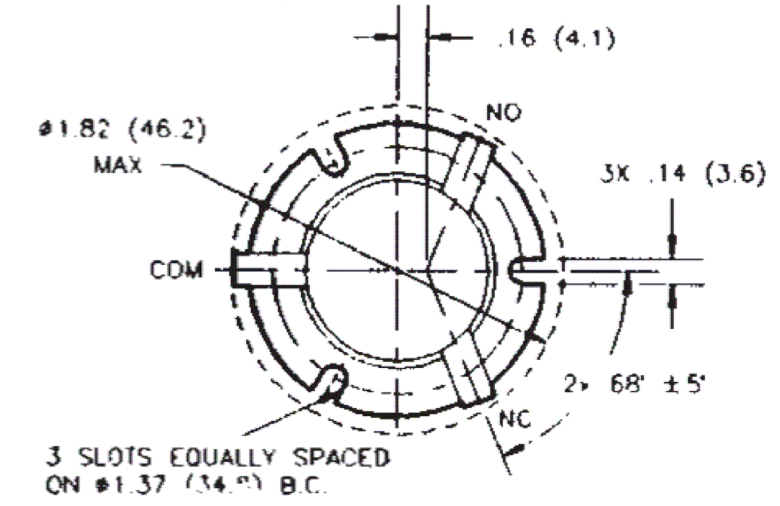
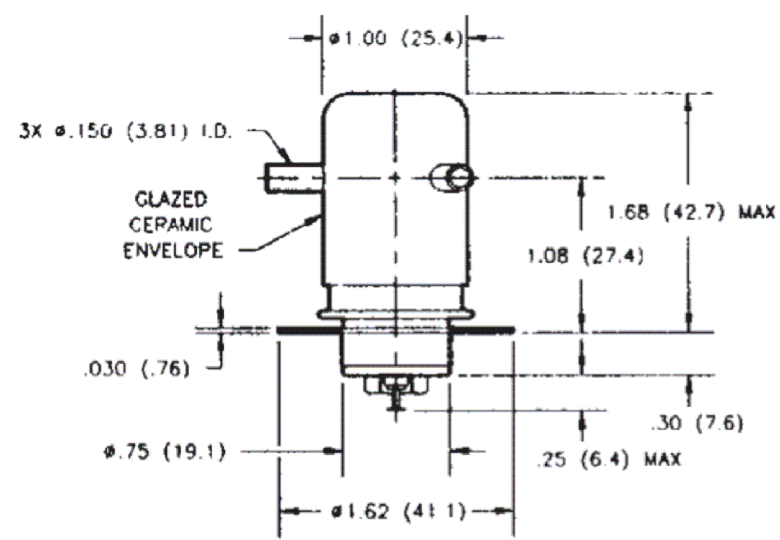
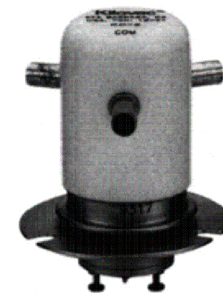
**KC- 2 /12Vdc**

Series: \_\_\_\_\_

Model: \_\_\_\_\_

Coil Voltage: \_\_\_\_\_

Blank = 26.5 Vdc /12Vdc = 12 Vdc /115Vdc = 115 Vdc



**KC-2 No Load Switching Product Facts**

- Vacuum dielectric for low and stable contact resistance
- Carries 50 Amps at DC; 10 Amps at 32 MHz
- Not designed for power switching

**KC-8 Product Facts for KC-8**

- Not recommended for new design. See KC-14 on page 7-82 for replacement.

**KC-11 No Load Switching Product Facts**

- Threaded base version of KC-2
- Vacuum dielectric for low leakage current applications

**KC-12 Product Facts**

- Not recommended for new design. See KC-18 on page 7-67 for replacement.
- Vacuum dielectric for power switching low current loads

ALL DIMENSIONS ARE IN INCHES(MM)

**Coil Data**

Nominal Volts DC	12 Vdc	26.5 Vdc	115 Vdc
Pickup, Max.	8 Vdc	16 Vdc	80 Vdc
Dropout	.5-5 Vdc	1-10 Vdc	5-50 Vdc
Coil Resistance (±10%)			
KC-2 and KC-11	60 Ω	250 Ω	3500 Ω
KC-8 and KC-12	48 Ω	180 Ω	2900 Ω

Ratings listed are for 25°C, sea level conditions

THIS DRAWING IS A CONTROLLED DOCUMENT.		DWN VM 25SEP2019	<b>STE</b> TE Connectivity		
DIMENSIONS: INCHES		CHK RV 25SEP2019			
TOLERANCES UNLESS OTHERWISE SPECIFIED:		APVD JR 25SEP2019	NAME KC-2, 8, 11, 12 SERIES MAKE AND BREAK LOAD SWITCHING		
0 PLC ± -		PRODUCT SPEC	SIZE CAGE CODE DRAWING NO RESTRICTED TO		
1 PLC ± -		APPLICATION SPEC	A3 - C-KC-2,8,11,12-SERIES -		
2 PLC ± -		WEIGHT	SCALE NTS SHEET 1 OF 1 REV A		
3 PLC ± -		MATERIAL			
4 PLC ± -		FINISH			
ANGLES ± -					