

THIS DRAWING IS UNPUBLISHED.

RELEASED FOR PUBLICATION

REVISIONS

© COPYRIGHT - TE Connectivity Ltd.

ALL RIGHTS RESERVED.

P	LTR	DESCRIPTION	DATE	DWN	APVD
	A	INITIAL DRAWING	17SEP2019	VM	JR

Product Specifications for K62A, K62B and K62C

Contact Arrangement —

- K62A — SPST-NO
- K62B — STST-NC
- K62C — SPDT

Contact Form —

- K62A — A
- K62B — B
- K62C — C

Test Voltage, DC or 60 Hz (Peak) —

30 kV

Rated Operating Voltage (Peak) —

DC or 60 Hz — 25 kV

Continuous Carry Current, Max. —

- DC or 60 Hz — 18 A
- Coil Hi-Pot (Vrms, 60 Hz) — 500 A

Contact Resistance, Max. —

0.50 ohm

Operate Time, Max. — 15 ms

Release Time, Max. — 15 ms

Shock, 11ms, 1/2 Sine (Peak) —

20 g

Vibration —

Peak — 10 g (55 to 500 Hz)

Operating Ambient Temperature Range —

-55°C to +85°C

Mechanical Life —

1 million cycles

Weight, Nominal —

340 g (12 oz.)

Coil Data

Volts, Nominal DC	12 V	26.5 V	115 V
Pickup, Max.	9 Vdc	18 Vdc	90 Vdc
Dropout	.5-5 Vdc	1-10 Vdc	5-55 Vdc
Coil Resistance (±10%)	30 Ω	125 Ω	2400 Ω

Ratings listed are for 25°C, sea level conditions

Ordering Information

Sample Part Number ►

K62 A 7 4 1

Series: _____

Contact Form: _____

A = SPST-NO B = SPST-NC C = SPDT

Coil Voltage: _____

- 7 = 12 Vdc, Turret Terminal
- 8 = 26.5 Vdc, Turret Terminal
- 9 = 115 Vdc, Turret Terminal

High Voltage Connections: _____

- 4 = Flying Leads, 12"
- 7 = Flying Leads, 72"
- 8 = Flying Leads, 36"

Mounting: _____

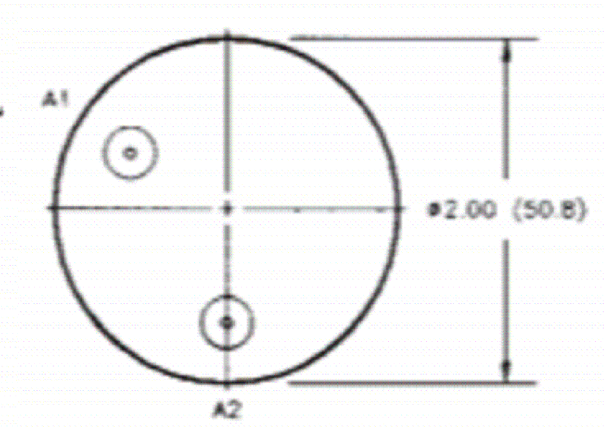
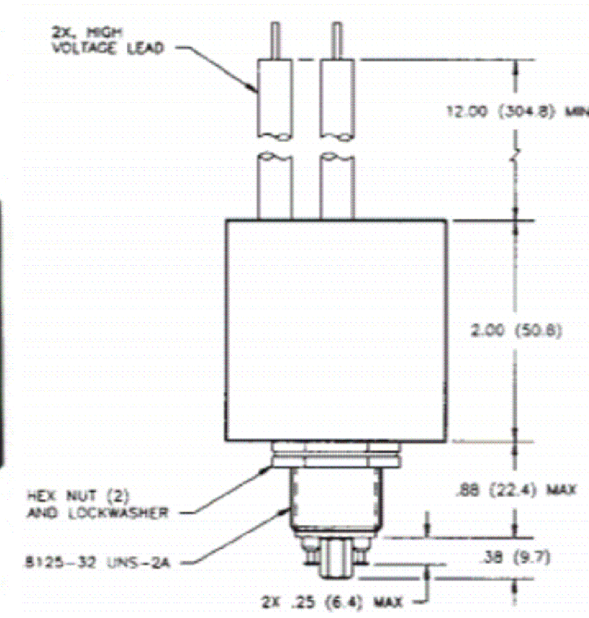
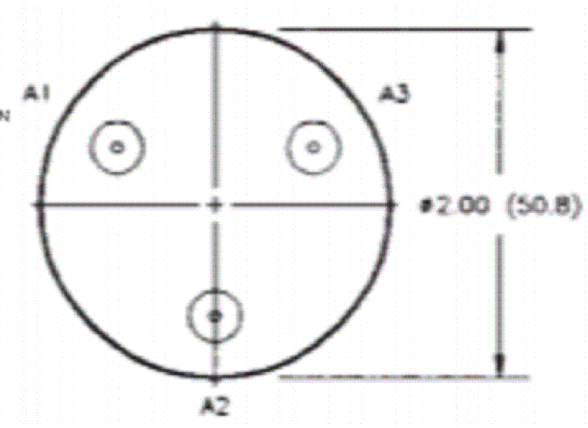
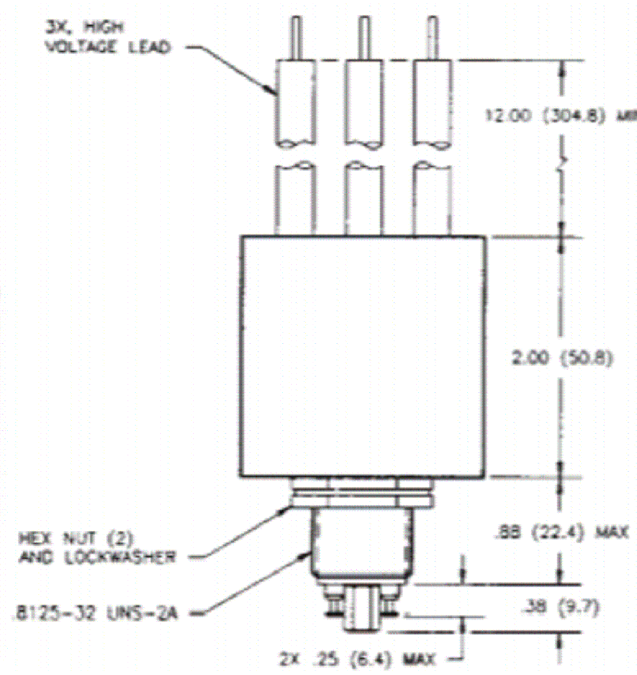
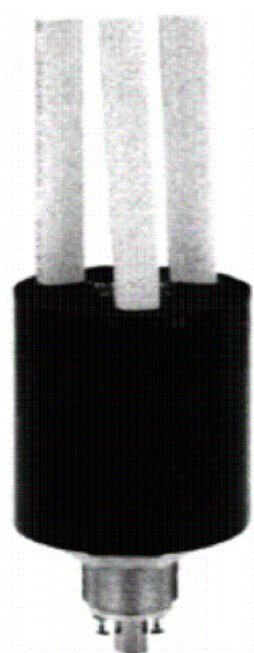
1 = Threaded

K62A and K62B Product Facts

- 25 kV relay with flying leads for ease of installation
- Vacuum dielectric and tungsten contacts for power switching low current loads
- Meets requirements of MIL-R-83725

K62C Product Facts

- SPDT version of K62
- Vacuum dielectric for power switching low current loads
- Carries 18 Amps continuous current
- Meets requirements of MIL-R-83725



ALL DIMENSIONS ARE IN INCHES(MM)

THIS DRAWING IS A CONTROLLED DOCUMENT.		DWN VM	17SEP2019	TE Connectivity	
		CHK RV	17SEP2019		
		APVD JR	17SEP2019	NAME	
		PRODUCT SPEC		K62 SERIES MAKE AND BREAK LOAD SWITCHING	
		APPLICATION SPEC		-	
		WEIGHT		SIZE A3	RESTRICTED TO
		CUSTOMER DRAWING		CAGE CODE	DRAWING NO
				SCALE NTS	SHEET 1 OF 1
				REV A	