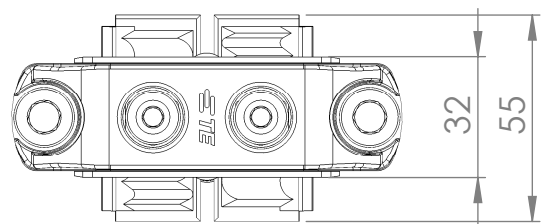
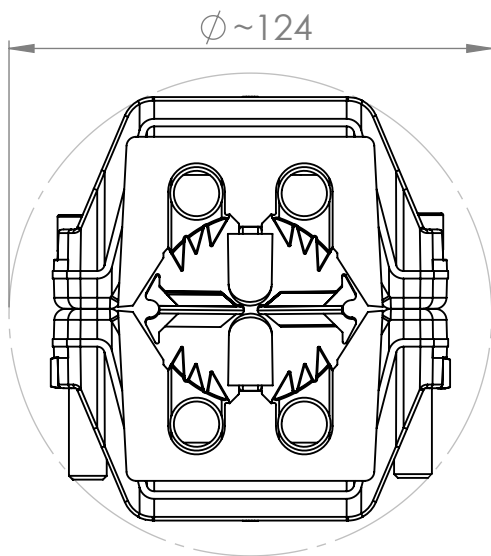



POS-NO.	DESCRIPTION
1	Half frame, Al alloy
2	Insulation housing, PBT
3	Teeth element, brass tin-plated
4	Side wedges green for 185se/sm and 240se, PBT
5	Spacer round for 185se only, PBT
6	Nut in frame half, steel
7	Washer, steel
8	Screw for frame half with inside hexagon head SW8, steel
9	Screw for tap connection SW5, steel
10	Side wedges black, PBT, for 240sm



BURR PROJECTION:		DEBUR AND BREAK SHARP EDGES		DO NOT SCALE DRAWING		REVISION: <b>1</b>	
FORM BOUND MEASURE:		DIMENSION: <b>mm</b>		This Information is confidential and proprietary to Tyco Electronics Corporation and its subsidiaries and affiliates. It may not be disclosed to anyone, other than Tyco Electronics personnel, without written authorization from Tyco Electronics Corporation, Harrisburg, Pennsylvania USA.			
NOT FORM BOUND MEASURE:				DESCRIPTION: <b>HEL-6880.1, RPN: CF5355-000</b> <b>CABLE RING CONNECTOR</b> <b>MAIN: 4X185SE-240SM</b> <b>BRANCH: 6-70</b>			
NAME	SIGNATURE	DATE	DWG NO. <b>C-HEL-6880.1</b>		A4		
DRAWN S. Pollakowski		23.02.2021	SCALE: 1:2		SHEET: 1 OF 1		
CHK'D			WEIGHT: 0,69kg				
APPV'D							
 <b>Tyco Electronics Raychem GmbH</b> a TE Connectivity Ltd. company Trachenberggring 85 12249 Berlin (Germany)							