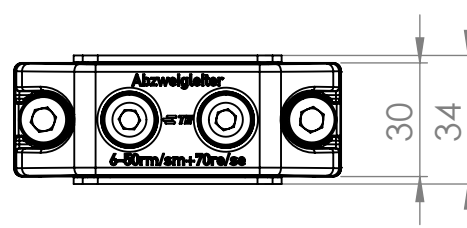
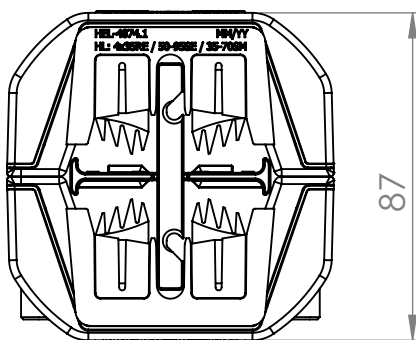



ratio 1 : 1

POS-NO.	Description
1	Ring connector half (Al-alloy)
2	Steel hexagon nut DIN 934, M8
3	Bolt with socket head M8x50 (steel, SW6)
4	Washer (M8, steel)
5	Insulation part PA6.6
6	Side wedges (PA 6.6)
7	Teeth element (brass, tin-plated)
8	Grub screw for branch conductor with SW5 (steel)
9	Side wedges for 35re main cable (PA 6.6)



BURR PROJECTION:		DEBUR AND BREAK SHARP EDGES		DO NOT SCALE DRAWING		REVISION: 1	
FORM BOUND MEASURE:		DIMENSION: mm		This Information is confidential and proprietary to Tyco Electronics Corporation and its subsidiaries and affiliates. It may not be disclosed to anyone, other than Tyco Electronics personnel, without written authorization from Tyco Electronics Corporation, Harrisburg, Pennsylvania USA.			
NOT FORM BOUND MEASURE:		DESCRIPTION: HEL-4874.1, RPN: F06688-000					
NAME	SIGNATURE	DATE	Cable ring connector				
DRAWN S.Pollakowski		29.07.2017	MAIN: 4x35RE / 50-95SE / 35-70SM				
CHK'D			BRANCH: 6-50+70SE				
APPV'D			DWG NO. C-HEL-4874.1		A4		
 Tyco Electronics Raychem GmbH a TE Connectivity Ltd. company Trachenberggring 85 12249 Berlin (Germany)			WEIGHT: 0,455kg	SCALE: 1:2	SHEET: 1 OF 1		