

P	LTR	DESCRIPTION	DATE	DWN	APVD
	A	INITIAL DRAWN	17DEC2019	RV	JR

### Product Specifications

**Contact Arrangement** — 4PDT

**Contact Form** — 4C

**Test Voltage, DC or 60 Hz (Peak)** — 17 kV

**Rated Operating Voltage (Peak)** —

DC or 60 Hz — 15 kV

2.5 MHz — 12 kV

16 MHz — 10 kV

32 MHz — 7 kV

**Continuous Carry Current, Max.** —

DC or 60 Hz — 30 A

2.5 MHz — 10 A

16 MHz — 6 A

32 MHz — 4 A

Coil Hi-Pot (Vrms, 60 Hz) — 500 A

**Contact Capacitance** —

Between Open Contacts — 1 pF

Open Contacts to Ground — 2.5 pF

**Contact Resistance, Max.** —

0.02 ohm

**Operate Time, Max.** — 30 ms

**Release Time, Max.** — 30 ms

**Shock, 11ms, 1/2 Sine (Peak)** —

30 g

**Vibration** —

Peak — 10 g (55 to 500 Hz)

**Operating Ambient Temperature Range** — -55°C to +125°C

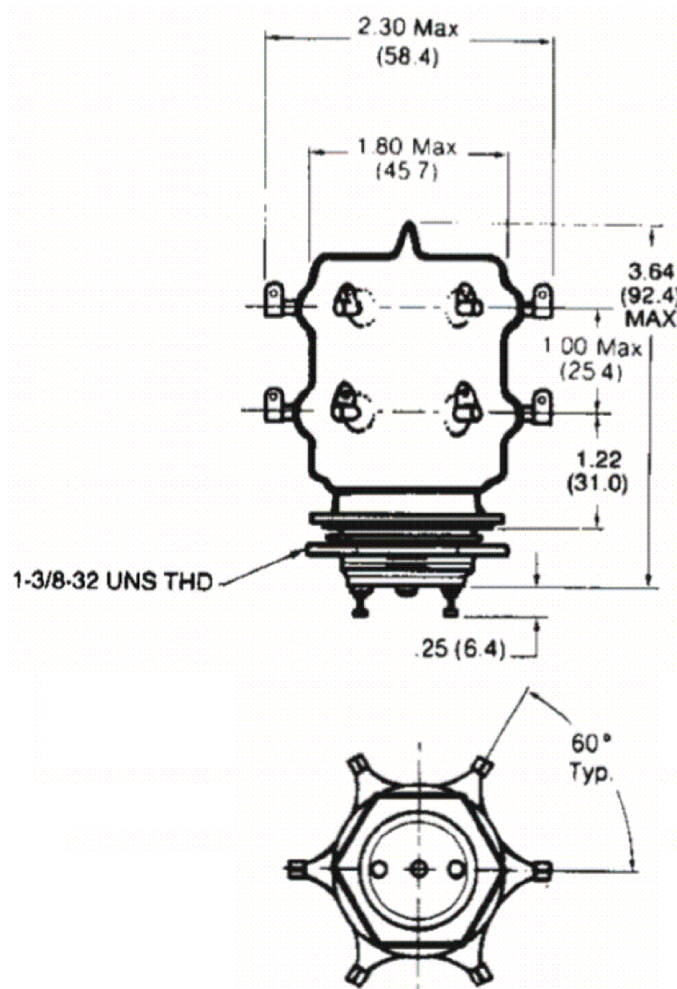
**Mechanical Life** — 100,000 cycles

**Weight, Nominal** — 340 g (12 oz.)

### Coil Data

Volts, Nominal DC	12 V	26.5 V	115 V
Pickup, Max.	8 Vdc	16 Vdc	80 Vdc
Dropout	.5-5 Vdc	1-10 Vdc	5-50 Vdc
Coil Resistance (±10%)	N/A	130 Ω	2100 Ω

Ratings listed are for 25°C, sea level conditions



### Product Facts

- Highly reliable four pole double throw relay
- Used to switch multiple loads and for polarity reversal
- Vacuum dielectric for power switching low current loads
- Meets requirements of MIL-R-83725

### Ordering Information

**Sample Part Number** ► H-26 /12Vdc

**Model:** \_\_\_\_\_  
H-26

**Coil Voltage:** \_\_\_\_\_  
Blank = 26.5 Vdc  
/12Vdc = 12 Vdc  
/115Vdc = 115 Vdc

ALL DIMENSIONS ARE IN INCHES(MM)

THIS DRAWING IS A CONTROLLED DOCUMENT.		DWN RV 17DEC2019	TE Connectivity		
DIMENSIONS: INCHES		CHK RV 17DEC2019			
TOLERANCES UNLESS OTHERWISE SPECIFIED:		APVD JR 17DEC2019	PRODUCT SPEC		
0 PLC ± -		APPLICATION SPEC			
1 PLC ± -		SIZE A3			
2 PLC ± -		CAGE CODE -			
3 PLC ± -		DRAWING NO C-H-26-SERIES			
4 PLC ± -		RESTRICTED TO -			
ANGLES ± -		SCALE NTS			
MATERIAL -		SHEET 1 OF 1			
FINISH -		REV A			
-		CUSTOMER DRAWING			