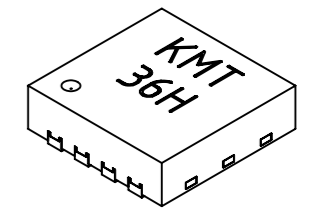
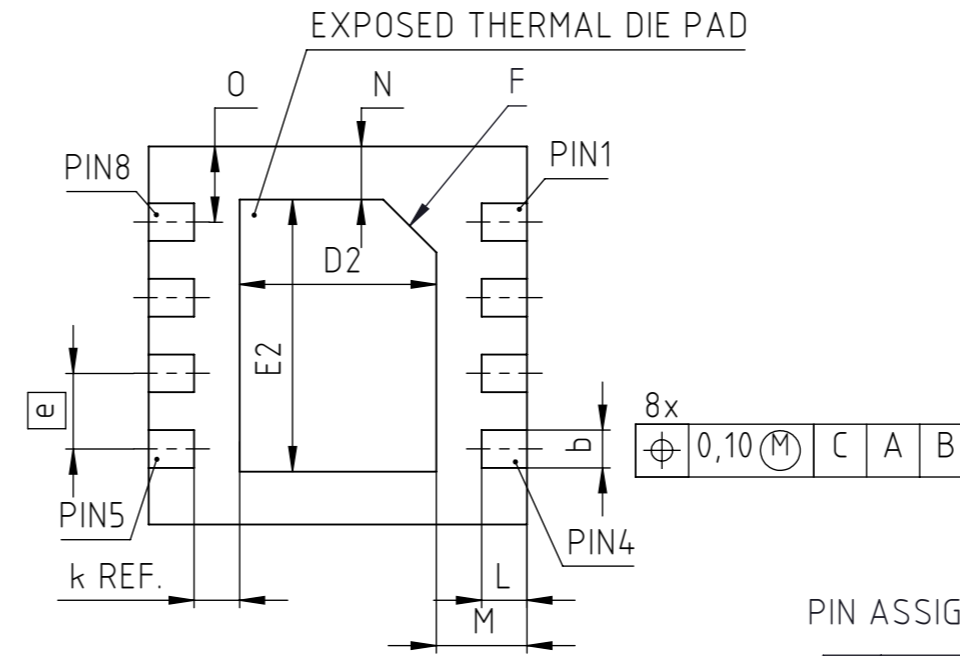
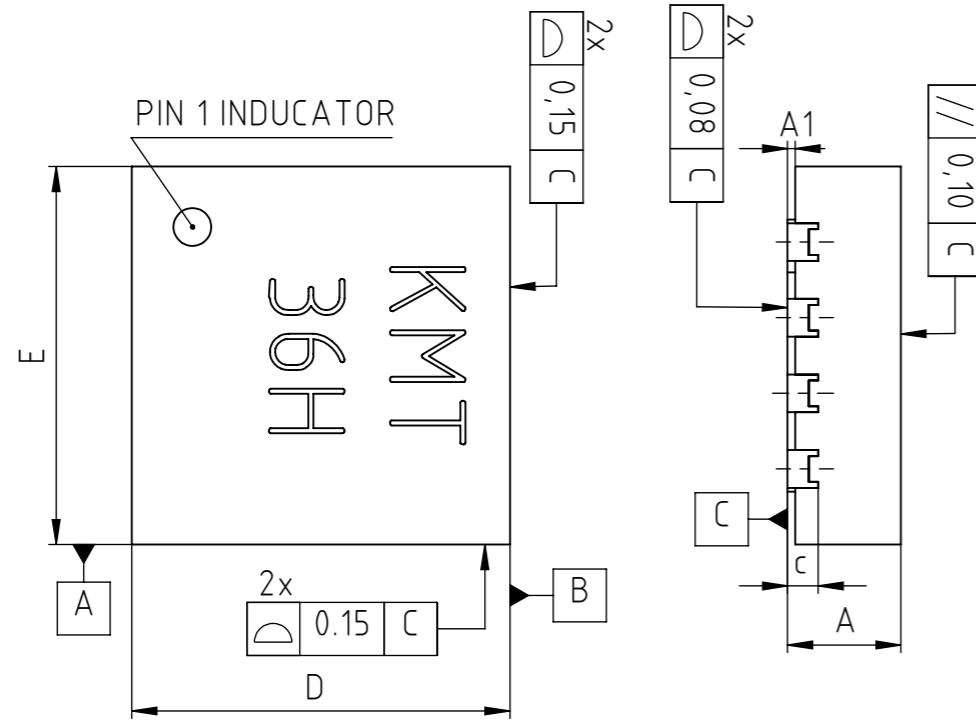


REV	DESCRIPTION	DATE	DWN	APVD
-----	-------------	------	-----	------

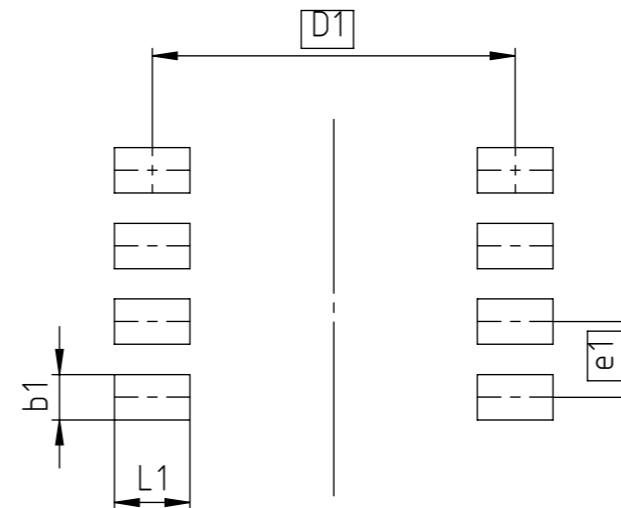


SCALE 10:1

PIN ASSIGNMENT

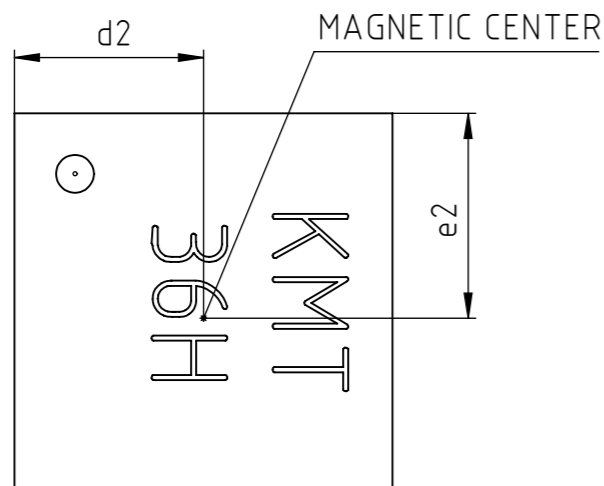
PIN	DIE
1	V02
2	GND
3	VCC
4	V01
5	VCOIL+
6	n.c.
7	VCOIL-
8	V03

RECOMMENDED LAND PATTERN



DIM	Milimeter		
	min.	typ.	max.
A	0,70	0,75	0,80
A1	-	-	0,05
b	0,20	0,25	0,30
b1	-	0,25	-
c	-	0,20	-
D	2,45	2,50	2,55
D1	-	2,40	-
D2	1,29	1,30	1,31
d2	-	1,25	-
E	2,45	2,50	2,55
E2	1,79	1,80	1,81
e	-	0,50	-
e1	-	0,50	-
e2	-	1,35	-
F	0,35 x 45°		
k	-	0,30	-
L	0,25	0,30	0,35
L1	-	0,50	-
M	-	0,60	-
N	-	0,35	-
O	-	0,50	-

MAGNETIC CENTER



Note:
1. REFER TO JEDEC MO-229

THIS DRAWING IS A CONTROLLED DOCUMENT.		DWN			
		CHK			
DIMENSIONS:		APVD	NAME		
mm		PRODUCT SPEC			
TOLERANCES UNLESS OTHERWISE SPECIFIED:		APPLICATION SPEC	KMT36H 8L TDFN 2.5x2.5		
0 PLC ±°		WEIGHT			
1 PLC ±°		SIZE A3			
2 PLC ±°		CAGE CODE 00779			
3 PLC ±°		DRAWING NO C-G-MRCD-021			
4 PLC ±°		RESTRICTED TO			
ANGLES ±°		SCALE 20:1			
MATERIAL		SHEET 1 OF 1			
FINISH		REV 1			
		CUSTOMER DRAWING			