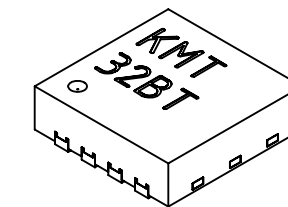
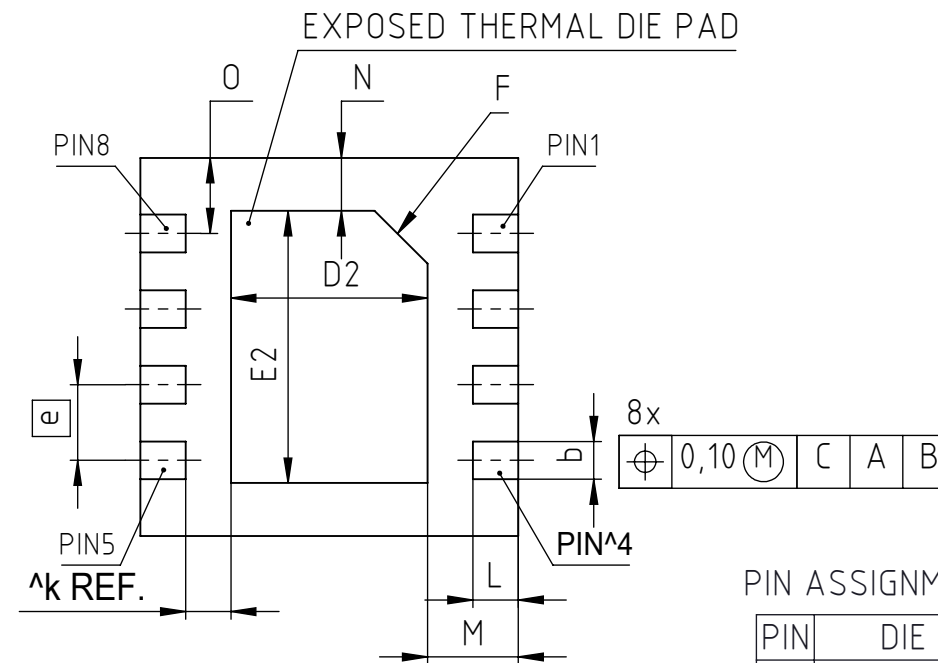
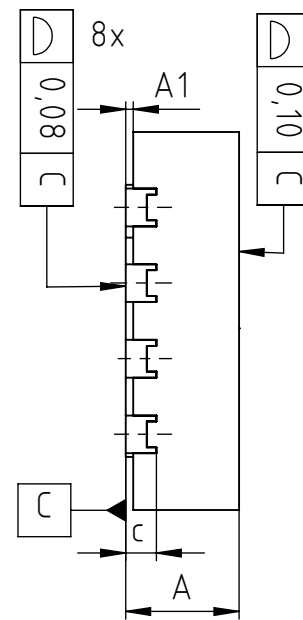
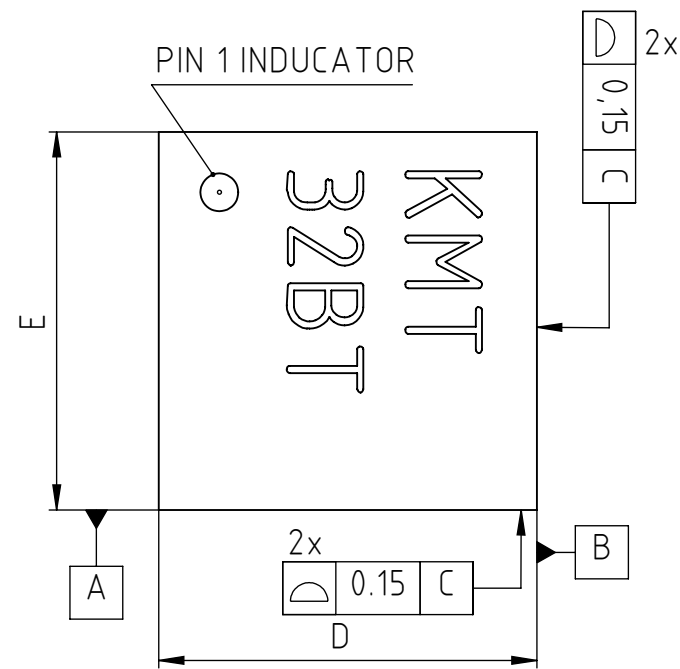


REV	DESCRIPTION	DATE	DWN	APVD
-----	-------------	------	-----	------



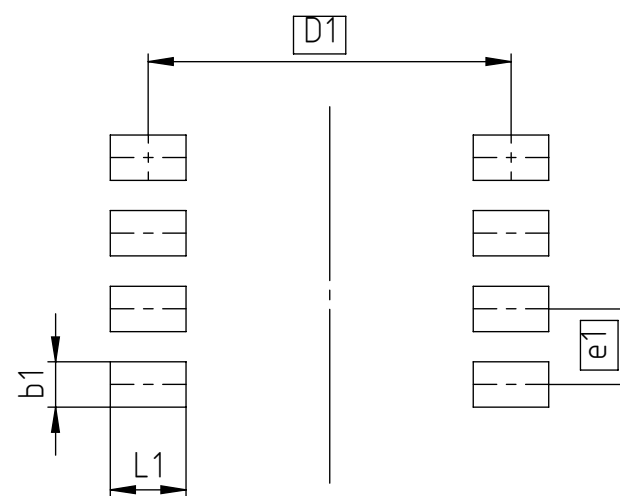
SCALE 10:1

PIN ASSIGNMENT

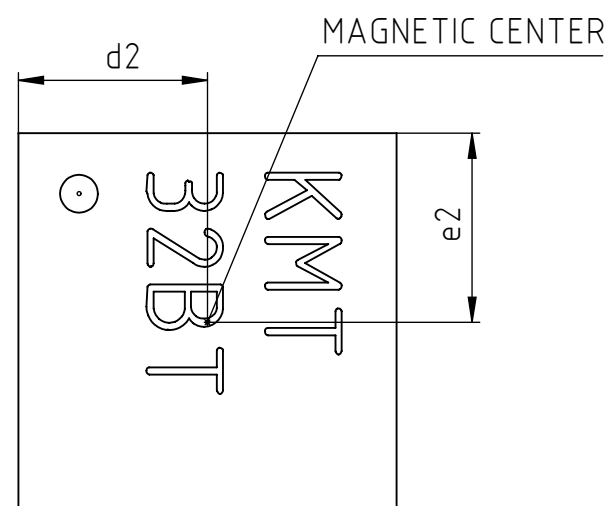
PIN	DIE
1	VCC2
2	VCC1
3	+V01
4	+V02
5	GND2
6	GND1
7	-V01
8	-V02

DIM	Milimeter		
	min.	typ.	max.
A	0,70	0,75	0,80
A1	-	-	0,05
b	0,20	0,25	0,30
b1	-	0,25	-
c	-	0,20	-
D	2,45	2,50	2,55
D1	-	2,40	-
D2	1,29	1,30	1,31
d2	-	1,25	-
E	2,45	2,50	2,55
E2	1,79	1,80	1,81
e	-	0,50	-
e1	-	0,50	-
e2	-	1,25	-
F	0,35 x 45°		
k	-	0,30	-
L	0,25	0,30	0,35
L1	-	0,50	-
M	-	0,60	-
N	-	0,35	-
O	-	0,50	-

RECOMMENDED LAND PATTERN



MAGNETIC CENTER



Note:
1. REFER TO JEDEC MO-229

THIS DRAWING IS A CONTROLLED DOCUMENT.		DWN Schreiner 22.12.2022		
		CHK Stute 23.12.2022		
DIMENSIONS:	TOLERANCES UNLESS OTHERWISE SPECIFIED:	NAME		
mm	0 PLC ± 1 PLC ± 2 PLC ± 3 PLC ± 4 PLC ± ANGLES ±°	KMT32BT TDFN 2.5x2.5		
MATERIAL	FINISH	APVD -	PRODUCT SPEC -	APPLICATION SPEC -
-	-	WEIGHT -	SIZE A3	CAGE CODE 00779
-	-	CUSTOMER DRAWING	DRAWING NO C=C-G-MRCD-016	RESTRICTED TO -
		SCALE 20:1	SHEET 1 OF 1	REV 1