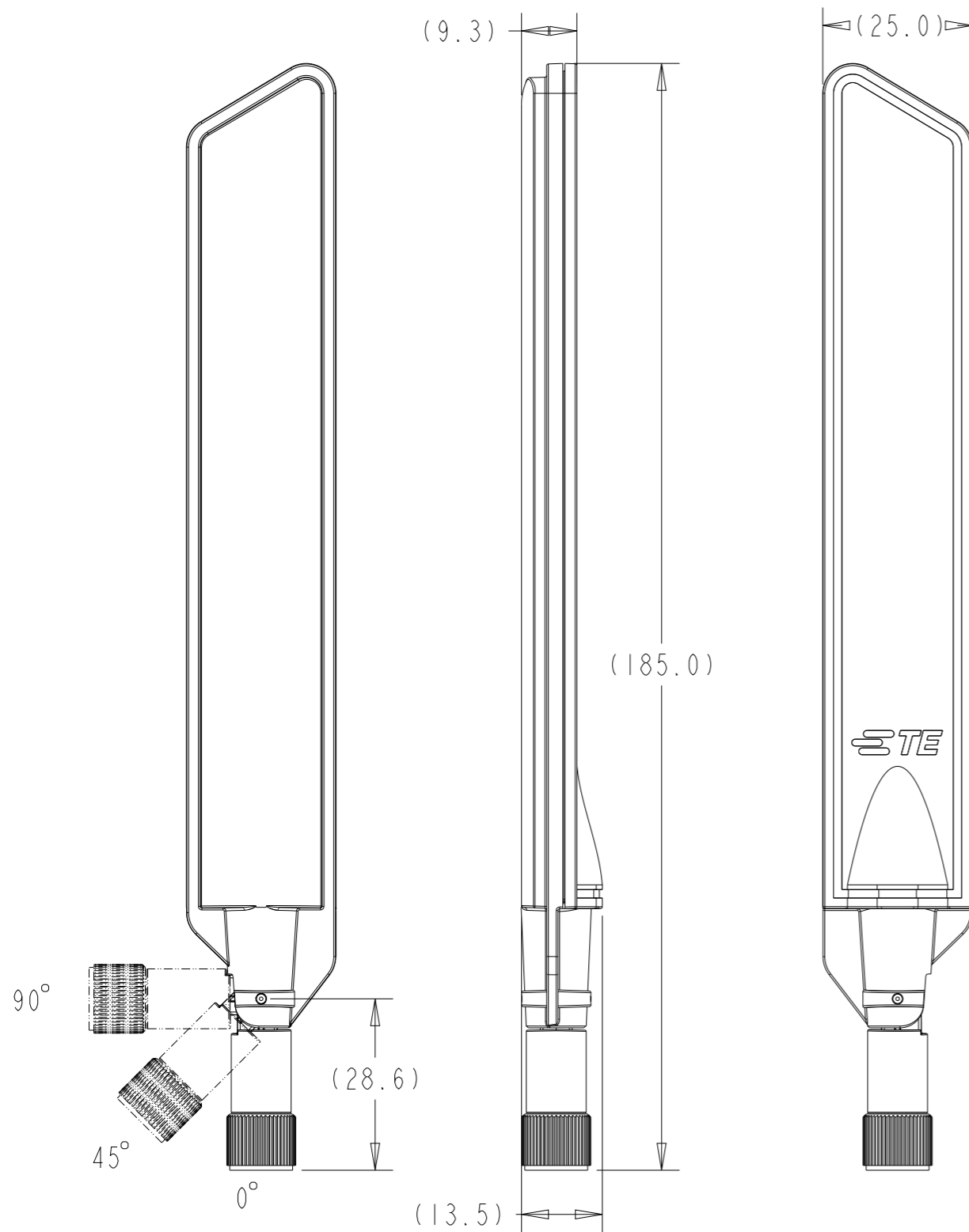


P	LTR	DESCRIPTION	DATE	DWN	APVD
	I	RELEASED PER ECN-22190373	10JAN2023	CYH	WTN
	A	RELEASED PER ECN-23-195764	30JAN2023	CYH	WTN



Antenna Bend Position

Parameter	Performance						
TE Part Number	DBA6171C3-BSMAM						
Frequency Bands, MHz	617-698	698-960	1427-1606	1710-2200	2300-2700	3300-4200	5150-6000
Peak Gain, dBi (Average)	-0.3	0.2	0.6	0.8	1.4	2.8	3.0
Peak Gain, dBi	0.0	1.0	1.0	2.1	2.1	3.9	4.4
Total Efficiency (Average, %)	51%	49%	59%	53%	74%	56%	65%
Total Efficiency (Average, dB)	-3.0	-3.1	-2.3	-2.7	-1.3	-2.5	-1.9
Polarization	Linear, Vertical						
VSWR (Average)	<1.9	<1.7	<1.7	<2.2	<1.7	<1.9	<1.8
VSWR (Max)	<2.5	<2.0	<3.5	<2.5	<2.3	<2.3	<2.3
Azimuth Beam Width	360°, Omnidirectional						
Nominal Impedance	50 Ohm						
Input Power, Max	5 Watts						
Weight	31g						
Radome	Polycarbonate, UV						
Color	Black						
Operating Temperature	-40°C ~ +85°C						
Storage Temperature	-40°C ~ +85°C						
Wind Rating (Survival)	60mph						
Ingression Protection	IP67						
RoHS Compliance	Yes						
RF Connector	SMA Male						

*Note: Measured at 0° bend position

THIS DRAWING IS A CONTROLLED DOCUMENT.		DWN CY HANG	30-Jan-23		
		CHK KM LIM	15-Dec-22		
		APVD WT NG	15-Dec-22	NAME DIPOLE, SMAM, SWIVEL 617-7125MHz, OUTDOOR	
DIMENSIONS: mm		TOLERANCES UNLESS OTHERWISE SPECIFIED:		PRODUCT SPEC -	
		0 PLC	±0.5	APPLICATION SPEC -	
		1 PLC	±0.25	WEIGHT -	
MATERIAL -		2 PLC	±0.13	SIZE A3	
		3 PLC	±	CAGE CODE 00779	
N/A		4 PLC	±	DRAWING NO DBA6171C3-BSMAM	
		ANGLES	±0.5	RESTRICTED TO -	
		FINISH	-	SCALE 1:1	
				SHEET 1 OF 1	
				REV A	
		CUSTOMER DRAWING			