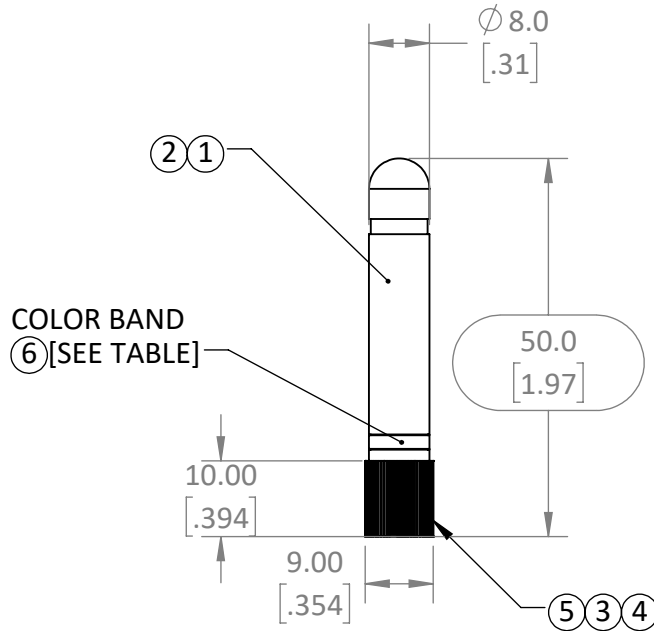


REVISIONS			
REV	DESCRIPTION	DATE	APPV
A	PRODUCTION RELEASE	JHAGER 10/7/21	DV 11/12/21
B	ADDED BLACK BAND 916MHz PRODUCT. UPDATED NOTES.	JHAGER 10/11/22	



NOTES: (UNLESS OTHERWISE SPECIFIED)

- ALL DIMENSIONS ARE IN MILLIMETERS [IN].
- DIMENSIONS APPLY AFTER FINISHING.
- MANUFACTURE TO BE COMPLIANT WITH EU RoHS DIRECTIVE, USE MATERIALS THAT DO NOT CONTAIN REACH SUBSTANCES OF VERY HIGH CONCERN >1000ppm, AND USE DRC CONFLICT-FREE SOURCED MATERIALS.
- ELECTRICAL PROPERTIES ARE FOR REFERENCE ONLY. SEE LINX DATA SHEET FOR ELECTRICAL SPECIFICATIONS.
 - IMPEDANCE: 50Ω
 - FREQUENCY: [SEE TABLE]
 - VSWR: NTE 2.1
- ANTENNA QUALIFIED IAW LINX TEST PLAN DOCUMENT AT LATEST REVISION.
- MECHANICAL SPECIFICATIONS
 - OPERATIONAL TEMPERATURE: -40° - +80°C
 - CONNECTOR SMA TYPE INTERFACE IAW MIL-STD-438B. RP-SMA TYPE IAW LINX SPECIFICATION [SPC-CON-IFC-RPS]

ITEM NUMBER	CONNECTOR	FREQUENCY	BAND COLOR
ANT-315-CW-RH	RP-SMA	315MHz	GREEN
ANT-315-CW-RH-SMA	SMA	315MHz	GREEN
ANT-418-CW-RH	RP-SMA	418MHz	BLUE
ANT-418-CW-RH-SMA	SMA	418MHz	BLUE
ANT-433-CW-RH	RP-SMA	433MHz	RED
ANT-433-CW-RH-SMA	SMA	433MHz	RED
ANT-868-CW-RH	RP-SMA	868MHz	GRAY
ANT-868-CW-RH-SMA	SMA	868MHz	GRAY
ANT-916-CW-RH	RP-SMA	916MHz	YELLOW
ANT-916-CW-RH-SMA	SMA	916MHz	YELLOW
ANT-916-CW-RH-RPS-BK	RP-SMA	916MHz	BLACK

ITEM NUMBER	DESCRIPTION
1	COVER, ELEMENT, TPE, BLACK
2	ELEMENT, TUNED, COPPER/SWC STEEL
3	CONNECT, SMA TYPE, BLACK,CHROMATE/BRASS
4	PIN, CONDUCTOR, GOLD/BRASS
5	INSULATOR, POM, WHITE
6	RING, COLOR INDICATOR, POLYOL [SEE TABLE]

WARNING: THIS DRAWING CONTAINS PROPRIETARY INFORMATION THAT IS THE SOLE PROPERTY OF LINX TECHNOLOGIES, AND SHALL BE TREATED AS SUCH. NO DISCLOSURE OR REPRODUCTION OF THIS DOCUMENT IS PERMITTED, IN WHOLE OR IN PART, WITHOUT THE EXPRESS WRITTEN PERMISSION OF LINX TECHNOLOGIES OR ITS DESIGNATED AGENTS.

MATERIAL:	TPE, POM SWC, BRASS	INTERPRET DIMENSIONS AND TOLERANCES PER ASME Y14.5. .X ±2.0 .XX ±1.0 .XXX ±.500	ANGLES: ±1° SURFACE: √	PROJECTION:
FINISH:	BLACK, INSUL Cu, BLACK Cr	DRAWN: S.HOGAN ENGR: DASARATHAN	DT: 6/12/19	

STE connectivity
159 ORT LANE
MERLIN, OR 97532

TITLE: ANTENNA RH TYPE REDUCED HEIGHT WHIP			
SIZE	DWG. NO.	REV	
A	C-ANT-xxx-CW-RH-CCC	B	
SCALE: 1:1	DO NOT SCALE DRAWING	SHEET 1 OF 1	