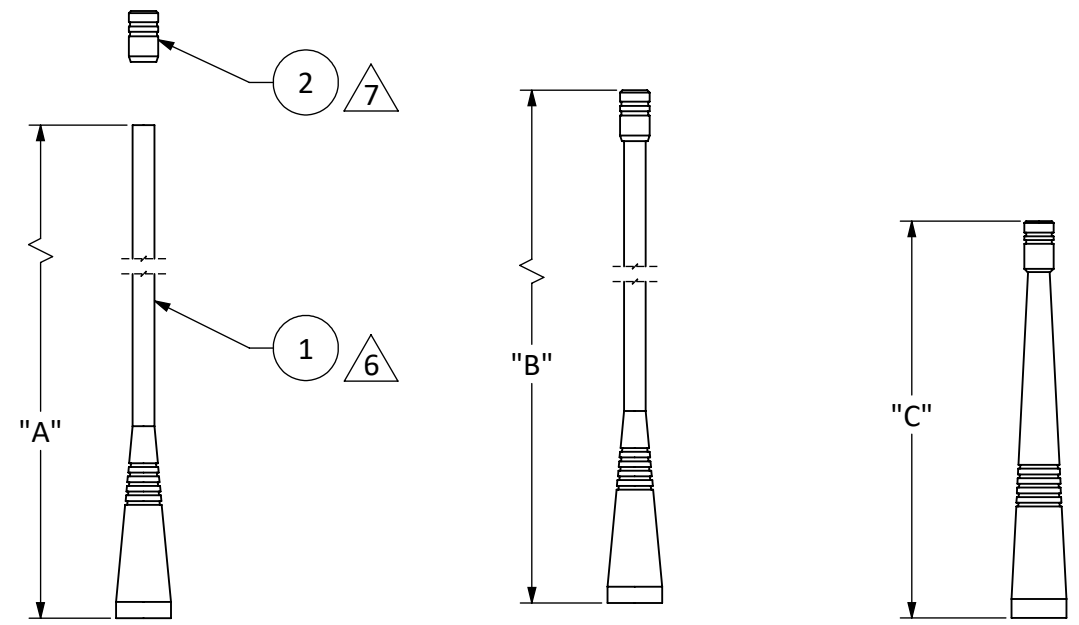


REVISIONS			
REV	DESCRIPTION	DATE	APPV
1	INITIAL RELEASE	7-AUG-08	SAH
B	UPDATED TO INCLUDE LTE BANDS AND SMA CONNECTION VERSIONS	25-JUN-19	CLL
C	ADDED 410 AND 450 VERSIONS OF ANTENNA	17-APR-20	SAH



NOTES: (UNLESS OTHERWISE SPECIFIED)

1. ALL DIMENSIONS ARE IN MILLIMETERS [INCHES].
2. DIMENSIONS APPLY AFTER FINISHING.
3. MANUFACTURE TO BE COMPLIANT WITH EU RoHS DIRECTIVE, USE MATERIALS THAT DO NOT CONTAIN REACH SUBSTANCES OF VERY HIGH CONCERN >1000ppm, AND USE DRC CONFLICT-FREE SOURCED MATERIALS.
4. SAFETY BREAK ALL SHARP CORNERS AND EDGES .02" MAXIMUM,
5. PERFORMANCE REQUIREMENTS MEASURED ON 4" X 4" COPPER-CLAD GROUND PLANE REFERENCE.

△6 OVERMOLD SUB ASSEMBLY, ITEM 1, TO BE CUT TO LENGTH "A" FOR DESIRED FREQUENCY.

△7 CAP, ITEM 2, TO BE EPOXIED ONTO OVERMOLD SUB ASSEMBLY, ITEM 1, USING LOCTITE 401 (OR EQUIVALENT), AFTER CUTTING TO THE DESIRED FREQUENCY LENGTH.

PART NUMBER	CENTER FREQUENCY	FREQUENCY RANGE (MHz)	WAVELENGTH	TYPE	VSWR (TYP. AT CENTER)	IMPEDANCE	CONNECTION	ITEM NO. 1 △6	ITEM NO. 2 △7	LENGTH "A"	LENGTH "B"	LENGTH "C"
ANT-410-CW-QW-SMA	418 MHz	380-450	1/4-WAVE	MONOPOLE	≤2.0 : 1	50-OHM	SMA	ASM-ANT-CW-QW-OMD-SM	MEC-ANT-QW-CAP-BLK	176.5[6.95]	177.2[6.98]	N/A
ANT-418-CW-QW	418 MHz	380-450	1/4-WAVE	MONOPOLE	≤2.0 : 1	50-OHMS	RP-SMA	ASM-ANT-CW-QW-OMD-RP	MEC-ANT-QW-CAP-418	176.5 [6.95]	177.2 [6.98]	N/A
ANT-418-CW-QW-SMA	418 MHz	380-450	1/4-WAVE	MONOPOLE	≤2.0 : 1	50-OHMS	SMA	ASM-ANT-CW-QW-OMD-SM	MEC-ANT-QW-CAP-418	176.5 [6.95]	177.2 [6.98]	N/A
ANT-433-CW-QW	433 MHz	400-470	1/4-WAVE	MONOPOLE	≤2.0 : 1	50-OHMS	RP-SMA	ASM-ANT-CW-QW-OMD-RP	MEC-ANT-QW-CAP-433	172.7 [6.80]	173.4 [6.83]	N/A
ANT-433-CW-QW-SMA	433 MHz	400-470	1/4-WAVE	MONOPOLE	≤2.0 : 1	50-OHMS	SMA	ASM-ANT-CW-QW-OMD-SM	MEC-ANT-QW-CAP-433	172.7 [6.80]	173.4 [6.83]	N/A
ANT-450-CW-QW-SMA	458 MHz	420-495	1/4-WAVE	MONOPOLE	≤2.0 : 1	50-OHMS	SMA	ASM-ANT-CW-QW-OMD-SM	MEC-ANT-QW-CAP-BLK	166.3[6.54]	167.0[6.57]	N/A
ANT-868-CW-QW	868 MHz	750-950	1/4-WAVE	MONOPOLE	≤2.0 : 1	50-OHMS	RP-SMA	ASM-ANT-CW-QW-OMD-RP	MEC-ANT-QW-CAP-868	82.8 [3.26]	83.5 [3.29]	N/A
ANT-868-CW-QW-SMA	868 MHz	750-950	1/4-WAVE	MONOPOLE	≤2.0 : 1	50-OHMS	SMA	ASM-ANT-CW-QW-OMD-SM	MEC-ANT-QW-CAP-868	82.8 [3.26]	83.5 [3.29]	N/A
ANT-916-CW-QW	916 MHz	865-965	1/4-WAVE	MONOPOLE	≤2.0 : 1	50-OHMS	RP-SMA	ASM-ANT-CW-QW-OMD-RP	MEC-ANT-QW-CAP-916	79.8 [3.14]	80.5 [3.17]	N/A
ANT-916-CW-QW-SMA	916 MHz	865-965	1/4-WAVE	MONOPOLE	≤2.0 : 1	50-OHMS	SMA	ASM-ANT-CW-QW-OMD-SM	MEC-ANT-QW-CAP-916	79.8 [3.14]	80.5 [3.17]	N/A
ANT-2.4-CW-QW-RPS	2.45 GHz	2350-2600	1/2-WAVE	MONOPOLE	≤2.0 : 1	50-OHMS	RP-SMA	N/A	N/A	N/A	N/A	105.0 [4.13]
ANT-2.4-CW-QW-SMA	2.45 GHz	2350-2600	1/2-WAVE	MONOPOLE	≤2.0 : 1	50-OHMS	SMA	N/A	N/A	N/A	N/A	105.0 [4.13]
ANT-490-CW-QW-SMA	490 MHz	470-510	1/4-WAVE	MONOPOLE	≤2.0 : 1	50-OHMS	SMA	ASM-ANT-CW-QW-OMD-SM	MEC-ANT-QW-CAP-BLK	157.0 [6.18]	157.7 [6.21]	N/A
ANT-B5-CW-QW-SMA	859 MHz	824-894	1/4-WAVE	MONOPOLE	≤2.0 : 1	50-OHMS	SMA	ASM-ANT-CW-QW-OMD-SM	MEC-ANT-QW-CAP-BLK	82.8 [3.26]	83.5 [3.29]	N/A
ANT-B8-CW-QW-SMA	920 MHz	880-960	1/4-WAVE	MONOPOLE	≤2.0 : 1	50-OHMS	SMA	ASM-ANT-CW-QW-OMD-SM	MEC-ANT-QW-CAP-BLK	79.8 [3.14]	80.5 [3.17]	N/A
ANT-B13-CW-QW-SMA	760 MHz	746-787	1/4-WAVE	MONOPOLE	≤2.0 : 1	50-OHMS	SMA	ASM-ANT-CW-QW-OMD-SM	MEC-ANT-QW-CAP-BLK	97.7 [3.85]	98.4 [3.87]	N/A
ANT-B14-CW-QW-SMA	778 MHz	758-798	1/4-WAVE	MONOPOLE	≤2.0 : 1	50-OHMS	SMA	ASM-ANT-CW-QW-OMD-SM	MEC-ANT-QW-CAP-BLK	93.5 [3.68]	94.2 [3.71]	N/A
ANT-B20-CW-QW-SMA	826 MHz	791-862	1/4-WAVE	MONOPOLE	≤2.0 : 1	50-OHMS	SMA	ASM-ANT-CW-QW-OMD-SM	MEC-ANT-QW-CAP-BLK	88.9 [3.50]	89.7 [3.53]	N/A
ANT-B28-CW-QW-SMA	753 MHz	703-803	1/4-WAVE	MONOPOLE	≤2.0 : 1	50-OHMS	SMA	ASM-ANT-CW-QW-OMD-SM	MEC-ANT-QW-CAP-BLK	97.7 [3.85]	98.4 [3.87]	N/A

WARNING: THIS DRAWING CONTAINS PROPRIETARY INFORMATION THAT IS THE SOLE PROPERTY OF LINX TECHNOLOGIES, AND SHALL BE TREATED AS SUCH. NO DISCLOSURE OR REPRODUCTION OF THIS DOCUMENT IS PERMITTED, IN WHOLE OR IN PART, WITHOUT THE EXPRESS WRITTEN PERMISSION OF LINX TECHNOLOGIES OR ITS DESIGNATED AGENTS.

STE connectivity 159 ORT LANE
MERLIN, OR 97532

TITLE: **ANTENNA CONNECTORIZED WHIP**

MATERIAL: INTERPRET DIMENSIONS AND TOLERANCES PER ASME Y14.5.

WEIGHT: .X ±2.0 .XX ±1.00 .XXX ±.500

FINISH: ANGLES: ±1° SURFACE: √

PROJECTION:

DRAWN: S.HOGAN DT: 21-APR-09

ENGR: DASARATHAN DT: 25-JUN-19

SIZE DWG. NO. **B** C-ANT-fff-CW-QW-ccc

SCALE: 1:2 DO NOT SCALE DRAWING

REV **1**

SHEET 1 OF 1