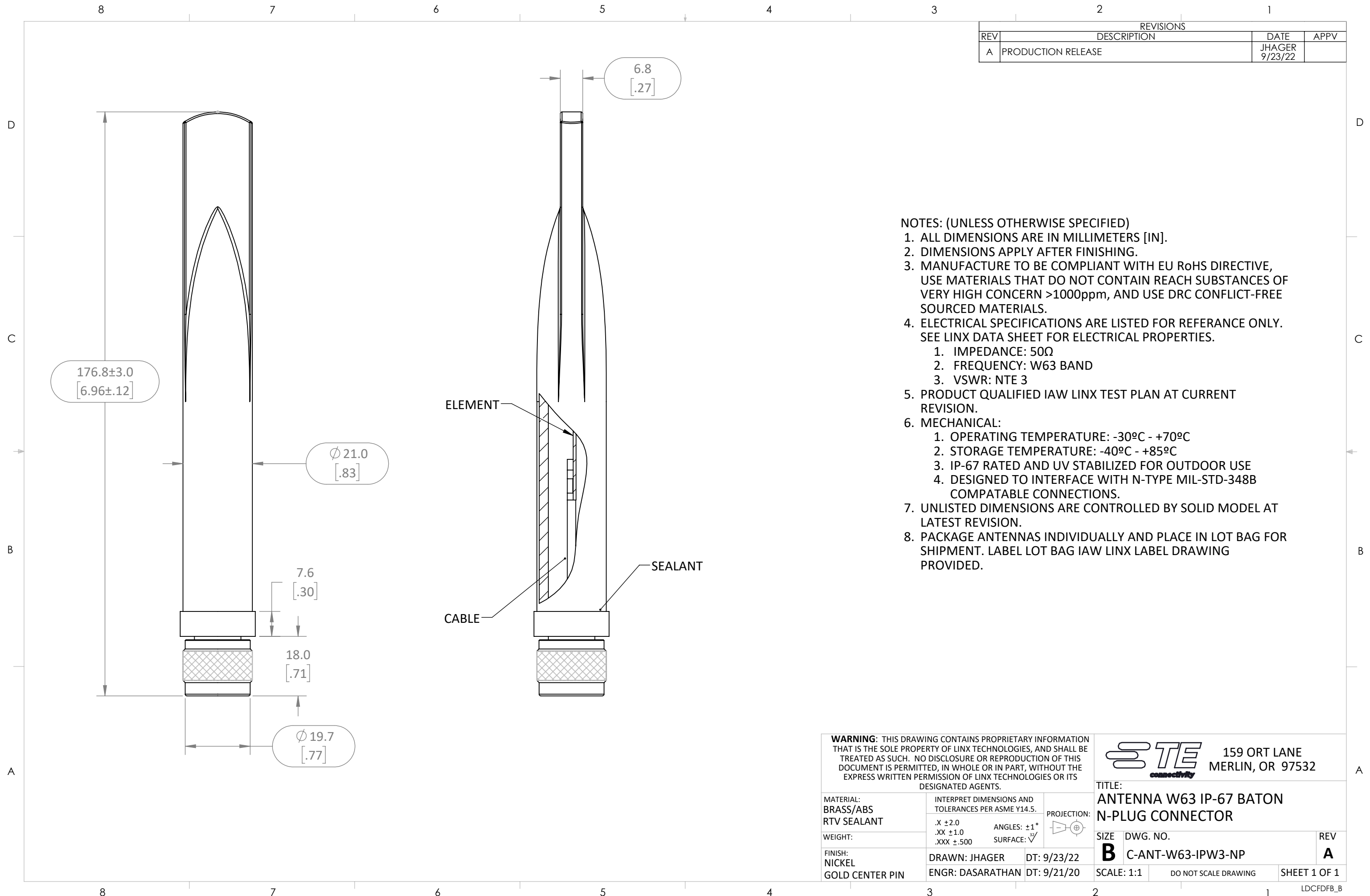


REVISIONS			
REV	DESCRIPTION	DATE	APPV
A	PRODUCTION RELEASE	JHAGER 9/23/22	



- NOTES: (UNLESS OTHERWISE SPECIFIED)
- ALL DIMENSIONS ARE IN MILLIMETERS [IN].
 - DIMENSIONS APPLY AFTER FINISHING.
 - MANUFACTURE TO BE COMPLIANT WITH EU RoHS DIRECTIVE, USE MATERIALS THAT DO NOT CONTAIN REACH SUBSTANCES OF VERY HIGH CONCERN >1000ppm, AND USE DRC CONFLICT-FREE SOURCED MATERIALS.
 - ELECTRICAL SPECIFICATIONS ARE LISTED FOR REFERENCE ONLY. SEE LINX DATA SHEET FOR ELECTRICAL PROPERTIES.
 - IMPEDANCE: 50Ω
 - FREQUENCY: W63 BAND
 - VSWR: NTE 3
 - PRODUCT QUALIFIED IAW LINX TEST PLAN AT CURRENT REVISION.
 - MECHANICAL:
 - OPERATING TEMPERATURE: -30°C - +70°C
 - STORAGE TEMPERATURE: -40°C - +85°C
 - IP-67 RATED AND UV STABILIZED FOR OUTDOOR USE
 - DESIGNED TO INTERFACE WITH N-TYPE MIL-STD-348B COMPATIBLE CONNECTIONS.
 - UNLISTED DIMENSIONS ARE CONTROLLED BY SOLID MODEL AT LATEST REVISION.
 - PACKAGE ANTENNAS INDIVIDUALLY AND PLACE IN LOT BAG FOR SHIPMENT. LABEL LOT BAG IAW LINX LABEL DRAWING PROVIDED.

WARNING: THIS DRAWING CONTAINS PROPRIETARY INFORMATION THAT IS THE SOLE PROPERTY OF LINX TECHNOLOGIES, AND SHALL BE TREATED AS SUCH. NO DISCLOSURE OR REPRODUCTION OF THIS DOCUMENT IS PERMITTED, IN WHOLE OR IN PART, WITHOUT THE EXPRESS WRITTEN PERMISSION OF LINX TECHNOLOGIES OR ITS DESIGNATED AGENTS.

STE 159 ORT LANE
connectivity MERLIN, OR 97532

MATERIAL: BRASS/ABS RTV SEALANT		INTERPRET DIMENSIONS AND TOLERANCES PER ASME Y14.5. .X ±2.0 .XX ±1.0 .XXX ±.500		PROJECTION: 	TITLE: ANTENNA W63 IP-67 BATON N-PLUG CONNECTOR	
WEIGHT:		FINISH: NICKEL GOLD CENTER PIN		DRAWN: JHAGER ENGR: DASARATHAN		DT: 9/23/22 DT: 9/21/20
SIZE B		DWG. NO. C-ANT-W63-IPW3-NP		REV A		SCALE: 1:1 DO NOT SCALE DRAWING SHEET 1 OF 1