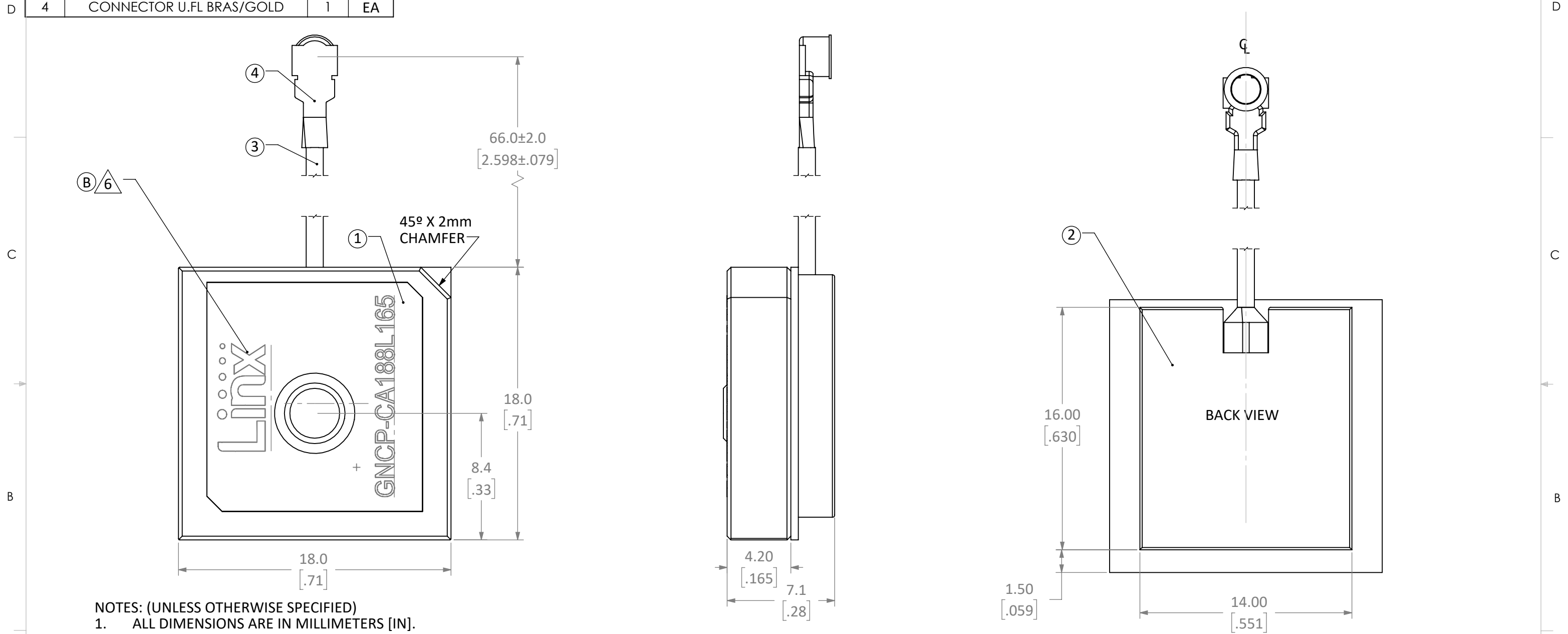


BILL OF MATERIALS			
ITEM	DESCRIPTION	QTY.	Unit
1	ANTENNA GNSS CP RHCP	1	EA
2	ACTIVE LNA BOARD AND AMPLIFIER	1	EA
3	CABLE 1.13mm COAX GREY	71	mm
4	CONNECTOR U.FL BRAS/GOLD	1	EA

REVISIONS			
REV	DESCRIPTION	DATE	APPV
B	RE-ORIENTED SILKSCREEN TO MATCH CURRENT ENGINEERING DATA SHEET. REWORD NOTE 6	JHAGER 11/9/2020	



NOTES: (UNLESS OTHERWISE SPECIFIED)

- ALL DIMENSIONS ARE IN MILLIMETERS [IN].
- DIMENSIONS APPLY AFTER FINISHING.
- MANUFACTURE TO BE COMPLIANT WITH EU RoHS DIRECTIVE, USE MATERIALS THAT DO NOT CONTAIN REACH SUBSTANCES OF VERY HIGH CONCERN >1000ppm, AND USE DRC CONFLICT-FREE SOURCED MATERIALS.
- ENVIRONMENTAL:
 - OPERATING TEMP: -40°C - 85°C (STORAGE UP TO 90°C)
 - RH: 40%-90%
- ELECTRICAL THROUGHPUT:
 - FRQ: 1.56GHz - 1.60GHz
 - GAIN @ 90°: 8dBi-8.5dBi
 - IMPEDANCE: 50Ω
 - VNA NOISE: 2.7-2.9dB TYP (+25°C)
 - VSWR: 2.0 MAX

6. SILKSCREEN LABELING USING BLACK PERMINANT LETTERING APPROXIMATELY AS SHOWN. FONT AND SIZE CONTROLLED BY OEM DATA AGREEMANT AT LATEST REVISION.

WARNING: THIS DRAWING CONTAINS PROPRIETARY INFORMATION THAT IS THE SOLE PROPERTY OF LINX TECHNOLOGIES, AND SHALL BE TREATED AS SUCH. NO DISCLOSURE OR REPRODUCTION OF THIS DOCUMENT IS PERMITTED, IN WHOLE OR IN PART, WITHOUT THE EXPRESS WRITTEN PERMISSION OF LINX TECHNOLOGIES OR ITS DESIGNATED AGENTS.

STE 159 ORT LANE
MERLIN, OR 97532
connectivity

TITLE: ANT GNSS L1 18x18 LNA UFL 65MM

MATERIAL: CERAMIC	INTERPRET DIMENSIONS AND TOLERANCES PER ASME Y14.5. .X ±2.0 .XX ±1.00 .XXX ±.500	ANGLES: ±1° SURFACE: √	PROJECTION: 	SIZE B	DWG. NO. C-ANT-GNCP-CA188L165	REV B
WEIGHT:	DRAWN: JHAGER	DT: 10/29/20	SCALE: 4:1	DO NOT SCALE DRAWING	SHEET 1 OF 1	
FINISH:	ENGR: DASARATHAN	DT: 10-JUL-08	LDCDFB_B			