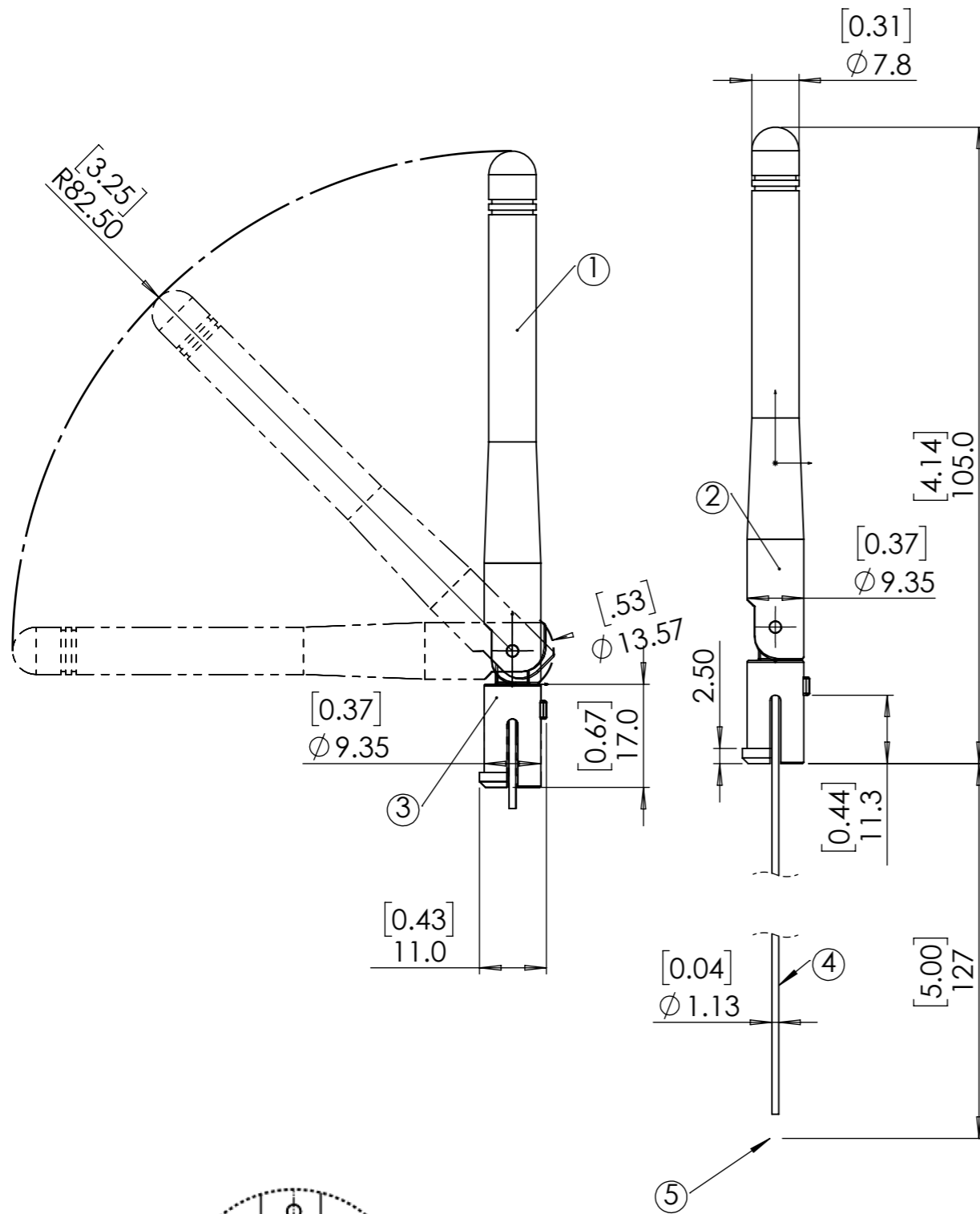
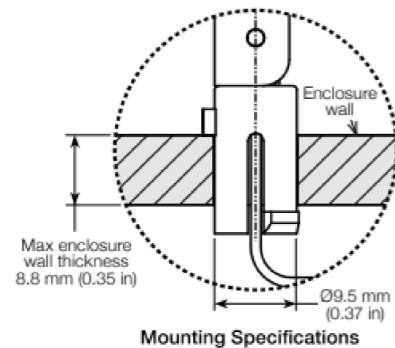


REVISIONS				
REV	DESCRIPTION	DATE	DWN	APVD
A	CUSTOMER DRAWING RELEASE	11/13/2023	JH	CM



- ALL DIMENSIONS ARE IN MM [INCHES].
- ALL MATERIALS PRODUCT AND PROCESSES MUST MEET REQUIREMENT OF TE CONNECTIVITY ENVIRONMENTAL STANDARD TEC-138-702 CONTAINS NO BANNED OR RESTRICTED SUBSTANCES.
- NO REACH SVHC SHALL BE CONTAINED ABOVE THE TRESHOLD AS DEFINED IN REACH SVHC COMPLIANCE DEFINITION IN ANNEX "A" OF TEC-138-702.
- ELECTRICAL DATA SHOWN FOR REFERENCE ONLY.
  - FREQUENCY: 2.4~2.5GHz
  - MAX POWER: 3W
  - OMNIDIRECTIONAL
  - GAIN: 2.0 dBi
  - DIPOLE TYPE
  - IMPEDANCE: 50Ω
  - VSWR <1.9 TYP @ CENTER
- ANTENNA QUALIFIED IAW 108-161079 INTERNAL TEST DOCUMENT AT LATEST REVISION.
- MECHANICAL :
  - INTERFACE: MHF1 IPEX FOR 1.13mm CABLE OR EQUIVINALT PART
  - COAX CABLE: 1.13mm 50Ω IMPEDANCE MID BEND RADIUS 5mm
  - OPERATING AND STORAGE TEMPERATURE: -20°C - +85°C
- PANEL MOUNT INSERT. Ø9.5 SUGGESTED THROUGH HOLE.
- PANEL THICKNESS: 7.93-8.73mm [5/16-11/32"]



ITEM LIST	
ITEM	DESCRIPTION
1	RADOME HOUS TPEE BLACK
2	BASE UPPER SWIVEL PC BLACK
3	BASE MOUNTING PC BLACK
4	CABLE COAX 1.13mm GRAY/BLACK
5	CONN MHF1/U.FL 20278-112R-13 OR EQ

THIS DRAWING IS A CONTROLLED DOCUMENT.		DWN	JHAGER	11/13/23	 TE Connectivity Panel-Mount Dipole 2.4GHz Antenna			
DIMENSIONS: mm		CHK	CLEWIS	11/13/23				
TOLERANCES UNLESS OTHERWISE SPECIFIED:		APVD	CMURPHY	11/13/23				
0 PLC ± 3 1 PLC ± 1.0 2 PLC ± 0.50 3 PLC ± 4 PLC ± ANGLES ± 30'		PRODUCT SPEC	108-161079					
MATERIAL TPEE PC		FINISH						
		APPLICATION SPEC	-					
		WEIGHT	g					
		SIZE	A3	00779	DRAWING NO	ANT-2.4-LPW-125	RESTRICTED TO	-
		CUSTOMER DRAWING	SCALE	1:1	SHEET	1 OF 1	REV	A