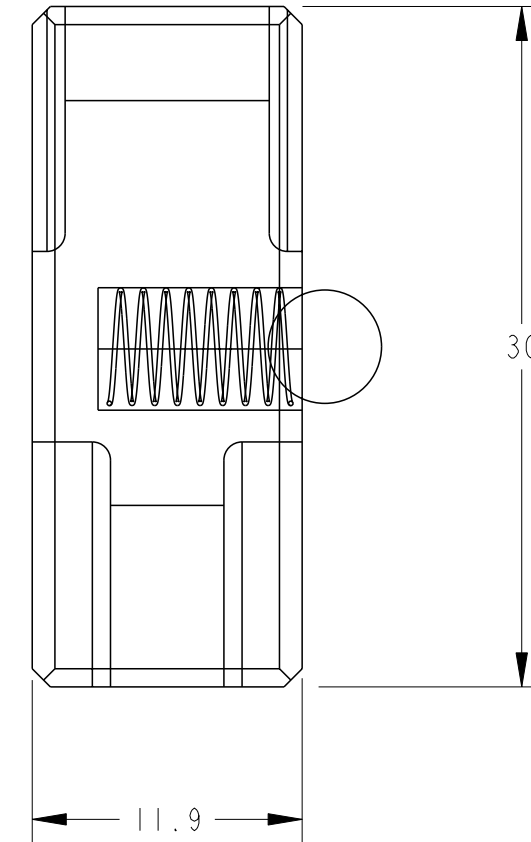
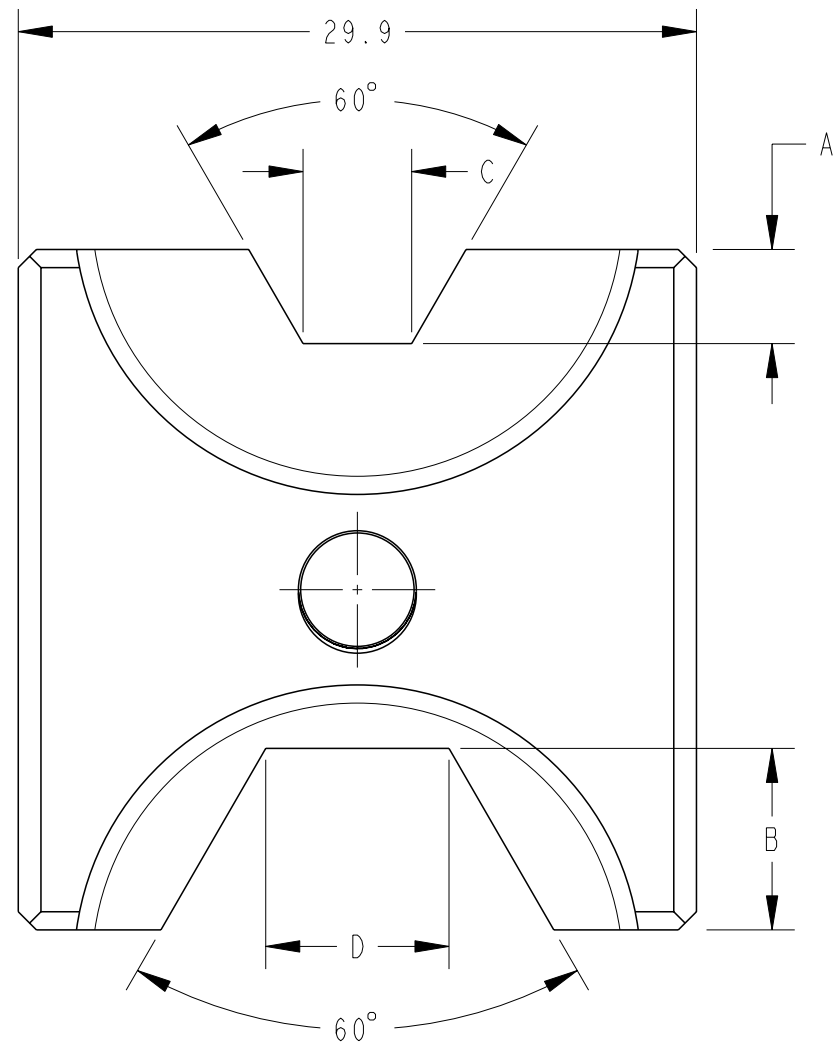


| P | LTR | DESCRIPTION | DATE | DWN | APVD |
|---|-----|-------------|-----------|-----|------|
| | A | NEW DRAWING | 09MAR2020 | NB | JL |
| | | | | | |
| | | | | | |



| | | | | | |
|------|------|------|------|--------------|-------------|
| 8.08 | 4.79 | 7.0 | 4.15 | 4 E 140-E 83 | 708810-1 |
| 9.99 | N/A | 8.65 | N/A | 4 E 173 | 708809-1 |
| 9.99 | N/A | 8.65 | N/A | 4 E 173/5 | 708808-1 |
| 3.93 | 6.93 | 3.4 | 6.0 | 4 E 120-E 68 | 708807-1 |
| 5.77 | 3.12 | 5.0 | 2.7 | 4 E 100-E 54 | 708806-1 |
| 4.16 | N/A | 3.6 | N/A | 4 E 72 | 708805-1 |
| D | C | B | A | DESCRIPTION | PART NUMBER |

NOTES

1. TOLERANCES ACCORDING TO ISO-2769-mk.
2. CRIMPING DIE ASSEMBLY IS MADE OF 2 DIES.

| | | | | | |
|--|--|--|-----------|------------------------|--------------------|
| THIS DRAWING IS A CONTROLLED DOCUMENT. | | DWN | 09MAR2020 | | |
| | | CHK | 09MAR2020 | | |
| | | APVD | 09MAR2020 | | |
| | | JONATHAN LARDEAU | | | |
| DIMENSIONS: mm | | TOLERANCES UNLESS OTHERWISE SPECIFIED: | | NAME 4E... | |
| | | 0 PLC ±0 1 PLC ±0 2 PLC ±0 3 PLC ±0 4 PLC ±0 ANGLES ± FINISH - | | PRODUCT SPEC - | |
| MATERIAL PROTECTED STEEL | | WEIGHT - | | APPLICATION SPEC - | |
| | | CUSTOMER DRAWING | | SIZE A3 | CAGE CODE 00779 |
| | | SCALE 3:1 | | DRAWING NO G-708810 | RESTRICTED TO - |
| | | SHEET 1 OF 1 | | REV A | |