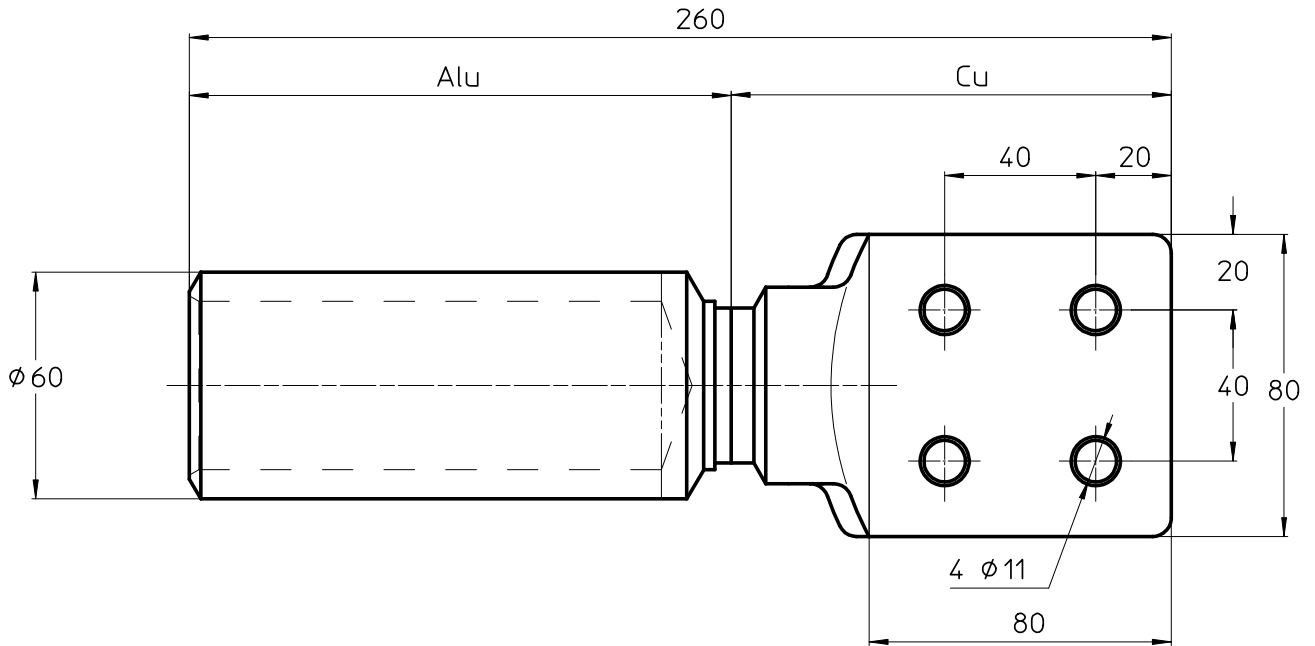
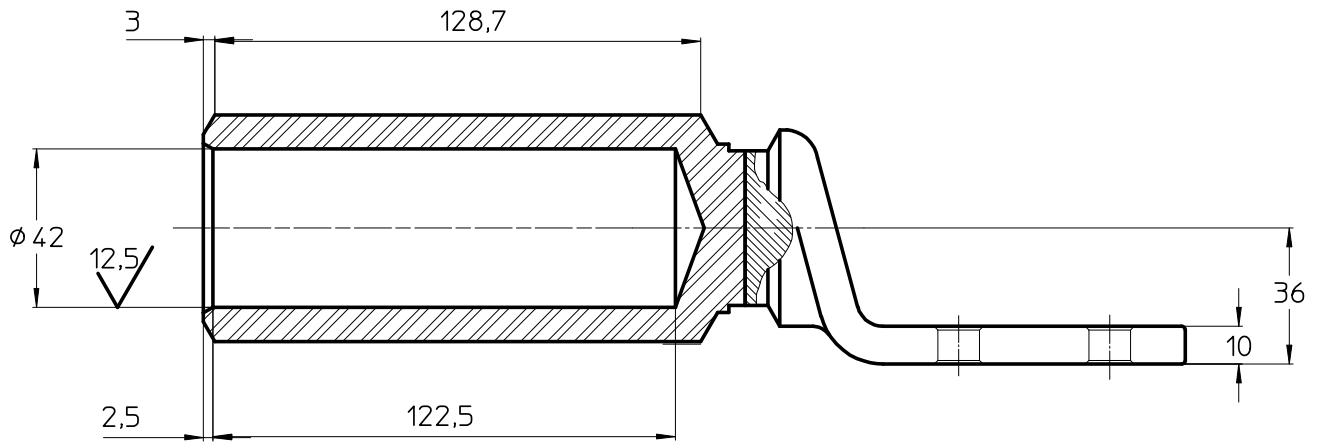


LOC	DIST	REVISIONS				
P	LTR REV	DESCRIPTION MODIFICATIONS	DATE	DWN DESS.	APVD APPR	
FH	00	A	CREATION	19-Jan-09	GC	GP



MARQUAGE/MARKING: DESCRIPTION LOGO LOT OUTILLAGE
DESCRIPTION LOGO BATCH DIE

OUTILLAGE/DIE: MC7E 7E

708273-2

Part Number

DIMENSIONS: mm	DWN /DESSINE G.CARLHIAN	19-Jan-09	MATERIAL MATIERE	Alu 1050A/Cu ETP	FINISH FINITION	-		
	CHK /VERIFIE L.MAINIER	-						
TOLERANCES UNLESS OTHERWISE SPECIFIED PER TOLERANCES NON SPECIFIEES SELON :-	APVD /APPROUVE G.PORCHERAY	-						
	PRODUCT SPEC SPEC. PRODUIT	-	NAME TITRE	XDX 1000 C7AU 1000				
	APPLICATION SPEC SPEC. APPLICATION	-	SIZE FORMAT	A4	CAGE CODE	00779		
	APPROX. WEIGHT MASSE APPROX.	-	DRAWING NO No PLAN	© = 708273-2		RESTRICTED TO RESERVE A	-	
CUSTOMER DWG / PLAN CLIENT			UNIQUEMENT POUR REFERENCE	SCALE ECHELLE	1:1	SHEET FEUILLE	1 OF 1 DE 1	REV A