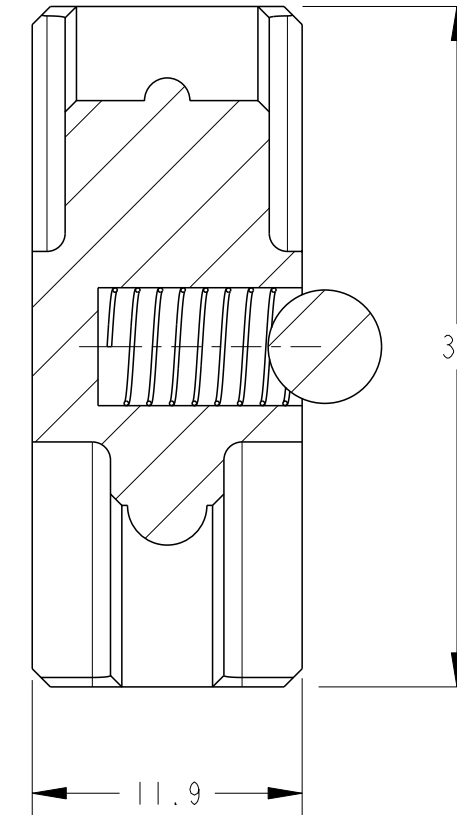
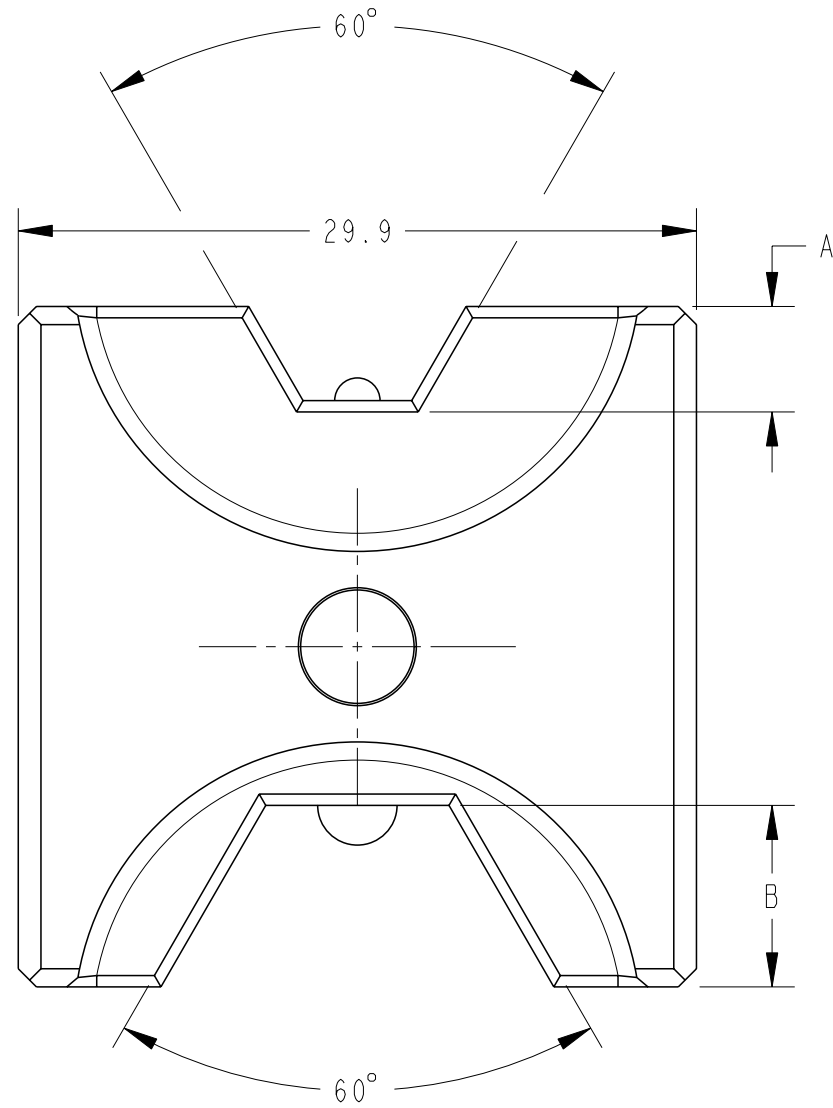


© 2020 TE Connectivity. All Rights Reserved.

REVISIONS ÄNDERUNGEN					
P	LTR	DESCRIPTION BESCHREIBUNG	DATE	DWN	APVD
	A	NEW DRAWING	09MAR2020	NB	BP



6.15	3.85	4 E 70-25 CTN	7.847.7288	718439-1
5.55	3.3	4 E 50-16 CTN	7.847.7287	718438-1
7.0	2.9	4 E 35-10 CTN	7.847.7286	718437-1
N/A	3.6	4 E 8 CT	-0.391.6854	709485-1
6.15	3.85	4 E 70-25 CTN	0.391.6853	707958-1
5.55	3.3	4 E 50-16 CTN	0.391.6852	707957-1
4.45	2.9	4 E 35-10 CTN	0.391.6851	707956-1
B	A	DESCRIPTION		PART NUMBER

NOTES

1. TOLERANCES ACCORDING TO ISO-2769-mk.
2. CRIMPING DIE ASSEMBLY IS MADE OF 2 DIES.

THIS DRAWING IS A CONTROLLED DOCUMENT.		DWN N BASAVARAJ 09MAR2020													
DIMENSIONS: MASSEINHEITEN: mm		CHK B PELTIER 09MAR2020													
TOLERANCES UNLESS OTHERWISE SPECIFIED: ALLGEMEINTOLERANZEN		APVD A GUICHARD 09MAR2020	NAME 4E.....CTN												
		PRODUCT SPEC PRODUKTSPEZ.	-												
<table border="1"> <tr><td>0 PLC</td><td>±0</td></tr> <tr><td>1 PLC</td><td>±0</td></tr> <tr><td>2 PLC</td><td>±0</td></tr> <tr><td>3 PLC</td><td>±0</td></tr> <tr><td>4 PLC</td><td>±0</td></tr> </table>		0 PLC	±0	1 PLC	±0	2 PLC	±0	3 PLC	±0	4 PLC	±0	APPLICATION SPEC VERARBEITUNGSSPEZ.	-		
0 PLC	±0														
1 PLC	±0														
2 PLC	±0														
3 PLC	±0														
4 PLC	±0														
MATERIAL PROTECTED STEEL		WEIGHT GEWICHT	SIZE A3	CAGE CODE 00779	DRAWING NO ZEICHNUNGS-NR. G=707957	RESTRICTED TO NUR FUER -									
FINISH/OBERFLAECHE/FARBE -		CUSTOMER DRAWING	/KUNDENZEICHNUNG		SCALE MASSSTAB 3:1	SHEET BLATT OF VON 1									
					REV A										