

THIS DRAWING IS UNPUBLISHED. RELEASED FOR PUBLICATION  
 © COPYRIGHT - TE Connectivity Ltd. ALL RIGHTS RESERVED.

| REVISIONS |     |                 |           |       |
|-----------|-----|-----------------|-----------|-------|
| P         | LTR | DESCRIPTION     | DATE      | APVD  |
|           | A   | INITIAL DRAWING | 06SEP2019 | RV TN |

### Ordering Information

Sample Part Number ▶ **720TDX**

- Type:
- 710TD = 120V, 220V, 266V line to neutral
  - 720TD = 120V, L-L, 3 Phase
  - 721TD = 230V, L-L, 3 Phase
  - 722TD = 380V, L-L, 3 Phase
  - 723TD = 460V, L-L, 3 Phase
  - 724TD = 575V, L-L, 3 Phase
  - 725TD = 416V, L-L, 3 Phase
  - 730TD = 120 V, 230 V, 380 V, 460 V, L-L, 3 Phase or 120 V, Single Phase, L-N

Mounting:  
X = Flange

Options:  
7 = Reverse Inductive, 60 Hz

Function: 32

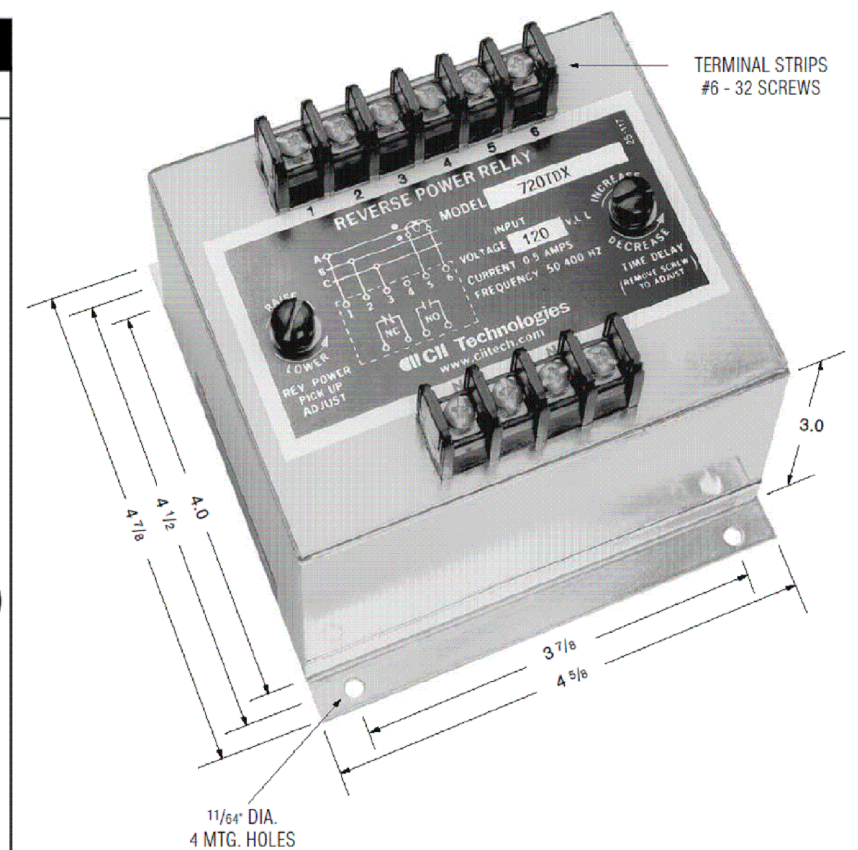
- ANSI/IEEE C37.90-1978
- UL file No. E58048
- CSA file No. LR61158



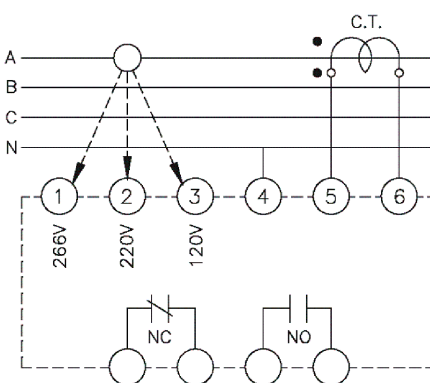
Several types of Reverse Power Relays are available including relays sensitive to reverse reactive power (KVAR). WILMAR is the leading brand of reverse power relays. Our rugged sealed construction provides continuous and reliable operation unaffected by shock, vibration or other severe environments. Reverse Power Relays are used for the protection of generator sets operating in parallel.

- Notes:**
1. Remove screw for access to the pick-up and time delay adjustments.
  2. Clockwise rotation of the pick-up adjustment will raise the reverse trip point.
  3. Clockwise rotation of the time adjustment will increase the time delay.
  4. Polarity of the voltage and the current connections must be observed for true power sensing.
  5. Interchanging connections on terminals 5 and 6, will cause the output contacts to pick-up on forward power and dropout on no power or reverse power.

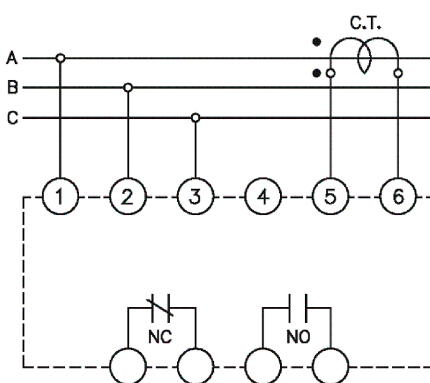
| PRODUCT SPECIFICATIONS      |  |
|-----------------------------|--|
| <b>Part Number</b>          | <b>700TD Series</b>  |
| Line Voltage.....           | Model 710TD = 120 V, 220 V or 266 V, line to neutral<br>Model 730TD = 120 V, 230 V, 380 V, 460 V, L-L, 3 Phase or 120 V, Single Phase, L-N |
| Operating Temperature Range | -40C to +70C   |
| Line Frequency.....         | 50-500 Hz.   |
| Current Requirements.....   | 0 to 5 amp max direct or from CT with 5 amp secondary  |
| Trip Adjustment.....        | Screwdriver adjustable 4% to 20% (of the 5 amp rating)   |
| Time Delay Adjustment.....  | 0.5 to 20 seconds, screwdriver adjustable  |
| Output Contacts.....        | One set N.O., one set N.C.   |
| Contact Ratings.....        | 5 amp resistive at 120 AC or 28 Vdc  |
| Power Consumption.....      | Voltage circuit: 2 VA max.<br>Current circuit: 4 VA max.   |



Model 710TD



Model 720TD (X) thru 724TD (X)



ALL DIMENSIONS ARE IN INCHES

|  |     |                   |                 |              |               |                                      |     |       |     |       |     |        |     |                  |         |  |  |
|--|-----|-------------------|-----------------|--------------|---------------|--------------------------------------|-----|-------|-----|-------|-----|--------|-----|------------------|---------|--|--|
| THIS DRAWING IS A CONTROLLED DOCUMENT.   |     | DWN RV 06SEP2019  | TE Connectivity |              |               |                                      |     |       |     |       |     |        |     |                  |         |  |  |
| DIMENSIONS: INCHES   |     | CHK RV 06SEP2019  |                 |              |               | NAME 700 SERIES RELAY, REVERSE POWER |     |       |     |       |     |        |     |                  |         |  |  |
| TOLERANCES UNLESS OTHERWISE SPECIFIED:   |     | APVD TN 06SEP2019 | PRODUCT SPEC    |              |               |                                      |     |       |     |       |     |        |     |                  |         |  |  |
| <table border="0"> <tr><td>0 PLC</td><td>± -</td></tr> <tr><td>1 PLC</td><td>± -</td></tr> <tr><td>2 PLC</td><td>± -</td></tr> <tr><td>3 PLC</td><td>± -</td></tr> <tr><td>4 PLC</td><td>± -</td></tr> <tr><td>ANGLES</td><td>± -</td></tr> </table> |     | 0 PLC             | ± -             | 1 PLC        | ± -           | 2 PLC                                | ± - | 3 PLC | ± - | 4 PLC | ± - | ANGLES | ± - | APPLICATION SPEC | SIZE A3 |  |  |
| 0 PLC  | ± - |                   |                 |              |               |                                      |     |       |     |       |     |        |     |                  |         |  |  |
| 1 PLC  | ± - |                   |                 |              |               |                                      |     |       |     |       |     |        |     |                  |         |  |  |
| 2 PLC  | ± - |                   |                 |              |               |                                      |     |       |     |       |     |        |     |                  |         |  |  |
| 3 PLC  | ± - |                   |                 |              |               |                                      |     |       |     |       |     |        |     |                  |         |  |  |
| 4 PLC  | ± - |                   |                 |              |               |                                      |     |       |     |       |     |        |     |                  |         |  |  |
| ANGLES   | ± - |                   |                 |              |               |                                      |     |       |     |       |     |        |     |                  |         |  |  |
| MATERIAL   |     | WEIGHT            | CAGE CODE       | DRAWING NO   | RESTRICTED TO |                                      |     |       |     |       |     |        |     |                  |         |  |  |
| -  |     | -                 | -               | C-700-SERIES | -             |                                      |     |       |     |       |     |        |     |                  |         |  |  |
| CUSTOMER DRAWING   |     |                   | SCALE NTS       | SHEET 1 OF 1 | REV A         |                                      |     |       |     |       |     |        |     |                  |         |  |  |