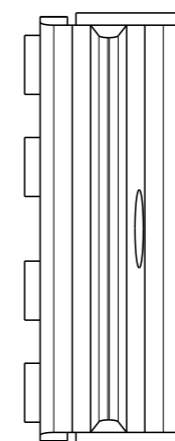
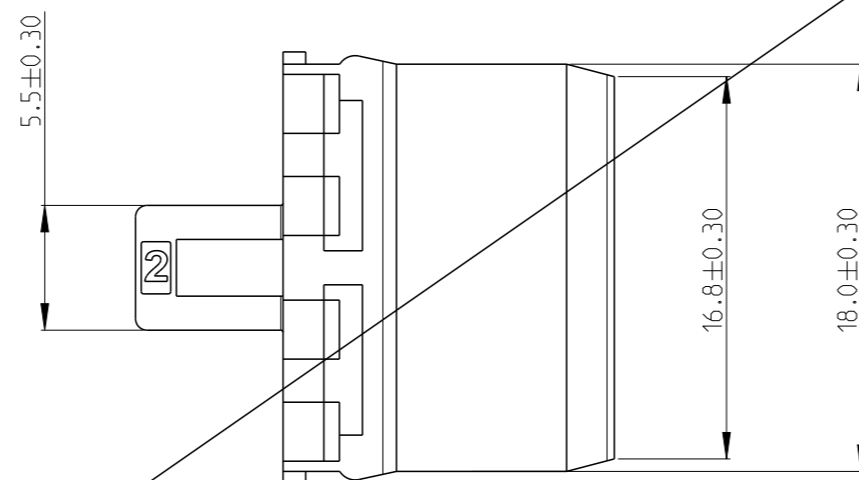
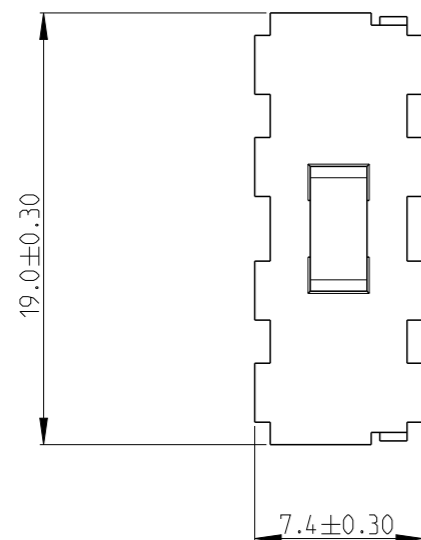
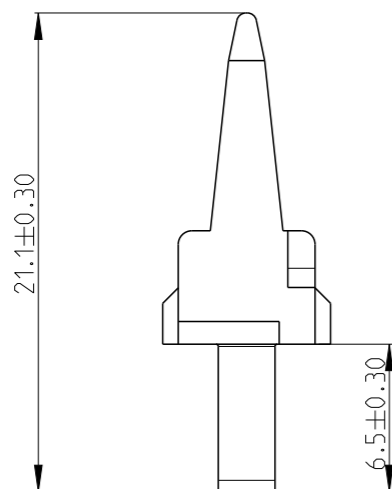
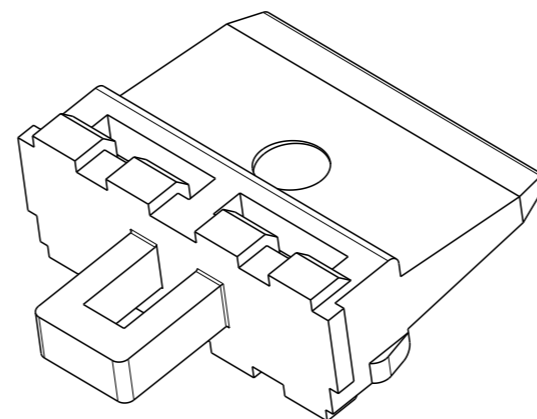


P	LTR	DESCRIPTION	DATE	DWN	APVD
	A	INITIAL RELEASE	22 JUN 2020	J.S	I.Y
	A1	ECR-20-010349	26 JUL 2020	J.G	I.Y
	A2	ECN-22-139062	15 FEB 2022	J.G	Z.Z



**OBSOLETE**

1. THIS RECEPTACLE WEDGELOCK USED FOR 8CCT RECEPTACLE CONNECTOR, PN X-2600038-X .  
 2. COLOUR: GREEN.

2600040-1	934475003	GREEN	NYLON GF30
TE PN	ALIAS PN	COLOUR	MATERIAL

THIS DRAWING IS A CONTROLLED DOCUMENT.		DWN	J.Gu	26 JUL 2020		NAME 8CCT DT-XT RECEPTACLE WEDGELOCK		
DIMENSIONS:		CHK	E. Jiang	26 JUL 2020				
mm		APVD	I. Yin	26 JUL 2020				
		PRODUCT SPEC	108-160026					
TOLERANCES UNLESS OTHERWISE SPECIFIED:		APPLICATION SPEC	114-160017		SIZE	CAGE CODE	DRAWING NO	RESTRICTED TO
0 PLC	±	WEIGHT	-		A3	00779	©=2600040	-
1 PLC	±	CUSTOMER DRAWING		SCALE	3:1	SHEET	1 OF 1	REV
2 PLC	±							A2
3 PLC	±							
4 PLC	±							
ANGLES	±							
MATERIAL	-							
FINISH	-							