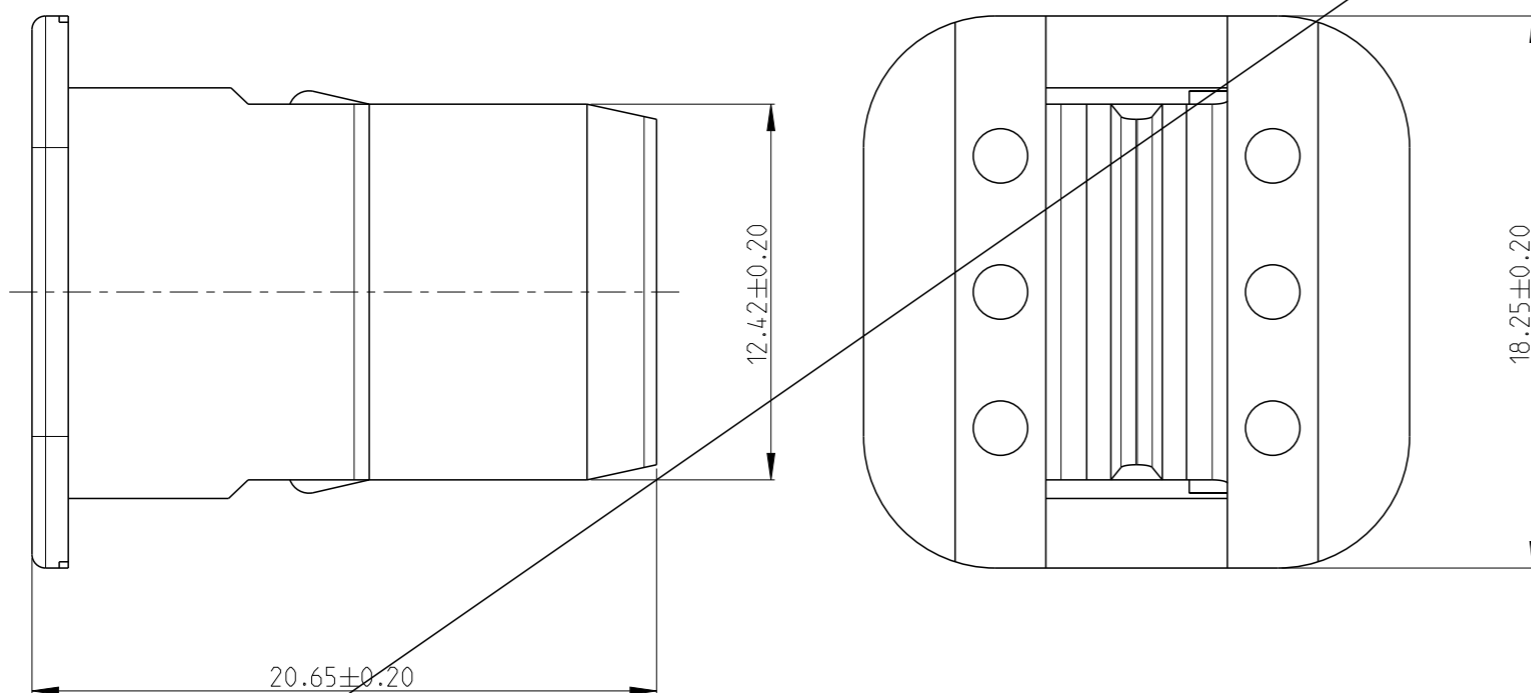
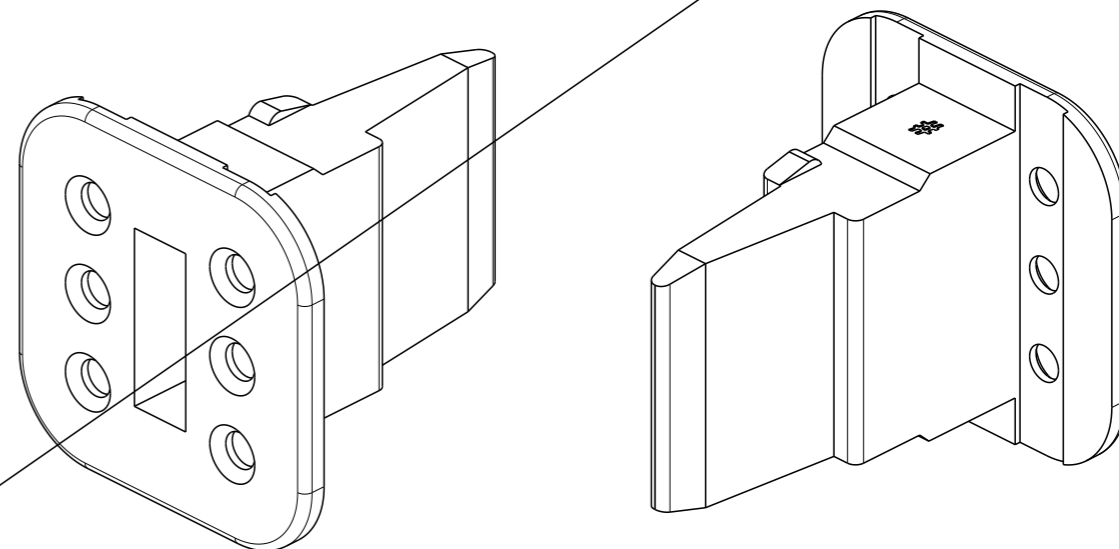
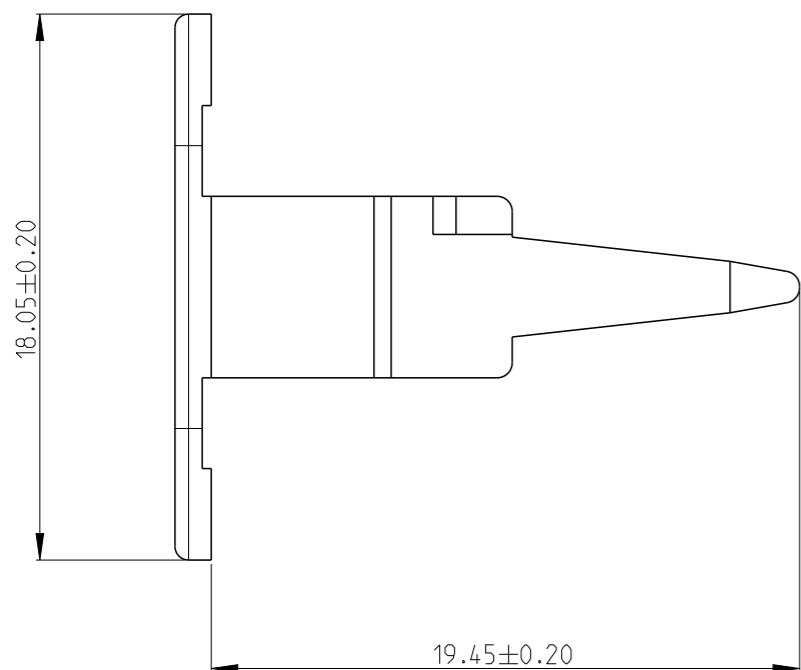



P	LTR	DESCRIPTION	DATE	DWN	APVD
	A	INITIAL RELEASE	19JUN2020	J.G	I.Y
	A1	ECR-20-010349	26JUL2020	J.G	I.Y
	A2	ECN-22-139062	15FEB2022	J.G	Z.Z



**OBSOLETE**

- 1. MATERIAL: NYLON GF30, COLOUR: SEE TABLE
- 2. THIS PRODUCT IS USED FOR 6CCT PLUG CONNECTOR, PN X-2600035-X

2600037-2	934484008	ORANGE
2600037-1	934484003	GREEN
TE PN	ALIAS PN	COLOUR

THIS DRAWING IS A CONTROLLED DOCUMENT.		DWN J.GU 26JUL2020	 TE Connectivity				
DIMENSIONS: mm		CHK E. JIANG 26JUL2020				NAME 6CCT DT-XT PLUG WEDGELOCK	
TOLERANCES UNLESS OTHERWISE SPECIFIED:		APVD I.YIN 26JUL2020				PRODUCT SPEC 108-160026	
0 PLC ± 1 PLC ± 2 PLC ± 3 PLC ± 4 PLC ± ANGLES ± FINISH -		APPLICATION SPEC 114-160017				SIZE A3	CAGE CODE 00779
MATERIAL -		WEIGHT -	CUSTOMER DRAWING		SCALE 4:1	SHEET 1 OF 1	REV A2