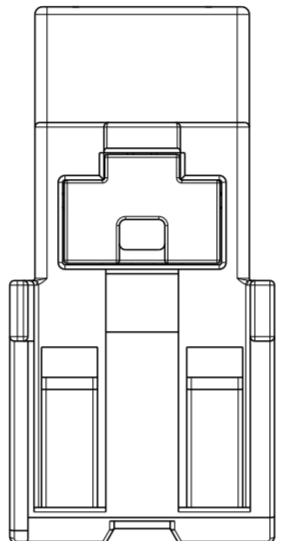
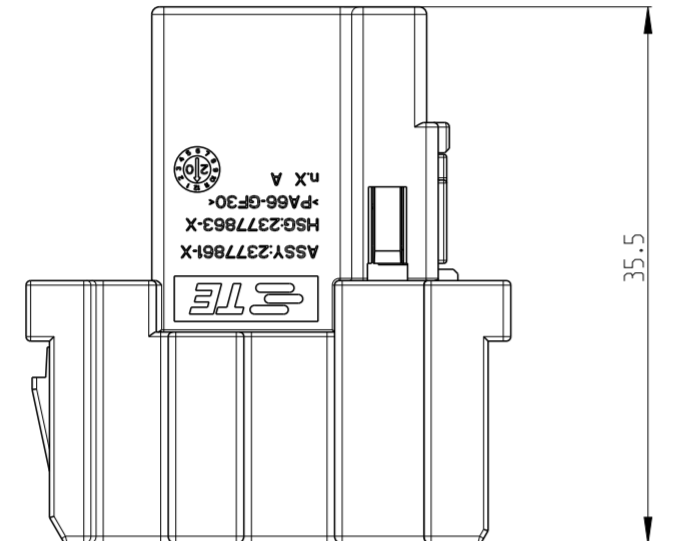
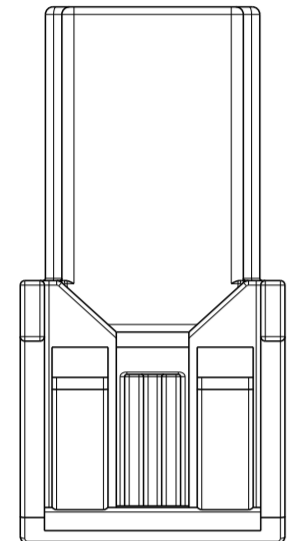
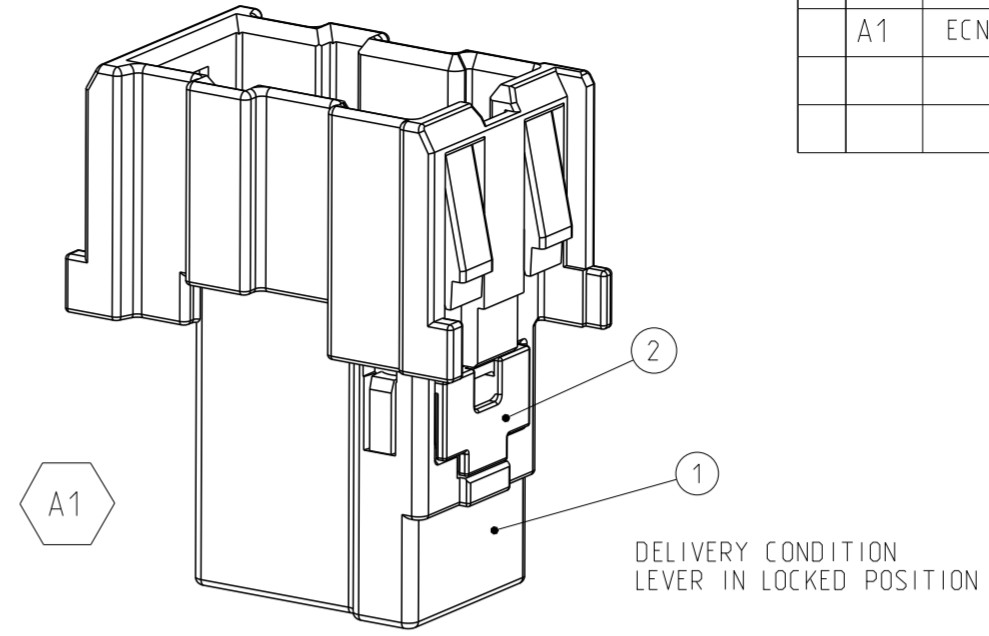
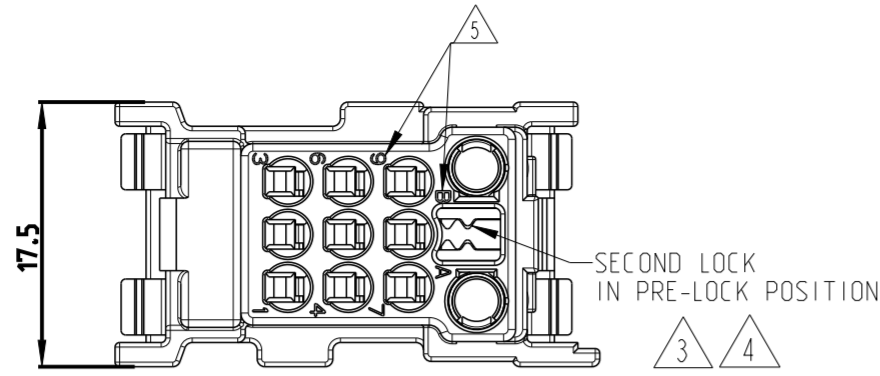
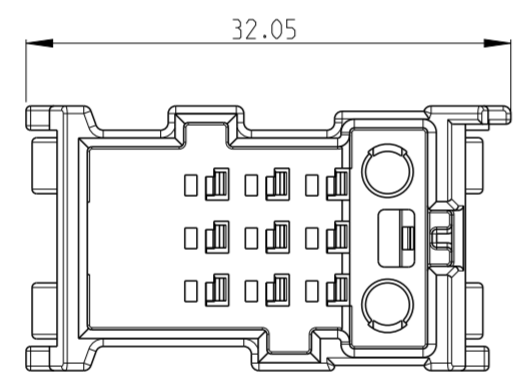


REVISIONS					
P	LTR	DESCRIPTION	DATE	DWN	APVD
	A	INITIAL RELEASE	17NOV2020	J.S	I.Y
	A1	ECN-21-130350	15DEC2021	J.S	Z.Z

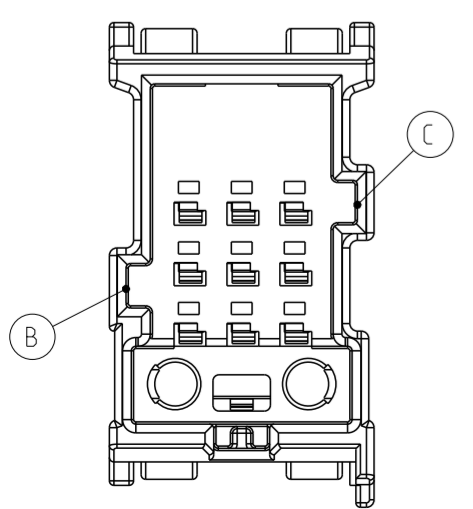


1. THIS PLUG MATES WITH PLUG 2377860-X. (X=1, 2, 3, 4 FOR VARIOUS CODE).
2. MATERIAL: SEE TABLE.
3. INSTALL SECONDARY LOCK ONTO HOUSING AS SHOWN. THE ASSEMBLY PROCESS MUST NOT DAMAGE HOUSING AND SECONDARY LOCK.
4. VERIFY THE SECOND LOCK SEATED ON PRE-LOCK POSITION FOR DELIVERY. PULL SECOND LOCK TO PRE-LOCK BEFORE TERMINAL INSERTION IN CASE OF SECOND LOCK BEING HIT TO END-LOCK POSITION.
5. IDENTIFICATION FOR CABLE PINOUT.
6. REFER TO 114-18464 FOR MCON1.2 CB CONTACT SYSTEM APPLICATION SPECIFICATION. REFER TO 114-94413 FOR MATE-AX Contact Kit 180° APPLICATION SPECIFICATION. APPLICABLE TERMINAL PART NUMBERS AND WIRE SIZE SHOWN AS BELOW FOR RECOMMEND. CONSULT TE CONNECTIVITY FOR MORE APPLICATION INFORMATION.
7. 11POS HYBRID TAB AND PLUG CONNECTOR ASSY MATES WITH BULKHEAD BRACKET. BULKHEAD BRACKET P/N: 2050752-1 OR FOLLOW DIMENSIONS ON INTERFACE. IF THERE ARE ANY OTHER APPLICATIONS FOR THIS BRACKET, PLEASE CONFIRM WITH TE CONNECTIVITY FIRST.

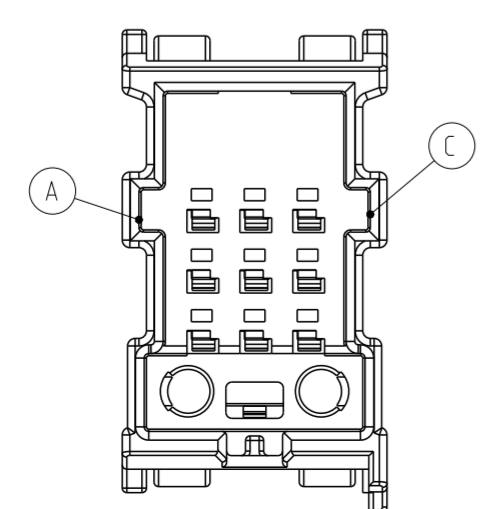


QTY	DESCRIPTION	MATERIAL	COLOUR	ITEM NO			
1	1	1	1	SECONDARY LOCK	PA66-GF30	YELLOW	2
1				HOUSING.CODE D	PA66-GF30	BLUE	1
	1			HOUSING.CODE C	PA66-GF30	GREEN	
		1		HOUSING.CODE B	PA66-GF30	GRAY	
			1	HOUSING.CODE A	PA66-GF30	BLACK	
-4	-3	-2	-1	DESCRIPTION	MATERIAL	COLOUR	ITEM NO
D	C	B	A	CODING			
A	A	A	A	REVISION OF EACH ASSY NO (WHEN BLANK, USE DWG REVISION)			
6.91	6.91	6.91	6.91	WEIGHT OF EACH ASSY NO [g]			
QTY REQD PER ASSY				PARTS LIST			

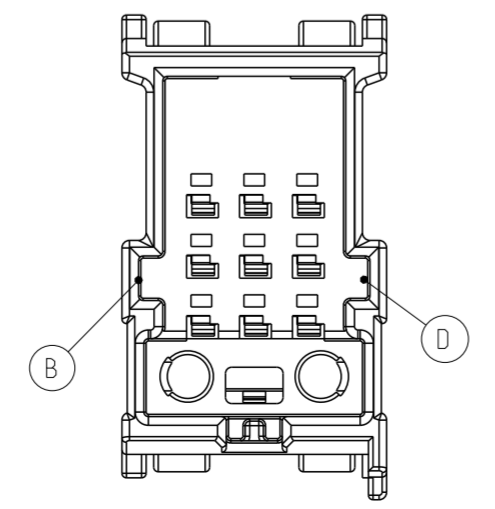
2377861-1  
CODING A = GROOVS B-C



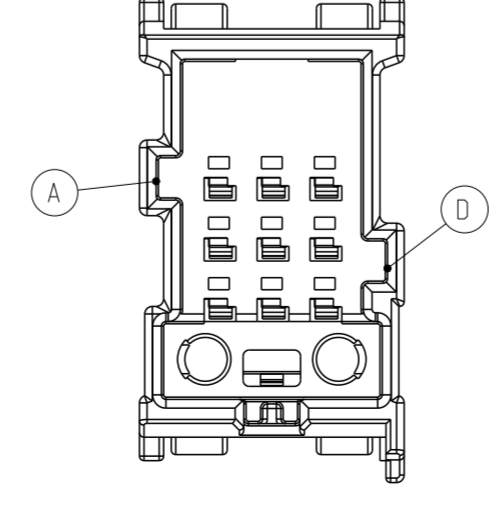
2377861-2  
CODING B = GROOVS A-C



2377861-3  
CODING C = GROOVS B-D



2377861-4  
CODING D = GROOVS A-D



THIS DRAWING IS A CONTROLLED DOCUMENT.

DIMENSIONS:	TOLERANCES UNLESS OTHERWISE SPECIFIED:	DWN	17NOV2020
mm	0 PLC ±	J. SHANG	
	1 PLC ±0.2	CHK	17NOV2020
	2 PLC ±0.1	C. WAN	
	3 PLC ±	APVD	17NOV2020
	4 PLC ±	J. YIN	
	ANGLES ±	PRODUCT SPEC	108-160086
	FINISH ±	APPLICATION SPEC	114-160052
MATERIAL		WEIGHT	-
-		CUSTOMER DRAWING	

NAME	11POS, HYBRID, TAB CONNECTOR MCON1.2 CB + MATE-AX CONTACTS		
SIZE	CAGE CODE	DRAWING NO	RESTRICTED TO
A2	00779	C-2377861	-
SCALE		SHEET	REV
2:1		1 OF 2	A1

4

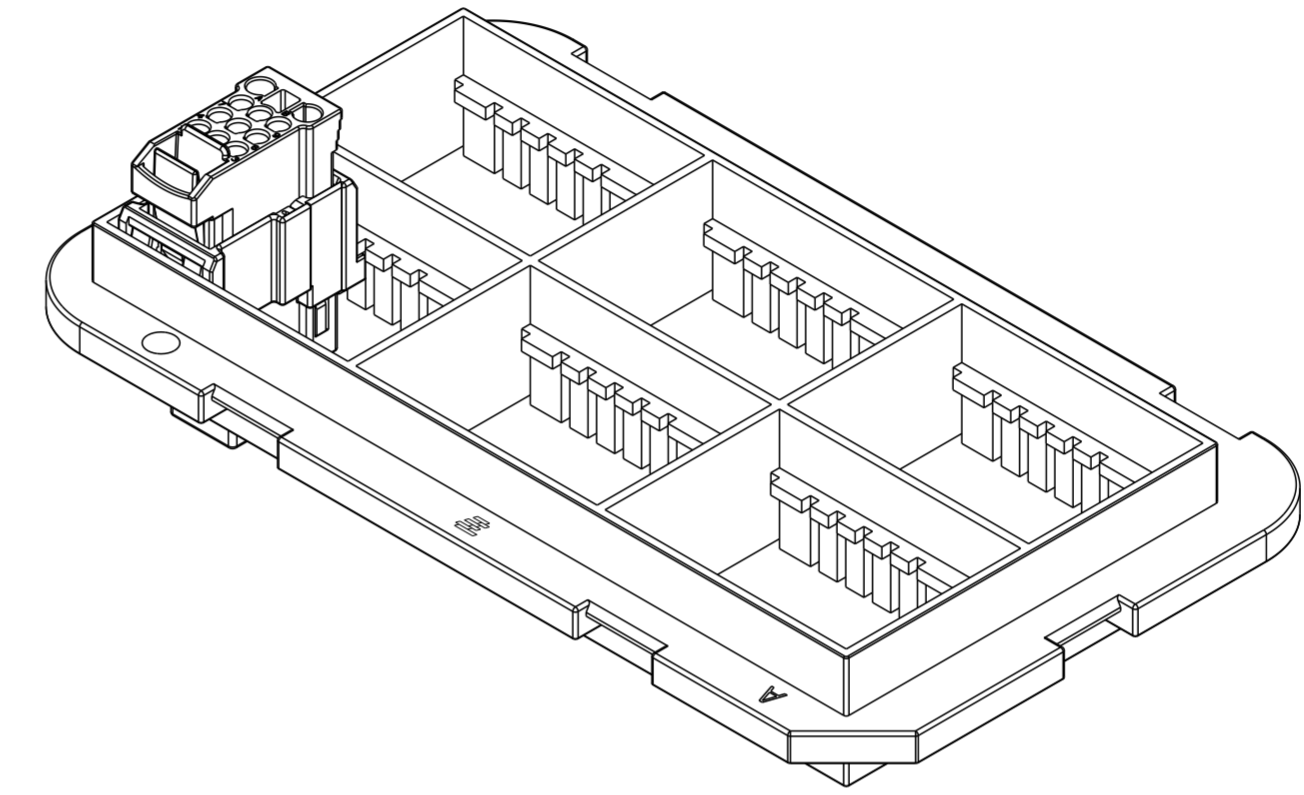
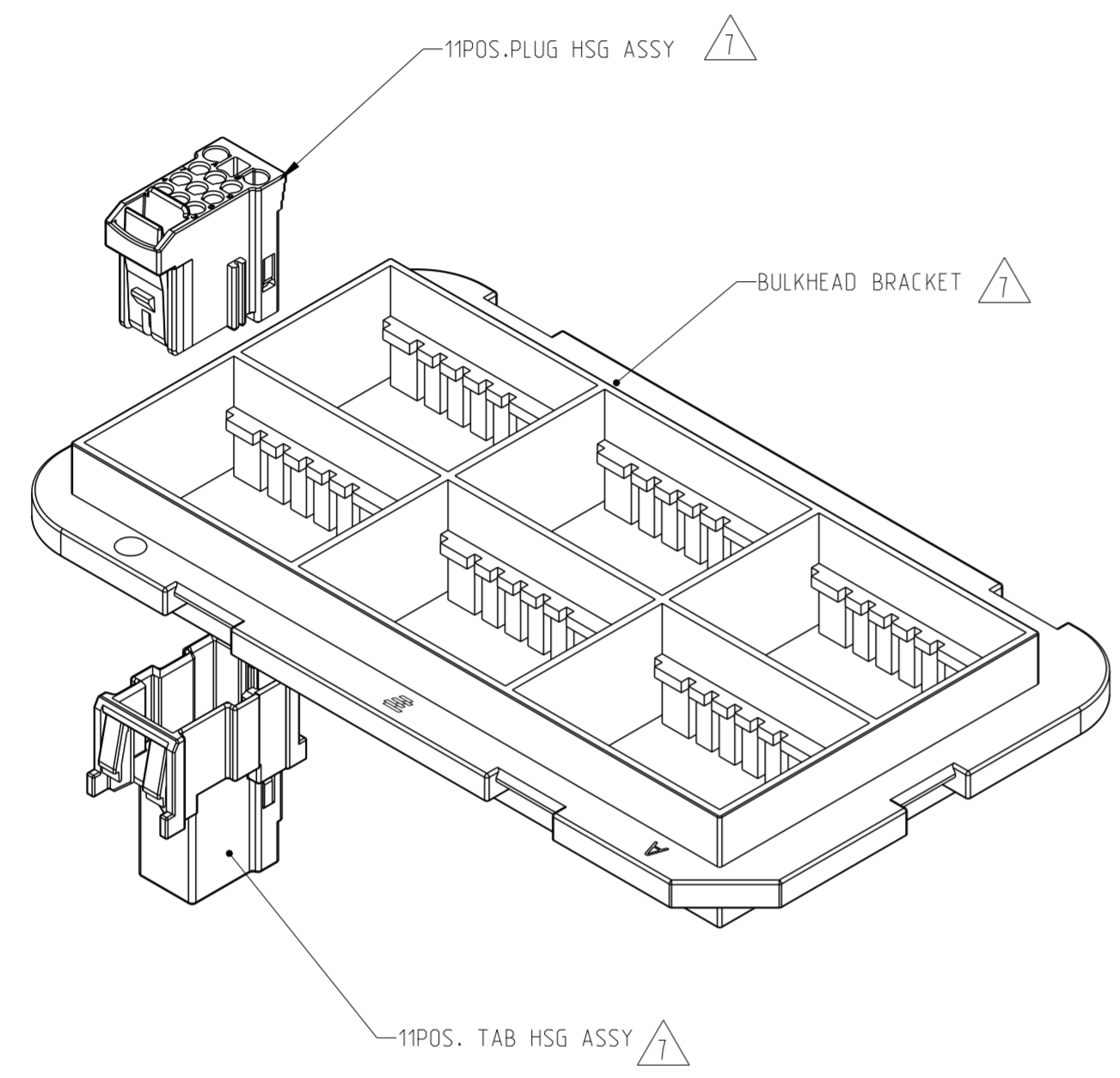
3

2

1

© 2020 TE Connectivity. All Rights Reserved.

REVISIONS				
P	LTR	DESCRIPTION	DATE	APVD
		SEE SHEET 1		



THIS DRAWING IS A CONTROLLED DOCUMENT.		DWN J. SHANG 17NOV2020																
DIMENSIONS: mm		CHK C. WAN 17NOV2020																
TOLERANCES UNLESS OTHERWISE SPECIFIED:		APVD J. YIN 17NOV2020	NAME 11POS. HYBRID, TAB CONNECTOR MCON1.2 CB + MATE-AX CONTACTS															
<table border="0"> <tr> <td>0 PLC</td> <td>±</td> </tr> <tr> <td>1 PLC</td> <td>±</td> </tr> <tr> <td>2 PLC</td> <td>±</td> </tr> <tr> <td>3 PLC</td> <td>±</td> </tr> <tr> <td>4 PLC</td> <td>±</td> </tr> <tr> <td>ANGLES</td> <td>±</td> </tr> <tr> <td>FINISH</td> <td></td> </tr> </table>		0 PLC	±	1 PLC	±	2 PLC	±	3 PLC	±	4 PLC	±	ANGLES	±	FINISH		PRODUCT SPEC 108-160086	SIZE A2	
0 PLC	±																	
1 PLC	±																	
2 PLC	±																	
3 PLC	±																	
4 PLC	±																	
ANGLES	±																	
FINISH																		
MATERIAL		APPLICATION SPEC 114-160052	CAGE CODE 100779	DRAWING NO C-2377861														
		WEIGHT -	RESTRICTED TO -															
		CUSTOMER DRAWING	SCALE 2:1	SHEET 2 OF 2														
			REV A1															