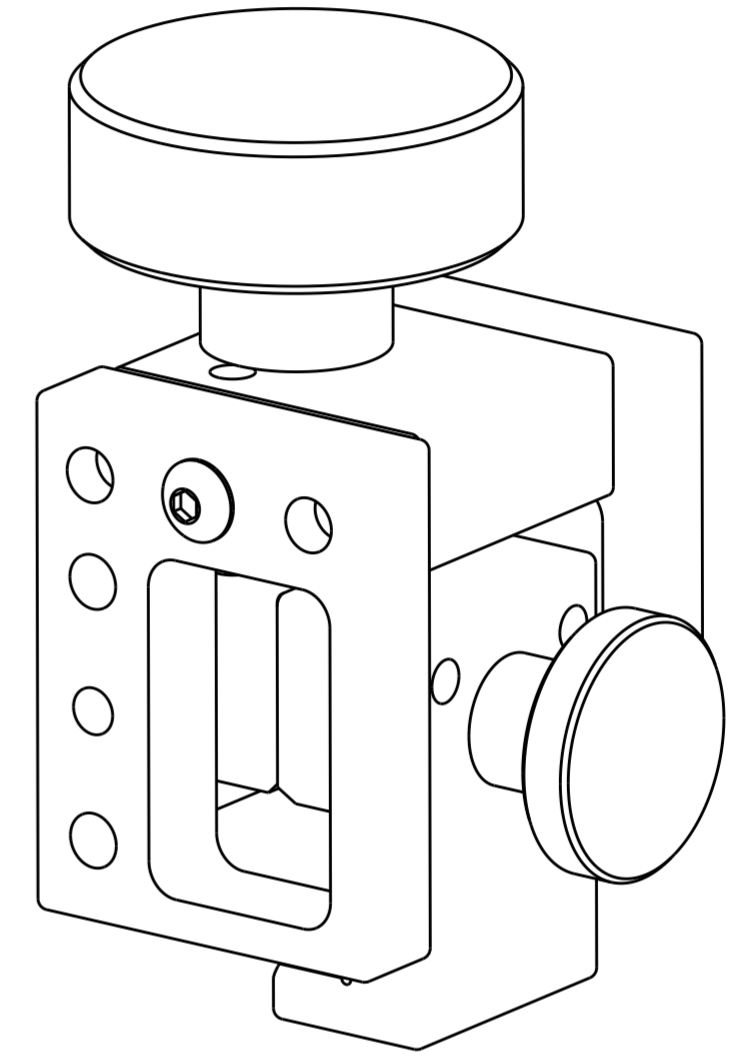
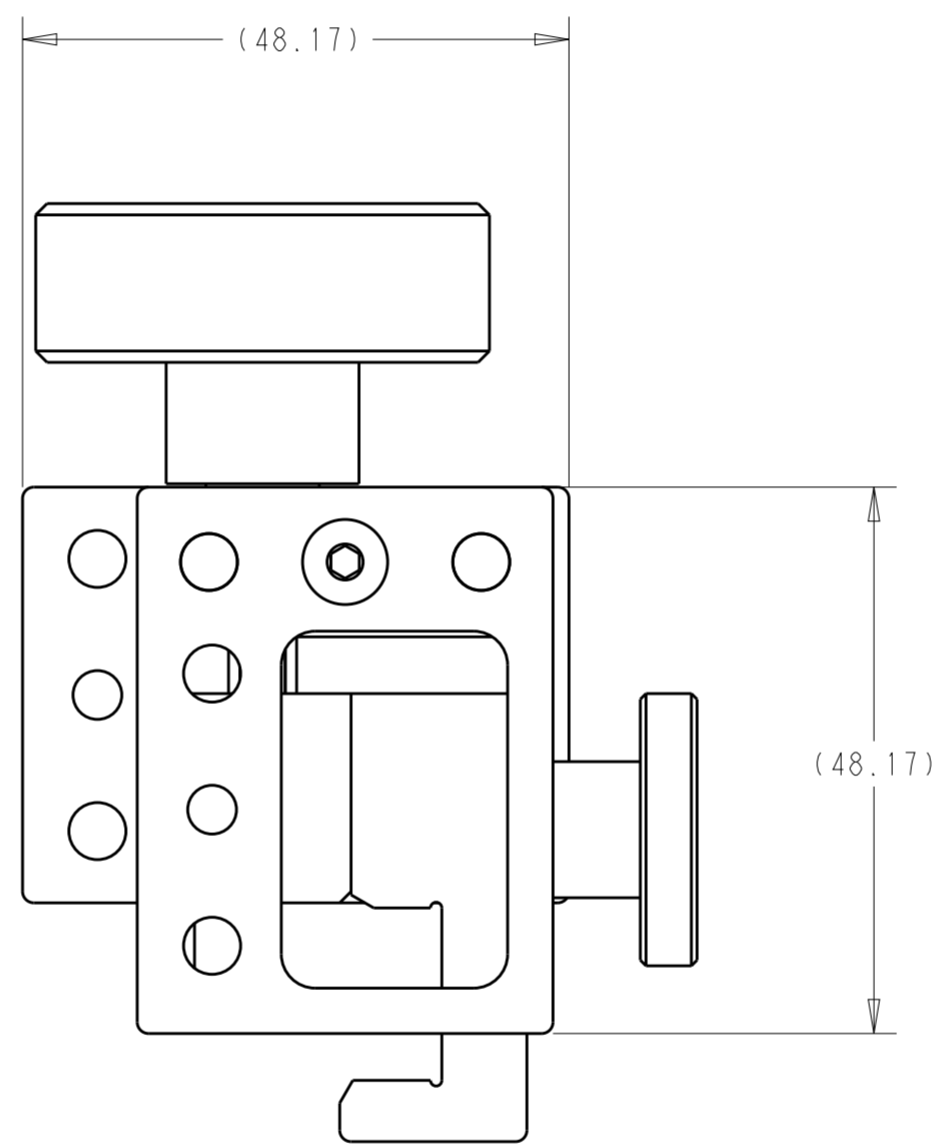
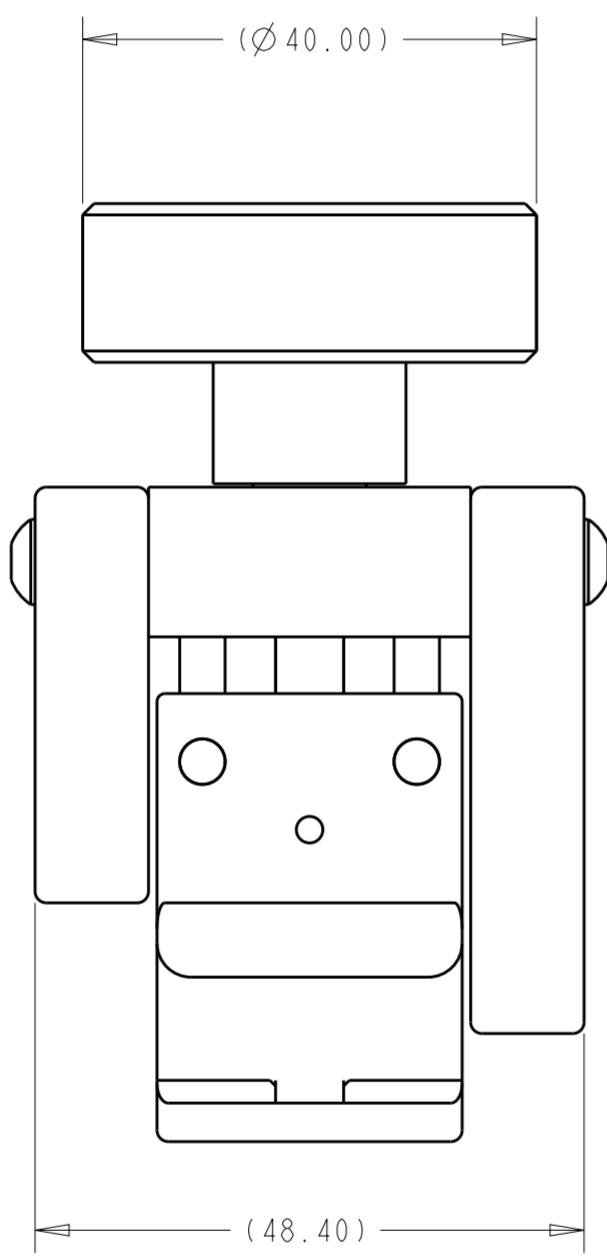


© 2020 TE Connectivity. All Rights Reserved.

PART NUMBER	REV	FIRST USED
2376962-1	A	2180509-4
2376962-2	A	2180520-4
2376962-3	A	2214781-4
2376962-4	A	2180695-4
2376962-5	A	2180499-4
2376962-6	A	2180498-4
2376962-7	A	1645580-2

REVISIONS				
P	LTR	DESCRIPTION	DATE	APVD
	A	INITIAL RELEASE	03AUG2020	DC JM



THIS DRAWING IS A CONTROLLED DOCUMENT.		DWN D. CHEN 03AUG2020	STE TE Connectivity	
DIMENSIONS: mm		CHK C. ZHU 03AUG2020		
TOLERANCES UNLESS OTHERWISE SPECIFIED:		APVD J. MARTINELLI 03AUG2020	NAME ASSY, EXTRACTION TOOL	
0 PLC ±		PRODUCT SPEC	-	
1 PLC ±		APPLICATION SPEC	-	
2 PLC ±		WEIGHT	-	
3 PLC ±		RESTRICTED CUSTOMER	-	
4 PLC ±		SCALE	3:2	
ANGLES ±		SIZE	A2	
FINISH		CAGE CODE	00779	
MATERIAL		DRAWING NO	C-2376962	
-		RESTRICTED TO	-	
-		SHEET	1 OF 1	
-		REV	A	