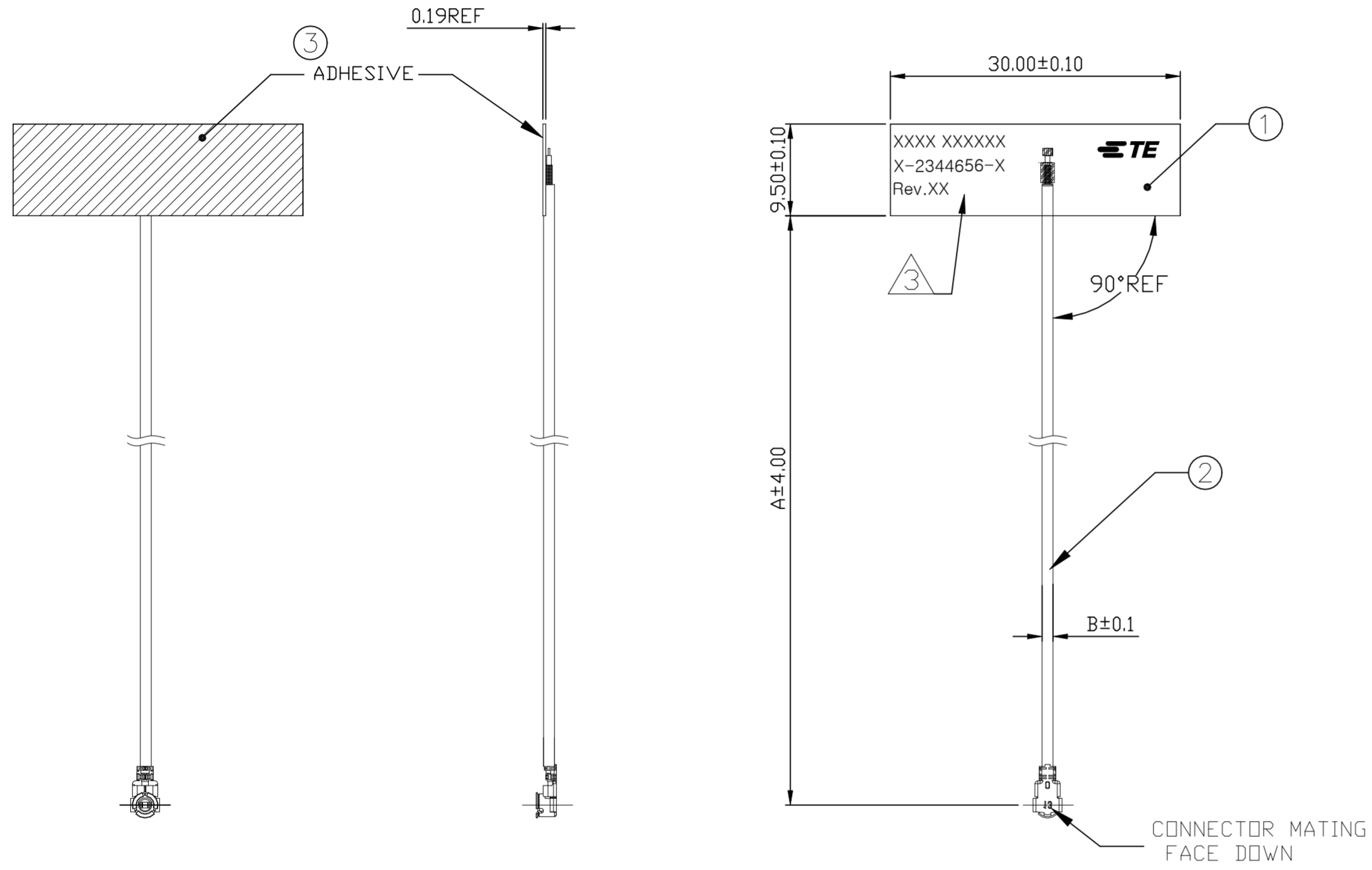


REVISIONS					
P	LTR	DESCRIPTION	DATE	DWN	APVD
	D2	REVISED PER ECN-24-261388	17APR2024	SJ	JH

1. MATERIALS : REFER TO TABLE.
2. A: ALL MATERIALS, COMPONENTS AND PROCESSES SHALL COMPLY WITH TEC-138-702 (CONTAINS NO BANNED OR RESTRICTED SUBSTANCES)
- B: NO REACH SVHC SHALL BE CONTAINED ABOVE THE THRESHOLD AS DEFINED IN REACH SVHC
- C: BFR/CFR/PVC Free, but Br/Cl >900 ppm in other sources.

③ IDENTIFICATION INCLUDES : FOUR DIGIT DATE CODE(FIRST 2 DIGITS FOR THE WEEK CODE AND THE 2ND TWO DIGITS FOR THE YEAR CODE), MANUFACTURING CONTROL NUMBER, TE PART NUMBER & REVISION NO.



CONNECTOR TYPE	B DIMENSION	A DIMENSION	PART NUMBER
UMCC GEN.4 (MHF4 TYPE)	0.81	250	1-2344656-4
		200	2344656-8
		150	2344656-7
		100	2344656-6
		50	2344656-5
UMCC GEN.1 (MHF1 TYPE)	1.13	200	2344656-4
		150	2344656-3
		100	2344656-2
		50	2344656-1

DOUBLE-SIDED TAPE	ADHESIVE	3
COAXIAL CABLE & CONN	CABLE ASSY	2
PI	FPCB ANTENNA	1
MATERIAL	NAME	ITEM NO.

THIS DRAWING IS A CONTROLLED DOCUMENT.

DWN	PAUL HUNAG	22OCT2018
CHK	AKU HUANG	22OCT2018
APVD	AMOS CHEAH	22OCT2018

NAME: WLAN DUAL BAND ANTENNA FPC V

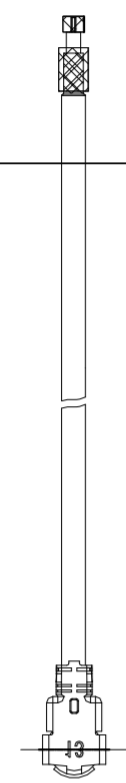
SIZE: A2 CAGE CODE: 00779 DRAWING NO: C-2344656

SCALE: 1:1 SHEET: 1 OF 4 REV: D2

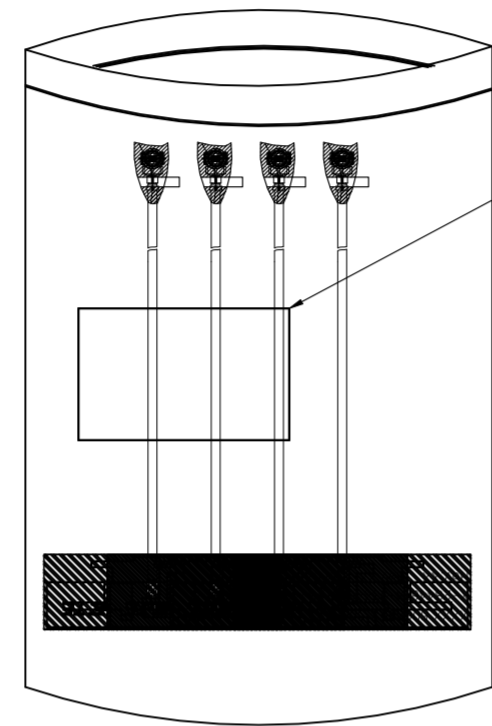
REVISIONS					
P	LTR	DESCRIPTION	DATE	DWN	APVD
-	-	SEE SHEET 1	-	-	-

PACKAGING P/Ns : 2344656-1,-2,-3,-4

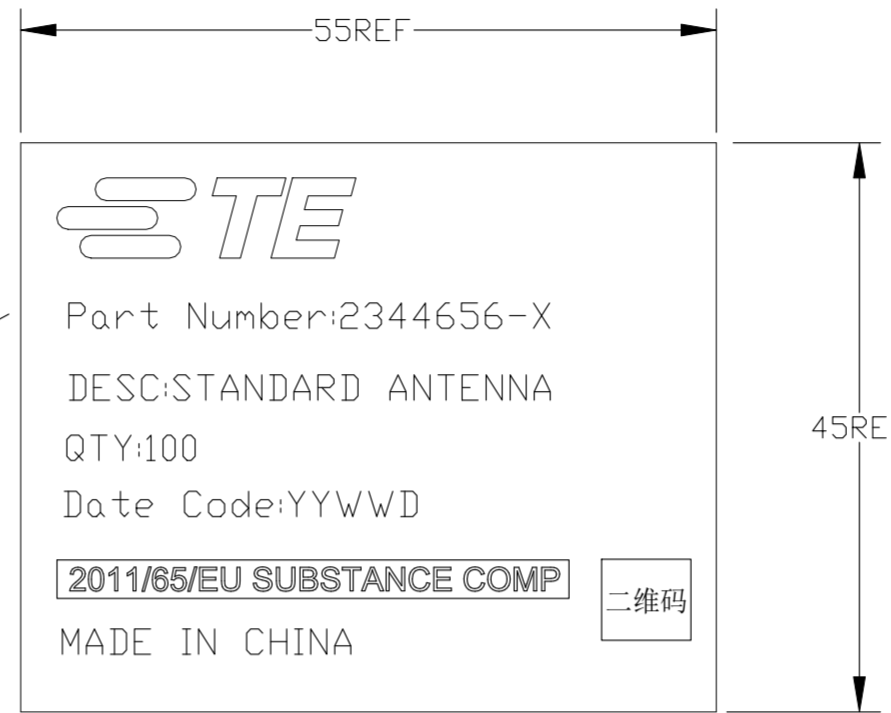
XXXX XXXXXX  
2344656-X  
Rev.XX



25PCS/BUNCH

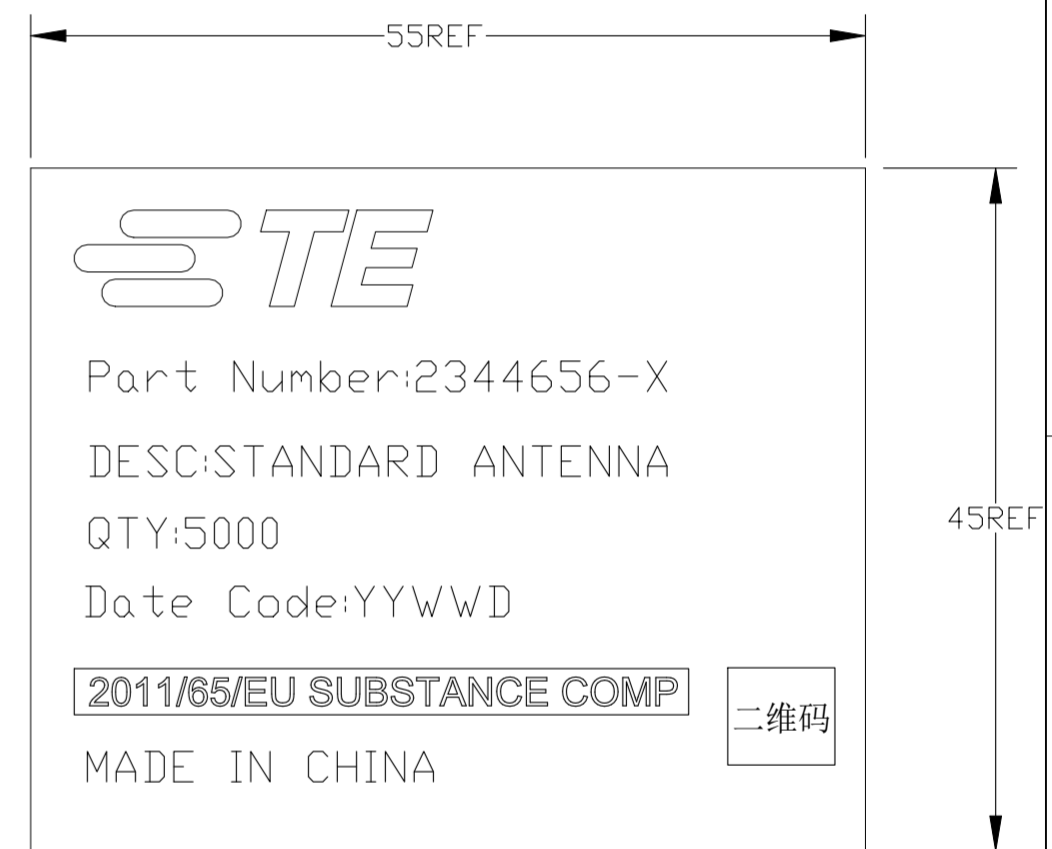


100PCS/BAG  
DESICCANT:1PCS/BAG



PACKING LABEL

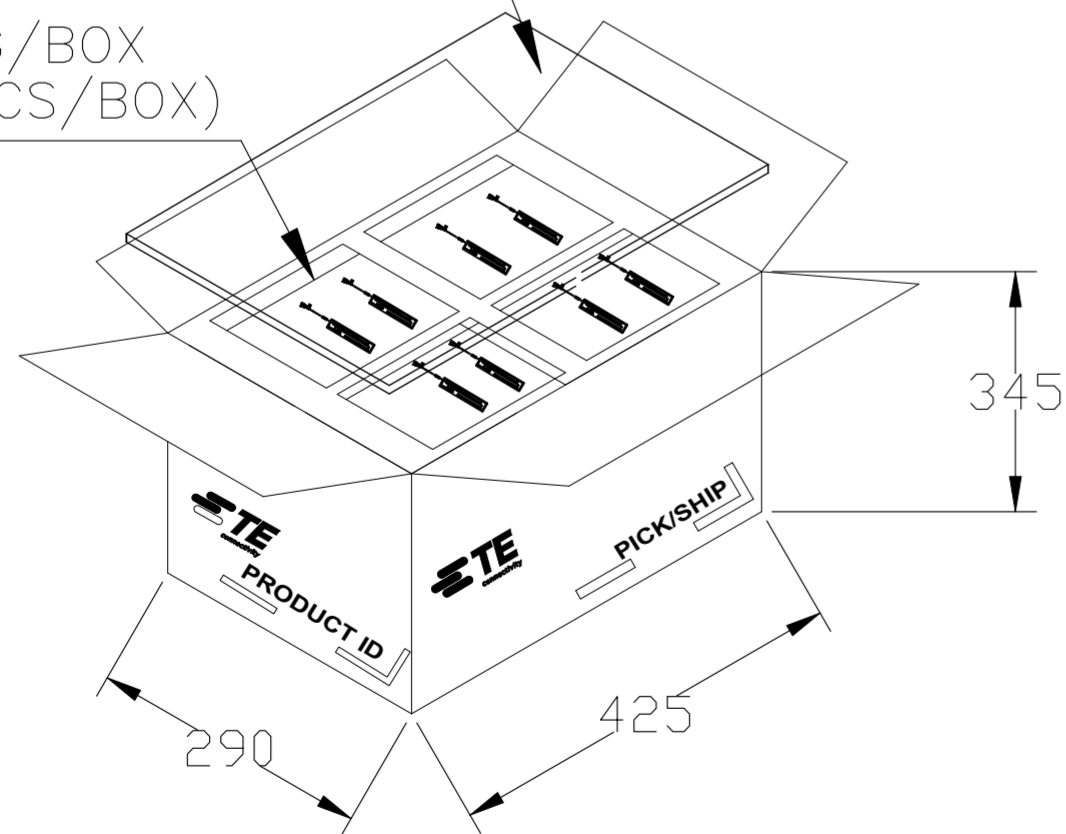
Q' TY	PACKING QUANTITY		
	PCS/BAG	BAG/BOX	PCS/BOX
1	100	50	5000



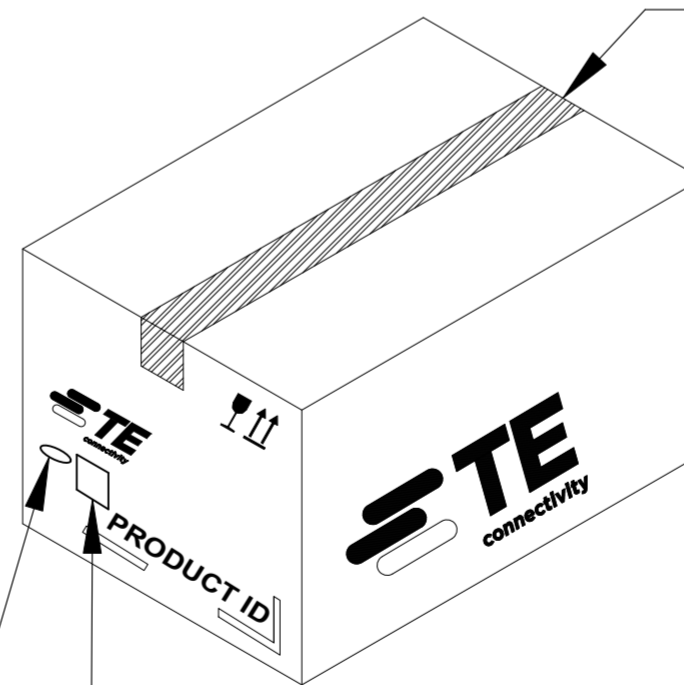
BOX LABEL

CUSHIONING

50BAG/BOX  
(5000PCS/BOX)



SEALING TAPE



MONTH LABEL

BOX LABEL

THIS DRAWING IS A CONTROLLED DOCUMENT.		DWN	TE Connectivity Ltd.		
DIMENSIONS: mm		CHK			
		APVD	NAME WLAN DUAL BAND ANTENNA FPC V		
TOLERANCES UNLESS OTHERWISE SPECIFIED:		PRODUCT SPEC	-		
0 PLC ± -		APPLICATION SPEC	-		
1 PLC ± -		WEIGHT	SIZE	CAGE CODE	DRAWING NO
2 PLC ± -		CUSTOMER DRAWING	A2	00779	C=2344656
3 PLC ± -			SCALE	NTS	SHEET
4 PLC ± -					REV
ANGLES ± -					D2
FINISH					

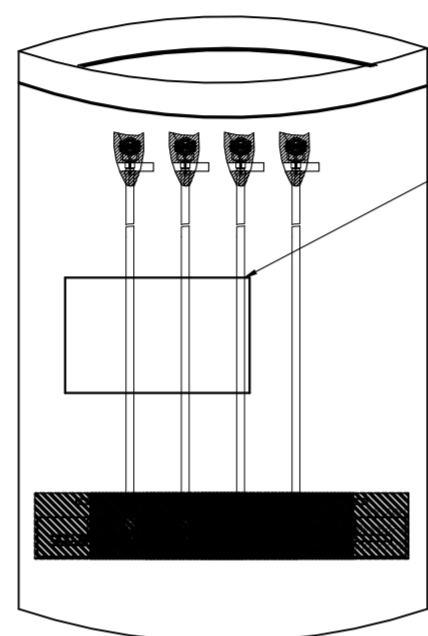
REVISIONS					
P	LTR	DESCRIPTION	DATE	DWN	APVD
-	-	SEE SHEET 1	-	-	-

PACKAGING P/Ns : 2344656-5,-6,-7,-8

XXXX XXXXXX  
2344656-X  
Rev.XX



25PCS/BUNCH



100PCS/BAG  
DESICCANT:1PCS/BAG

55REF

45REF

**STE**

Part Number:2344656-X  
DESC:STANDARD ANTENNA  
QTY:100  
Date Code:YYWWD

2011/65/EU SUBSTANCE COMP 二维码

MADE IN CHINA

PACKING LABEL

PACKING QUANTITY			
Q'TY	PCS/BAG	BAG/BOX	PCS/BOX
1	100	30	3000

55REF

45REF

**STE**

Part Number:2344656-X  
DESC:STANDARD ANTENNA  
QTY:3000  
Date Code:YYWWD

2011/65/EU SUBSTANCE COMP 二维码

MADE IN CHINA

BOX LABEL

CUSHIONING

30BAG/BOX  
(3000PCS/BOX)

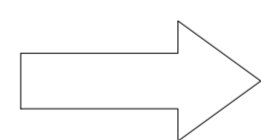
230

240

340

**STE** PRODUCT ID

**STE** PICK/SHIP



SEALING TAPE

**STE** PRODUCT ID

**STE** connectivity

MONTH LABEL

BOX LABEL

THIS DRAWING IS A CONTROLLED DOCUMENT.		DWN PAUL HUNAG 22OCT2018	<b>STE</b> TE Connectivity Ltd.	
DIMENSIONS: mm		CHK AKU HUANG 22OCT2018		
TOLERANCES UNLESS OTHERWISE SPECIFIED:		APVD AMOS CHEAH 22OCT2018	NAME WLAN DUAL BAND ANTENNA FPC V	
0 PLC ± - 1 PLC ± - 2 PLC ± - 3 PLC ± - 4 PLC ± - ANGLES ± -		PRODUCT SPEC -	-	
MATERIAL -		FINISH -	APPLICATION SPEC -	RESTRICTED TO -
		WEIGHT -	SIZE A2	CAGE CODE 00779
		CUSTOMER DRAWING	DRAWING NO C=2344656	SCALE 1:1
			SHEET 3 OF 4	REV D2

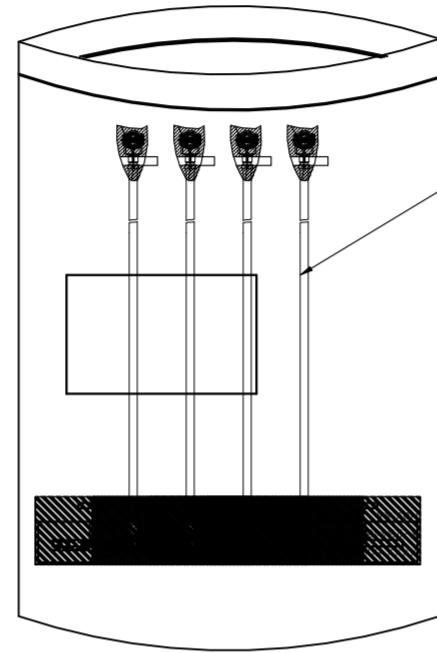
REVISIONS					
P	LTR	DESCRIPTION	DATE	DWN	APVD
-	-	SEE SHEET 1	-	-	-

PACKAGING P/Ns : 1-2344656-4

XXXX XXXXX  
X-2344656-X  
Rev.XX



25PCS/BUNCH

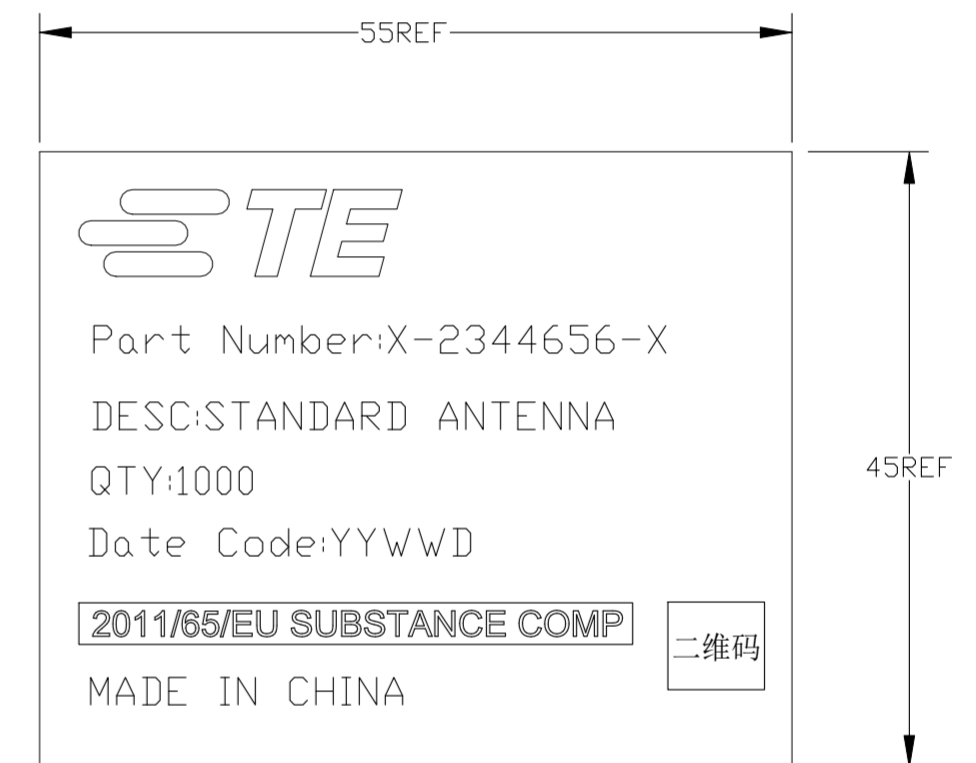


100PCS/BAG  
DESICCANT:1PCS/BAG

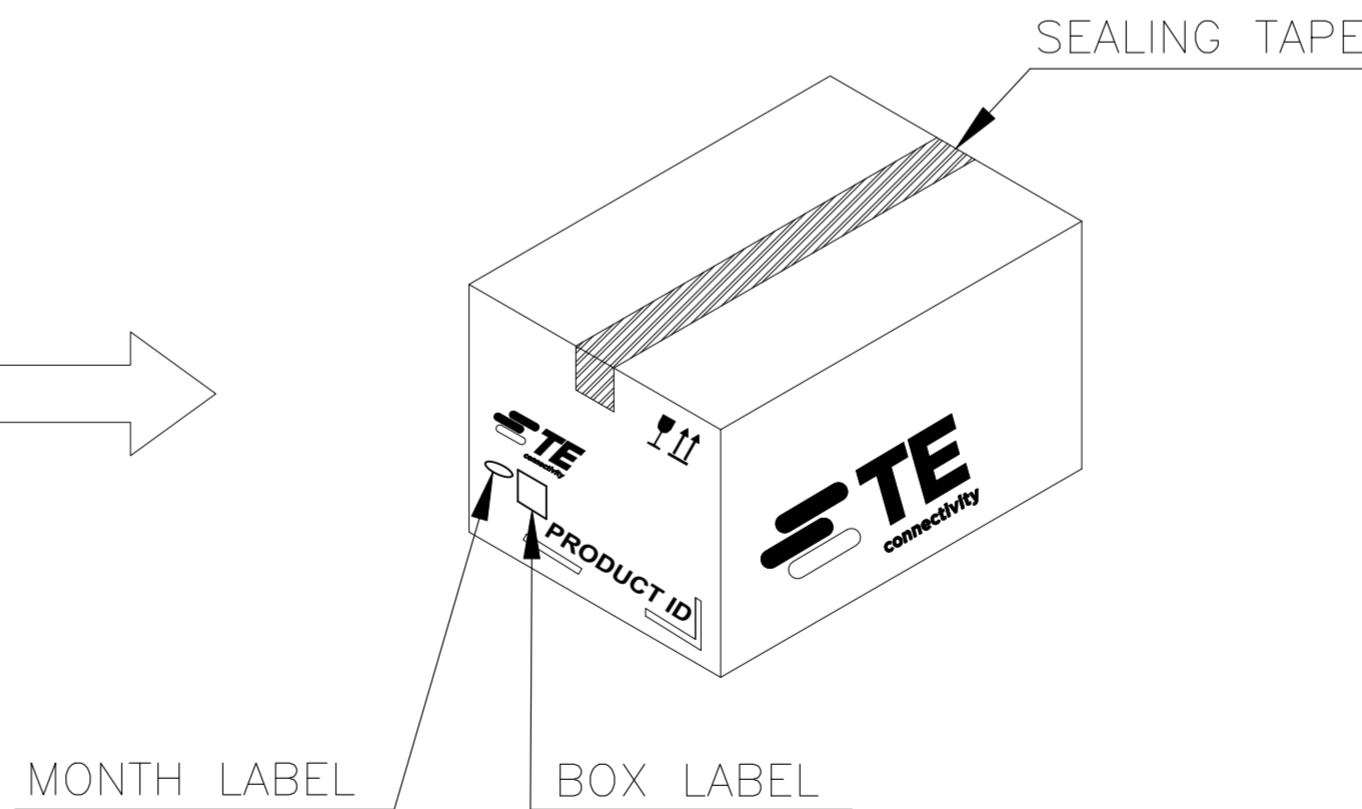
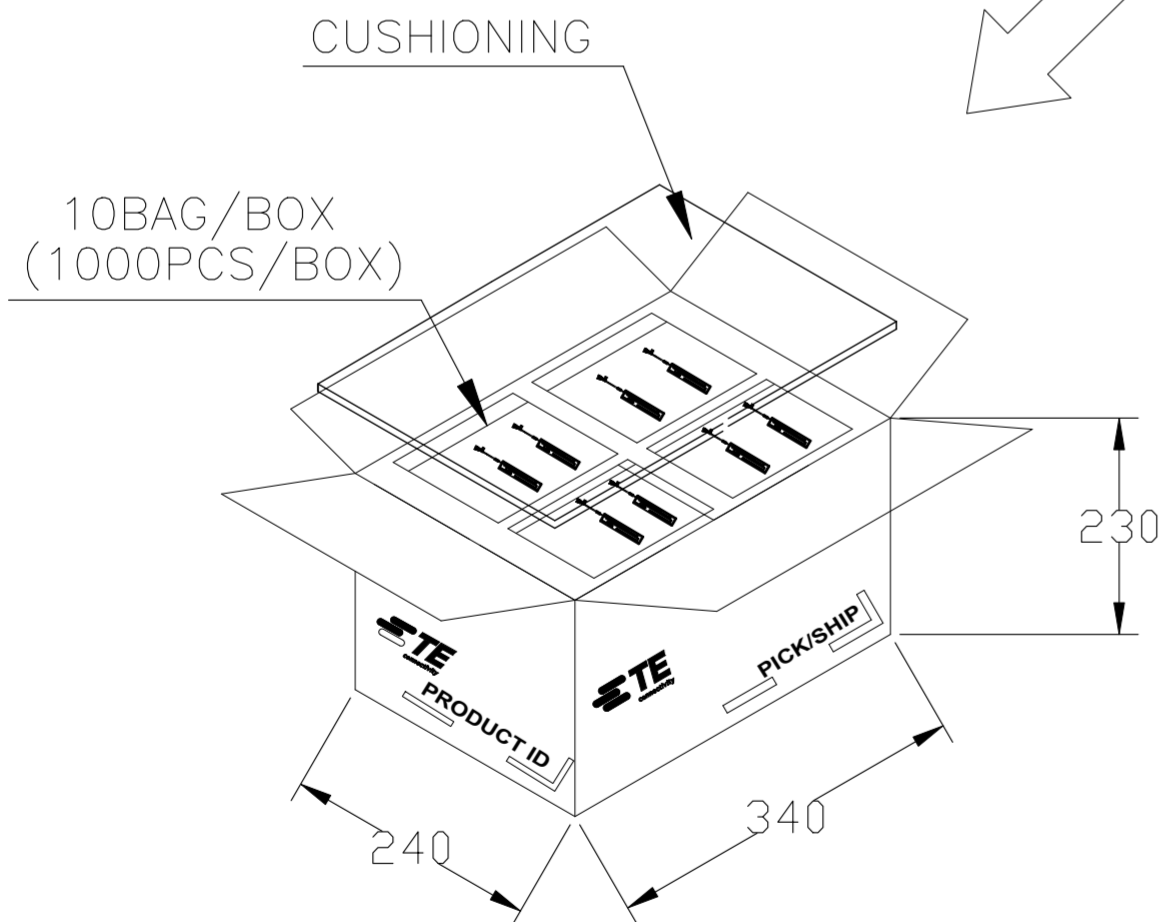


PACKING LABEL

Q' TY	PACKING QUANTITY		
	PCS/BAG	BAG/BOX	PCS/BOX
1	100	10	1000



BOX LABEL



THIS DRAWING IS A CONTROLLED DOCUMENT.		DWN	TE Connectivity Ltd.		
DIMENSIONS: mm		CHK			
		APVD	NAME WLAN DUAL BAND ANTENNA FPC V		
TOLERANCES UNLESS OTHERWISE SPECIFIED:		PRODUCT SPEC	-		
0 PLC ± -		APPLICATION SPEC	-		
1 PLC ± -		WEIGHT	SIZE	CAGE CODE	DRAWING NO
2 PLC ± -		MATERIAL	A2	00779	C=2344656
3 PLC ± -			FINISH	RESTRICTED TO	
4 PLC ± -			-		
ANGLES ± -		CUSTOMER DRAWING	SCALE	SHEET	REV
			NTS	4 OF 4	D2