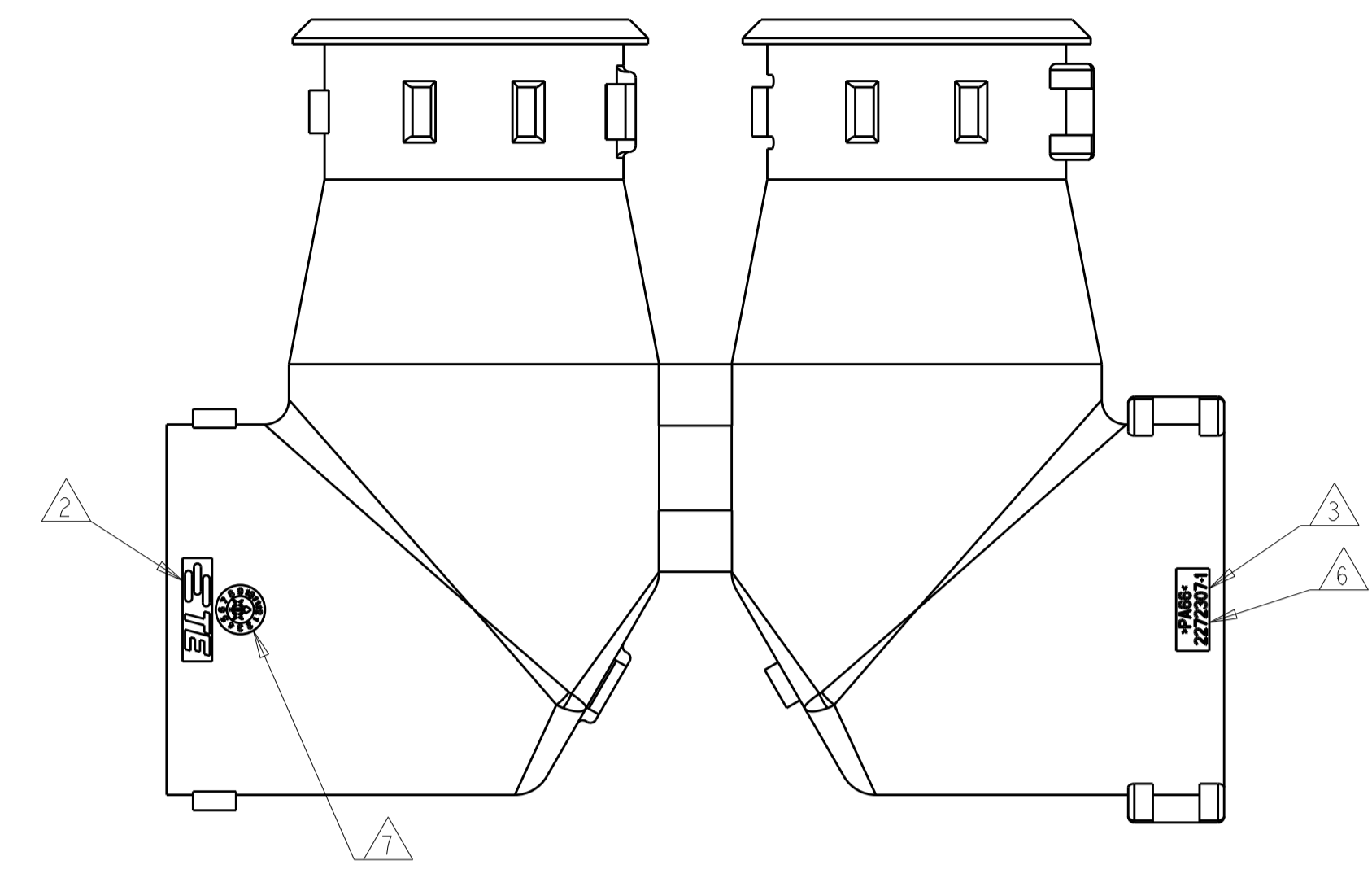
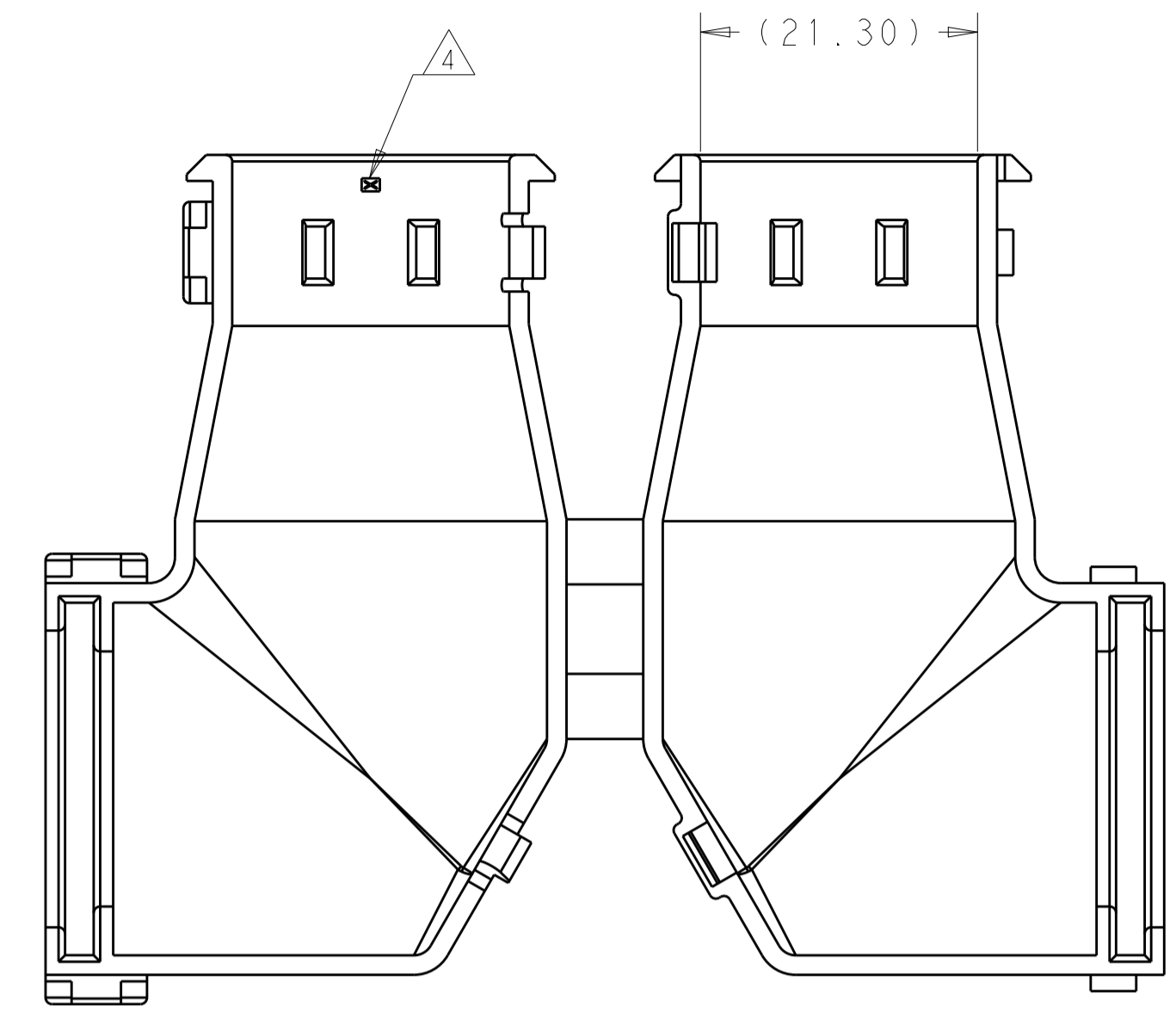
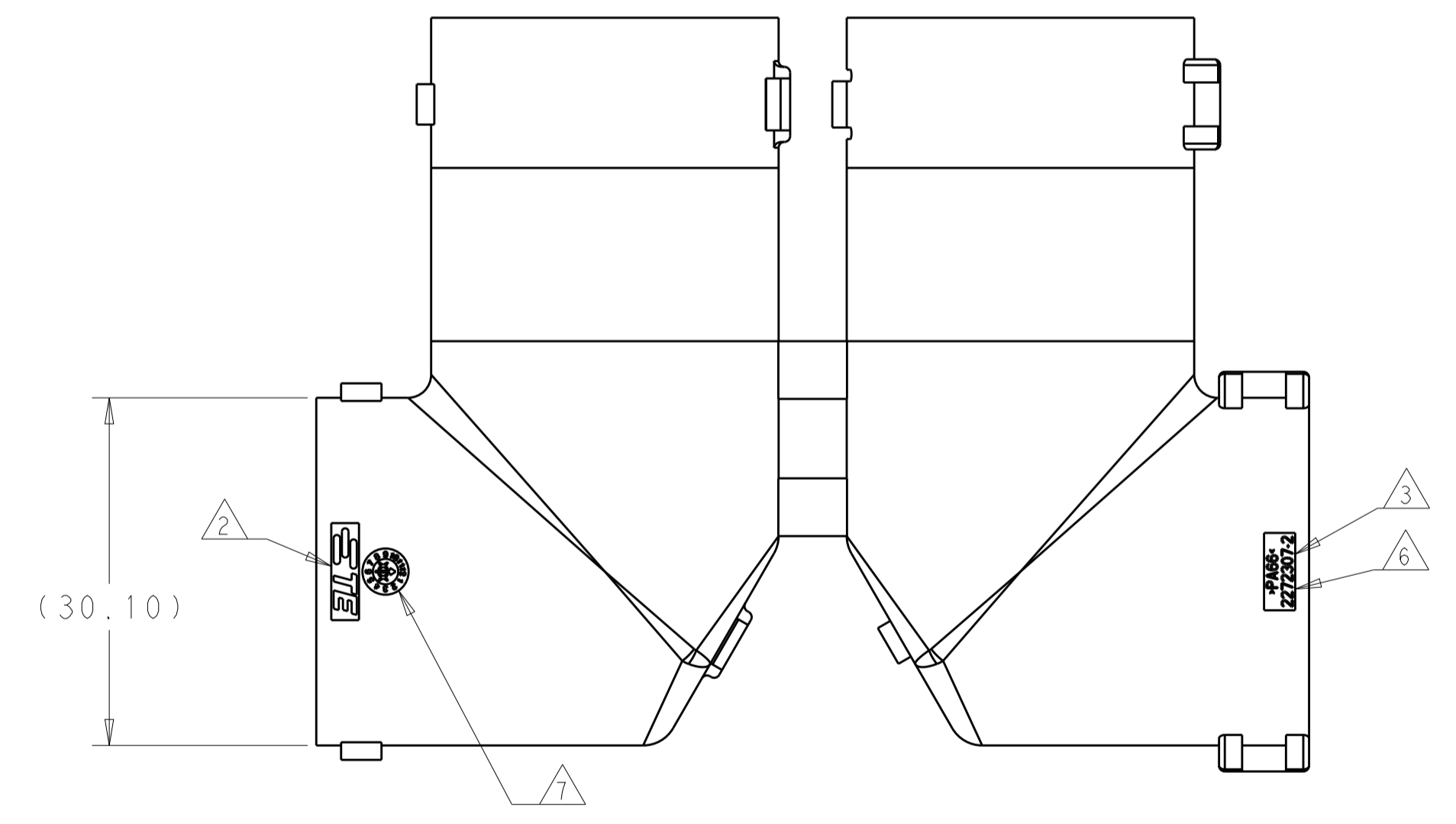
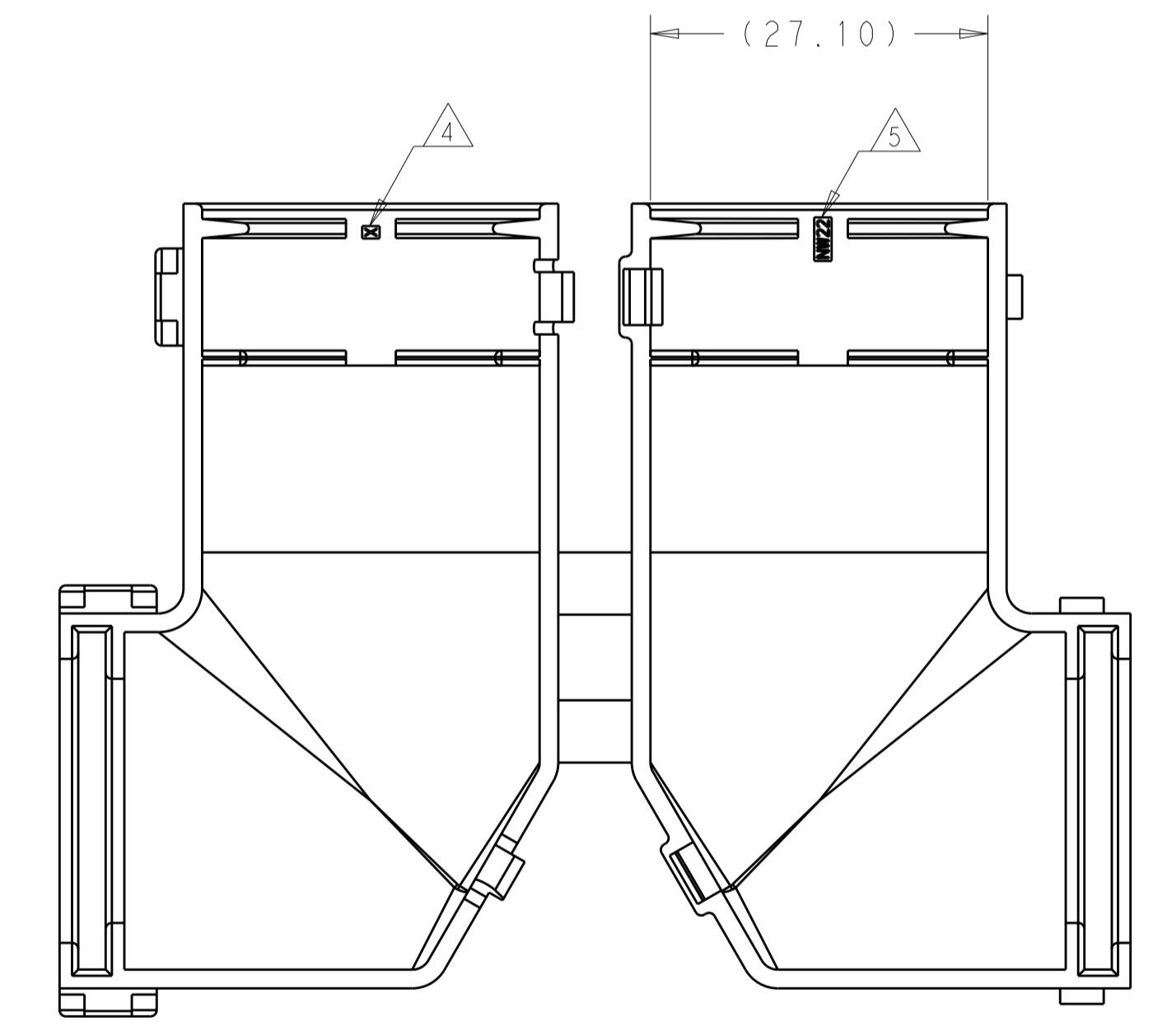


REVISIONS				
P.	LTN	DESCRIPTION	DATE	APVD
A1		ECO-20-009712	10JUL2020	DS DS

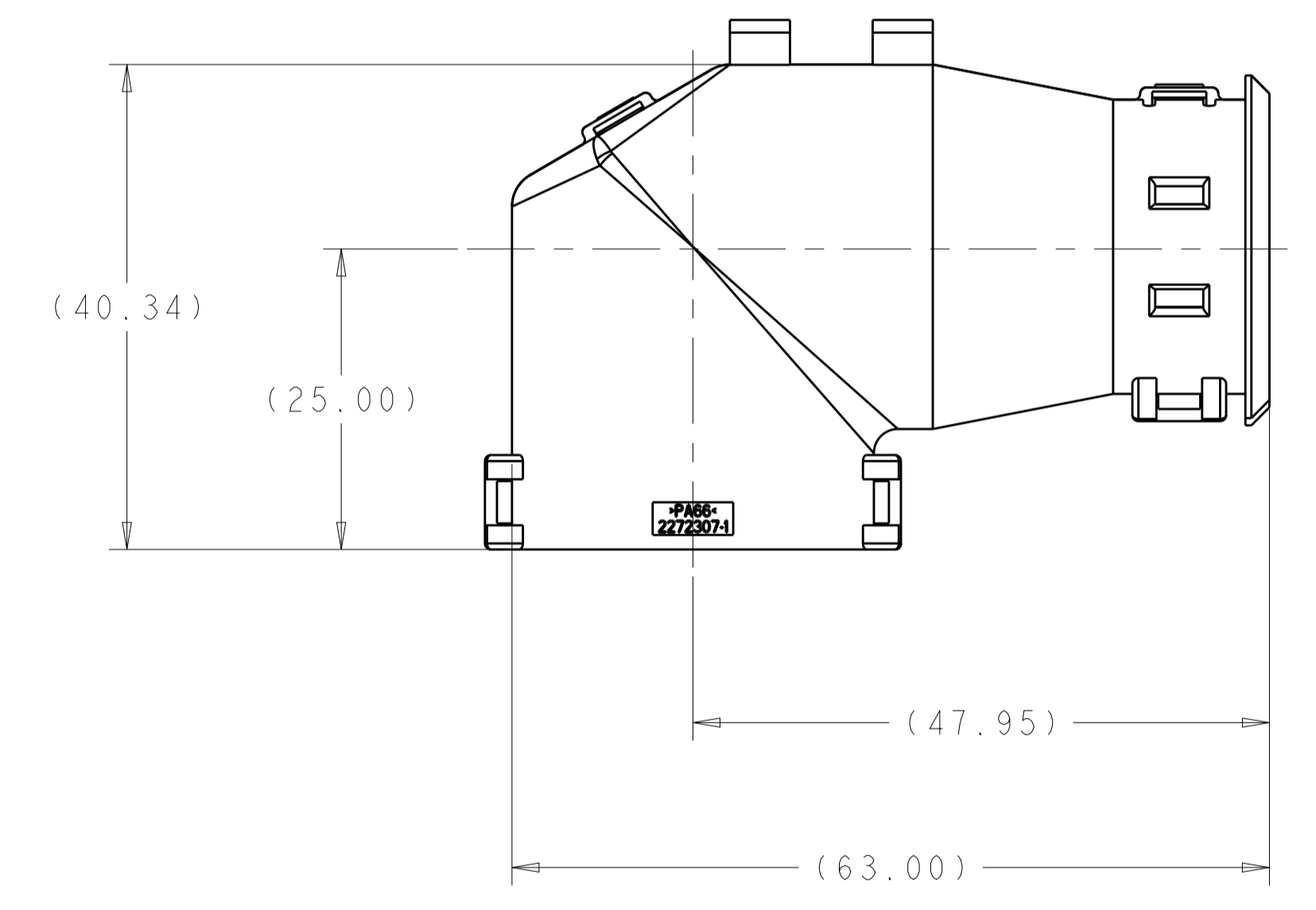


2272307-1 SHOWN

- ① MATERIAL: UNFILLED PBT, BLACK
- ② COMPANY LOGO
- ③ MATERIAL ID >PBT<
- ④ MOLD CAVITY ID
- ⑤ NW CHARACTERS, CONDUIT SIZE
- ⑥ TE PART NUMBER
- ⑦ DATE CODE WHEEL, MONTH AND YEAR



2272307-2 SHOWN




NW22	2272307-2
SMOOTH	2272307-1
CORREGATE	PART NUMBER

THIS DRAWING IS A CONTROLLED DOCUMENT.		DWN D STRAUSSER 9JAN2015	NAME	
DIMENSIONS:		CHK M MAYER 15MAR2017	AMPSEAL ML CONNECTOR WIRE SHIELD ELBOW	
TOLERANCES UNLESS OTHERWISE SPECIFIED:		APVD D STRAUSSER 13MAR2018	RESTRICTED TO	
mm	0 PLC ±0.5	PRODUCT SPEC	SIZE CAGE CODE DRAWING NO	
	1 PLC ±0.3	108-151063	A1 - C=2272307	
	2 PLC ±0.15	APPLICATION SPEC	SCALE 2:1 SHEET 1 OF 2 REV A1	
	3 PLC ±	114-151063	CUSTOMER DRAWING	
	4 PLC ±	WEIGHT 11.74g		
	ANGLES ±°			
MATERIAL	FINISH			
①				

THIS DRAWING IS UNPUBLISHED. RELEASED FOR PUBLICATION 20
COPYRIGHT 20 BY - ALL RIGHTS RESERVED.

REVISIONS				
P.	LTN	DESCRIPTION	DATE	APVD
-		SEE SHEET 1	-	-

C-2272307				STOCK DISPOSITION			
				A: CONTINUE AS IS		D: USE OLD FIRST	
				B: REWORK		E: PARTS TO CONFORM	
				C: SCRAP		F: OTHER	
REVISION HISTORY							
DATE	REV	CHANGES	REASON	APPROVAL	INVENTORY (A,B,C,D,E,F)	WORK IN PROCESS (A,B,C,F)	SUPPLIER ORDERS (A,E,F)
12JAN2015	1	INITIAL RELEASE	-	D. STRAUSSER	-	-	-
					-	-	-
					-	-	-

THIS DRAWING IS A CONTROLLED DOCUMENT.		DWN	D. STRAUSSER	5FEB2014	 TE Connectivity
DIMENSIONS:		CHK	-	-	
TOLERANCES UNLESS OTHERWISE SPECIFIED:		APVD	-	-	NAME
mm	0 PLC ±0.5	PRODUCT SPEC		AMPSEAL ML CONNECTOR	
	1 PLC ±0.3	APPLICATION SPEC		WIRE SHIELD ELBOW	
	2 PLC ±0.15	SIZE	A1	CAGE CODE	-
	3 PLC ±	DRAWING NO	C=2272307		RESTRICTED TO
	4 PLC ±	WEIGHT	CUSTOMER DRAWING		-
	ANGLES ±°	SCALE	5:1	SHEET	2 OF 2
MATERIAL	TBD	FINISH	-	REV	A1