

4 3 2 1

THIS DRAWING IS UNPUBLISHED. RELEASED FOR PUBLICATION REVISIONS

© COPYRIGHT - TE Connectivity Ltd. ALL RIGHTS RESERVED.

P	LTR	DESCRIPTION	DATE	DWN	APVD
	A	INITIAL RELEASE	25JUL2019	RV	DH

2112
(TYPE1, DPDT)
A * * *

AC VOLT.

ENCL. CODE	ENCLOSURE	PART NO.
H1	HERM. SEALED, PIN CONN.	32768-01
H2	HERM. SEALED, OCTAL CONN.	32769-01
H3	HERM. SEALED, MS CONN.	32770-01
4&4M	OCTAL CONN, ADJ.	32771-01
5&5M	OCTAL CONN, FIXED	32772-01
9&9M	PIN CONN, FIXED	32773-01
14	PIN CONN, ADJ.	32877-01
H21	HERM. SEALED, ADJ.	32774-01
H39	HERM. SEALED, TB CONN.	32775-01
H103	HERM. SEALED, PIN CONN.	32776-01
H116	HERM. SEALED, HEADER CONN.	32777-01
H49	HERM. SEALED, SPL. BRACKET	32852-01
H32	HERM. SEALED, FIXED	32860-01

VOLT. CODE	VOLTAGE	FREQ. HZ.	COIL ASSY. PART NO.
B	12V	60	32227-01
D	24V	60	32227-02
E	48V	60	32227-03
G	60V	60	32227-04
J	208V	60	32227-05
L	440V	60	32227-06
S(1)	120V	60	32227-07
T	240V	60	32227-13
U	115V	25-400	32227-14
V	480V	60	32227-15

TIME CODE	RANGE	TIME COMP. ASS'Y P/N	TIME HEAD ASS'Y P/N
A	.03-.1 SEC.	32622-01	32606-04
B	.1-.3 SEC.	32622-02	
C	.15-1 SEC.	32622-03	
D	.375-3.0 SEC.	32622-04	
E	.75-10.0 SEC.	32622-05	
F	1.0-30 SEC.	32622-06	
G	2.0-60 SEC.	32622-07	
H	5-120 SEC.	32622-08	
J	5-180 SEC.	32622-09	
K	1.5-30 CYC.	32622-10	
L	3.0-120.0 CYC.	32622-11	

TERM. BLOCK ASS'Y P/N
32623-01

HDWR. ASS'Y P/N
32661-01

W/H116 ENCL.	32661-02
W/H21 ENCL.	32661-03
W/U COIL	32661-01
W/U COIL&H116	32661-02
W/U COIL&H21	32661-03
W/5&9 ENCL.	32661-04

PACKING ASS'Y P/N
32811-01

Ordering Information for Industrial Models

Typical Part No. > 21 1 2 D 4 N B

1. Basic Series:
21 = 2100 Miniature electropneumatic timing relay

2. Operation:
1 = On-delay 2 = Off-delay

3. Contact Arrangement:
2 = DPDT (2 form C)

4. Operating Voltage:
A = AC D = DC

5. Physical Characteristics:

Code	Enclosure	Adjustment	Connector	Mounting
4 =	Unsealed	External Knob	Octal Plug	Chassis Mount
5 =	Unsealed	Internal Key	Octal Plug	Chassis Mount
9 =	Unsealed	Internal Key	Solder Hook	Panel Mount Plate

6. Coil Voltage:
M = 12VDC N = 28VDC P = 48VDC R = 110VDC Y = 125VDC
S = 120VAC, 50/60 Hz. T = 240VAC, 60 Hz.

7. Timing Range:
A = .03 to .1 sec. C = .15 to 1.0 sec. E = .75 to 10.0 sec. H = 5.0 to 120.0 sec. K = 1.5 to 30.0 cycles
B = .1 to .3 sec. D = .375 to 3.0 sec. F = 1.0 to 30.0 sec. J = 5.0 to 180.0 sec. L = 3.0 to 120.0 cycles
G = 2.0 to 60.0 sec.

Ordering Information for Hermetically Sealed & Unsealed Models

Typical Part No. > 21 1 2 D H1 N B

1. Basic Series:
21 = 2100 Miniature electropneumatic timing relay

2. Operation:
1 = On-delay 2 = Off-delay

3. Contact Arrangement:
2 = DPDT (2 form C)

4. Operating Voltage:
A = AC D = DC

5. Physical Characteristics:

Code	Enclosure	Adjustment	Connector	Mounting
H1 =	Hermetically Sealed	External Screw	Solder Hook	Panel Mount Plate
H2 =	Hermetically Sealed	External Screw	Octal Plug	Chassis Mount
H3 =	Hermetically Sealed	External Screw	"AN" Connector	Panel Mount Plate
4 =	Unsealed	External Knob	Octal Plug	Chassis Mount
5 =	Unsealed	Internal Key	Octal Plug	Chassis Mount
9 =	Unsealed	Internal Key	Solder Hook	Panel Mount Plate

6. Coil Voltage:
M = 12VDC N = 28VDC P = 48VDC R = 110VDC Y = 125VDC
S = 120VAC, 50/60 Hz. T = 240VAC, 60 Hz. U = 115VAC, 400 Hz.

7. Timing Range:
A = .03 to .1 sec. C = .15 to 1.0 sec. E = .75 to 10.0 sec. H = 5.0 to 120.0 sec. K = 1.5 to 30.0 cycles
B = .1 to .3 sec. D = .375 to 3.0 sec. F = 1.0 to 30.0 sec. J = 5.0 to 180.0 sec. L = 3.0 to 120.0 cycles
G = 2.0 to 60.0 sec.

Our authorized distributors are more likely to maintain the following items in stock for immediate delivery.

None at present.

-4 -5 -9

Our authorized distributors are more likely to maintain the following items in stock for immediate delivery.

None at present.

THIS DRAWING IS A CONTROLLED DOCUMENT.		DWN RV 25JUL2019	TE Connectivity	
		CHK RV 25JUL2019		
DIMENSIONS: INCHES 		APVD DH 25JUL2019	NAME	
TOLERANCES UNLESS OTHERWISE SPECIFIED: 0 PLC ± - 1 PLC ± - 2 PLC ± - 3 PLC ± - 4 PLC ± - ANGLES ± -		PRODUCT SPEC		2100 SERIES TIMING RELAY
MATERIAL		APPLICATION SPEC		
		WEIGHT	SIZE A3	CAGE CODE xxxxx
		DRAWING NO. C=2100-SERIES		RESTRICTED TO
CUSTOMER DRAWING		SCALE NTS	SHEET 1 of 2	REV A

1470-19 (1/15)

THIS DRAWING IS UNPUBLISHED.

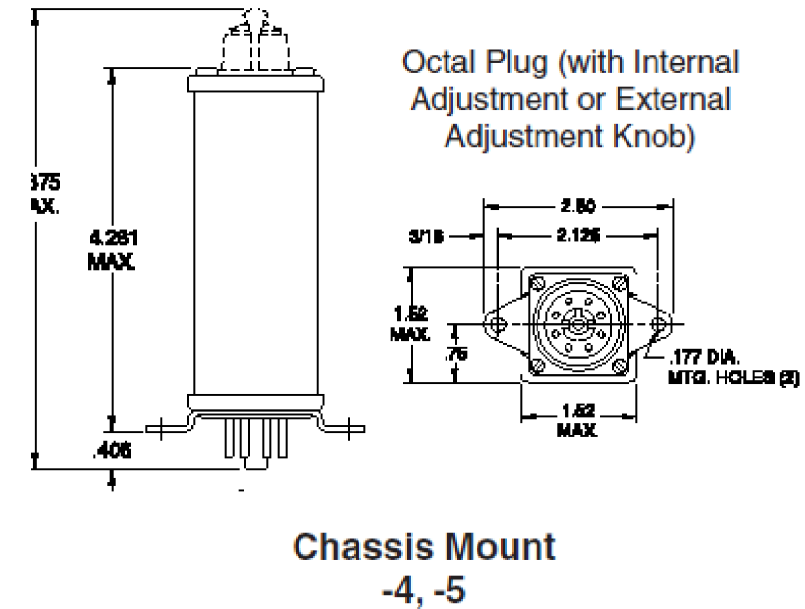
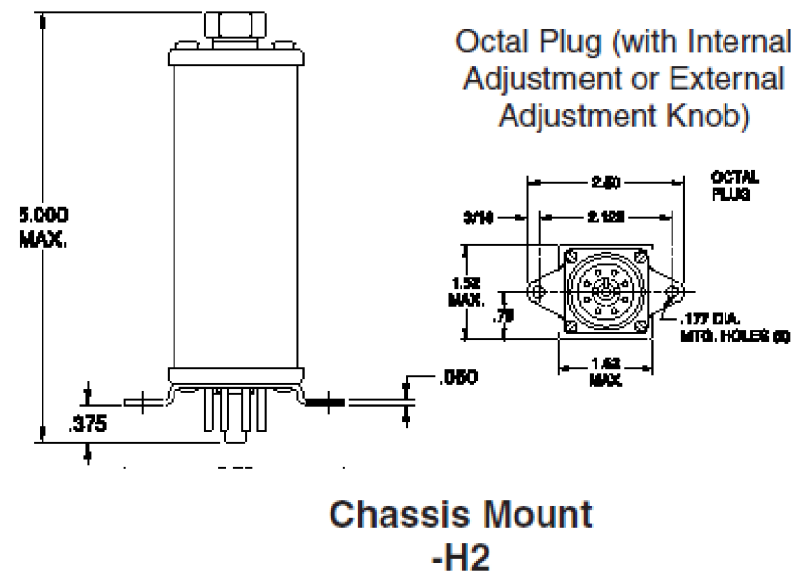
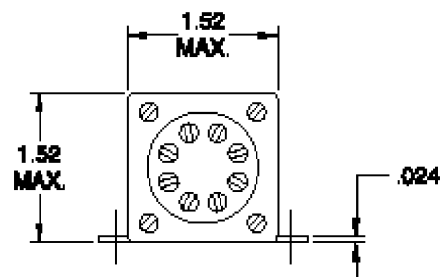
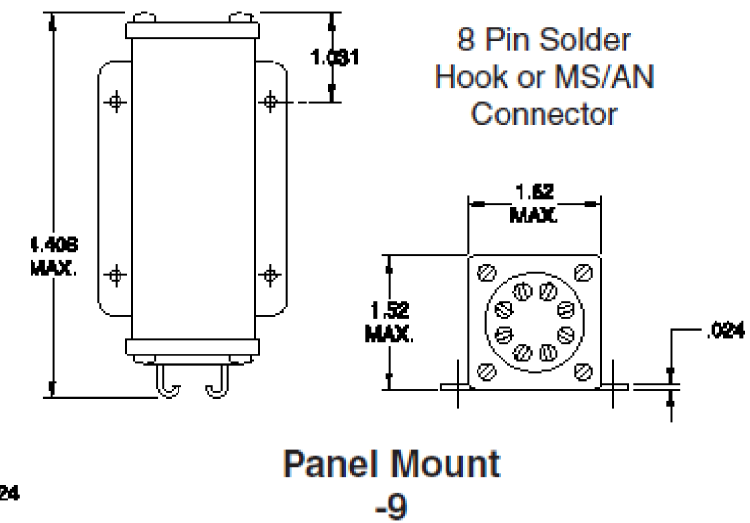
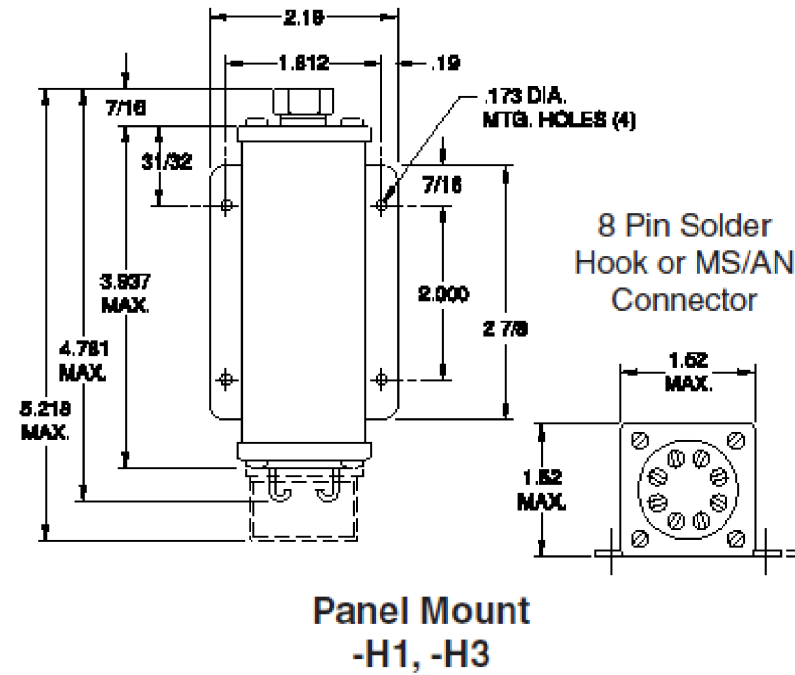
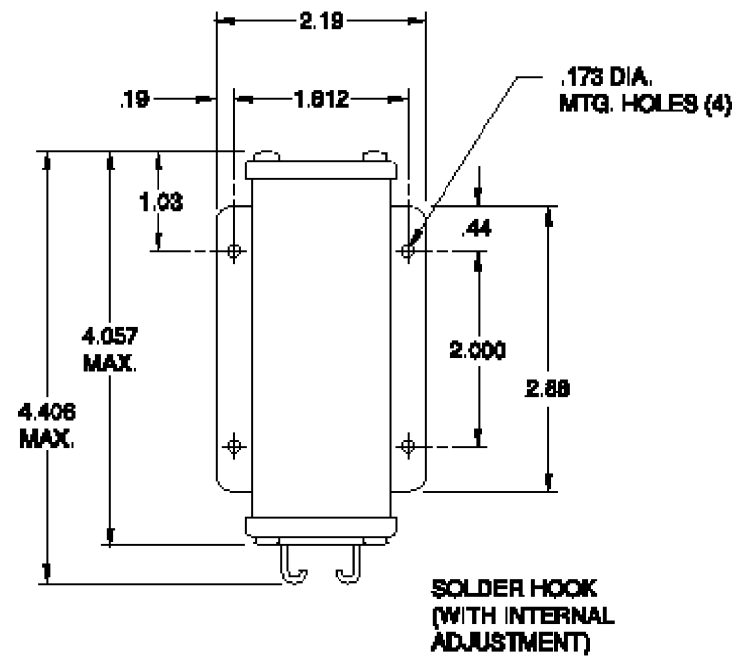
RELEASED FOR PUBLICATION

ALL RIGHTS RESERVED.

© COPYRIGHT - TE Connectivity Ltd.

REVISIONS

P	LTR	DESCRIPTION	DATE	DWN	APVD
-	-	SEE SHEET 1	-	-	-



THIS DRAWING IS A CONTROLLED DOCUMENT.

DWN RV 25JUL2019

CHK RV 25JUL2019

APVD DH 25JUL2019

PRODUCT SPEC

APPLICATION SPEC

WEIGHT -

CUSTOMER DRAWING

TE TE Connectivity

NAME 2100 SERIES TIMING RELAY

SIZE A3

CAGE CODE -

DRAWING NO. C=2100-SERIES

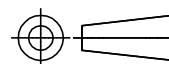
RESTRICTED TO -

SCALE NTS

SHEET 2 of 2

REV A

DIMENSIONS: INCHES



TOLERANCES UNLESS OTHERWISE SPECIFIED:

- 0 PLC ± -
- 1 PLC ± -
- 2 PLC ± -
- 3 PLC ± -
- 4 PLC ± -
- ANGLES ± -
- FINISH -

MATERIAL -