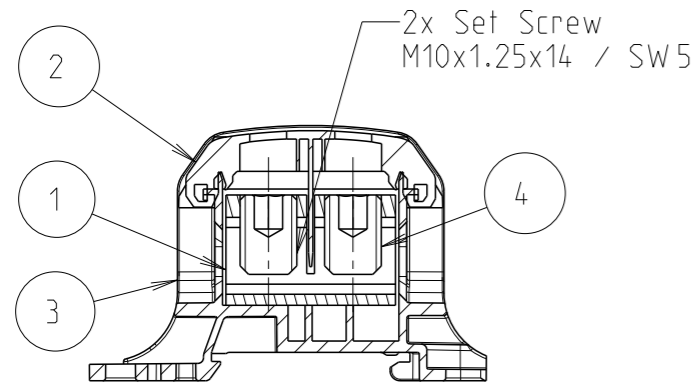
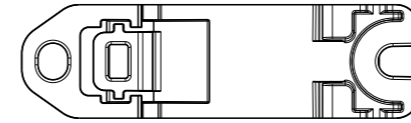
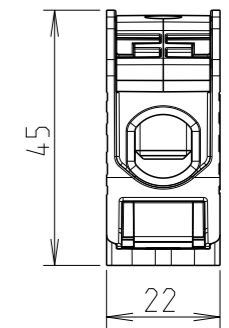
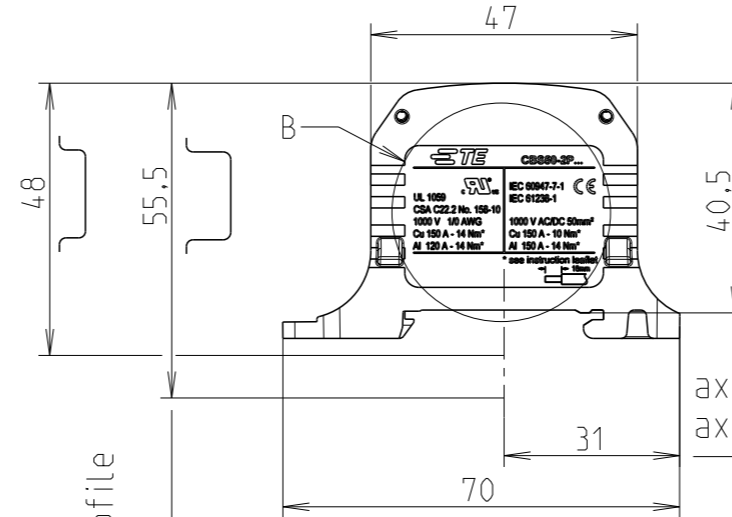


P	LTR	DESCRIPTION	DATE	DWN	APVD
	A	INITIAL REVISION	21JAN2022	PS	SB

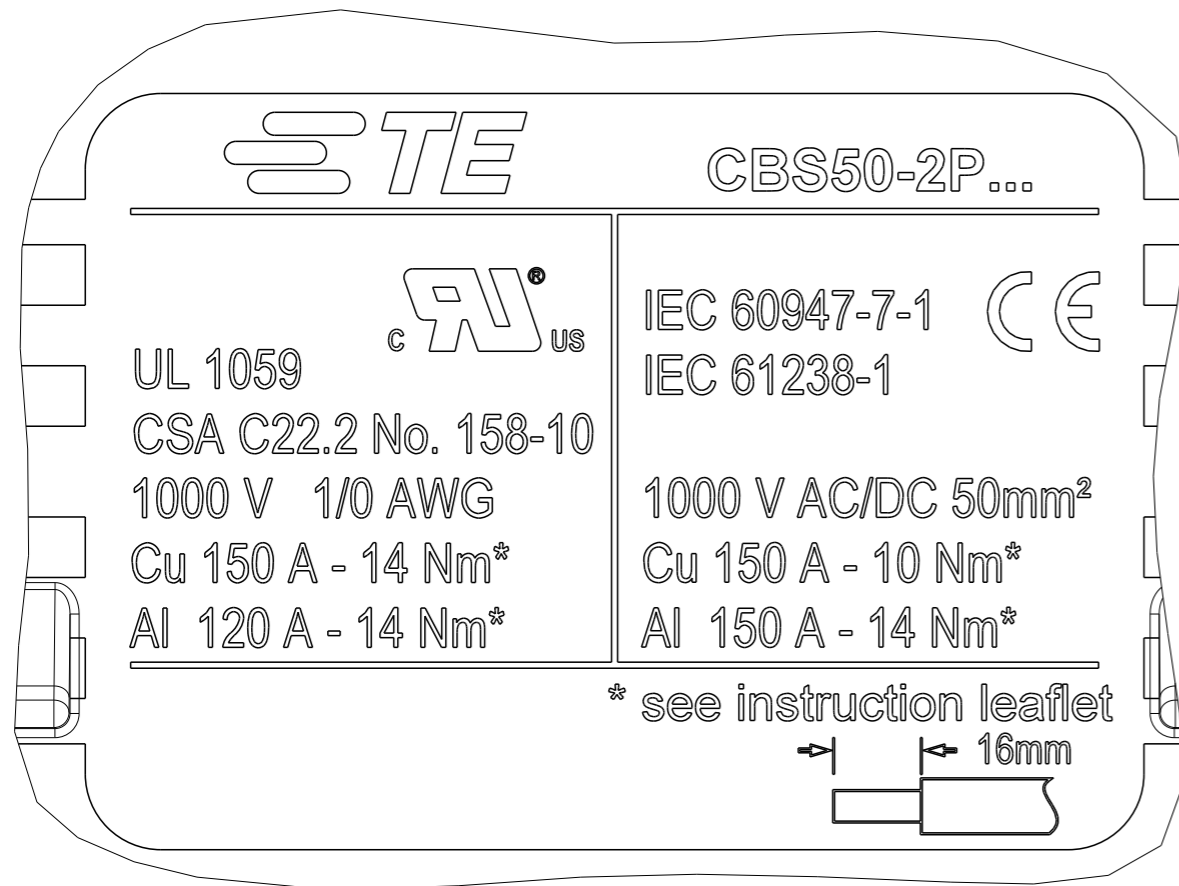
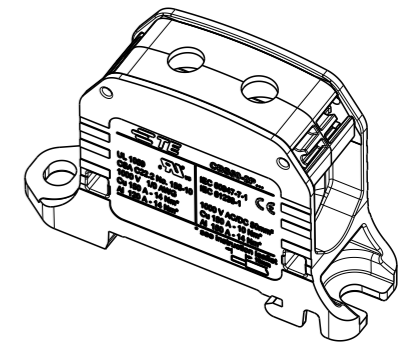
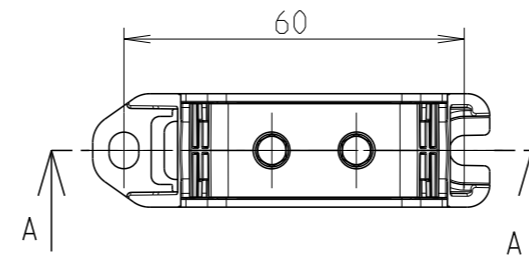


SECTION A-A



axe du profile
axis of profile

hauteur hors tout sur profile
overall height on profile



B(4:1)

1SNF516031R0000
PART NO.

RPT	QTY	DOC TITLE	DESCRIPTION	ITEM NUMBER	COMMENTS
4	2	SET_SCREW_M10X14	SET_SCREW_M10X14	-	
3	1	HOUSING_CBS50_2P	HOUSING_CBS50_2P	-	
2	1	COVER_CBS50_2P_GREEN	COVER_CBS50_2P_GREEN	-	
1	1	ALUMINUM_BLOCK_CBS50_2P	ALUMINUM_BLOCK_CBS50_2P	-	
THIS DRAWING IS A CONTROLLED DOCUMENT.			DWN 2022-01-10 Pavan, Singh CHK 2022-01-21 Pavan, Singh APVD 21JAN2022 Saurabh, Bisht PRODUCT SPEC - APPLICATION SPEC - WEIGHT -		
DIMENSIONS:		TOLERANCES UNLESS OTHERWISE SPECIFIED:		NAME CBS50-2P-GREEN SIZE A3 CAGE CODE 00779 DRAWING NO ©-1SNP300332-0300 RESTRICTED TO -	
mm		0 PLC ± 1 PLC ±1 2 PLC ±1 3 PLC ±1 4 PLC ±1 ANGLES ± MATERIAL - FINISH -			
CUSTOMER DRAWING			SCALE	SHEET	REV
			3:4	1 OF 1	B1