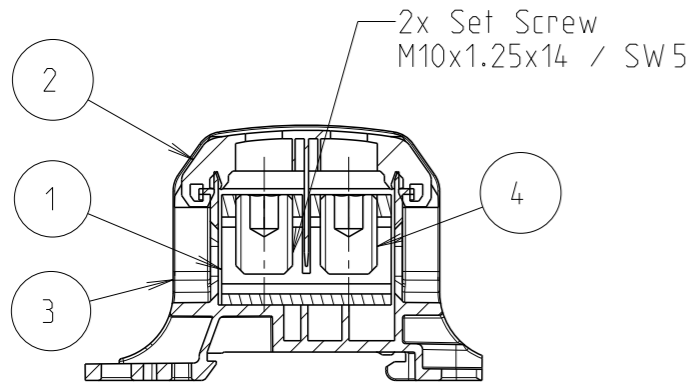
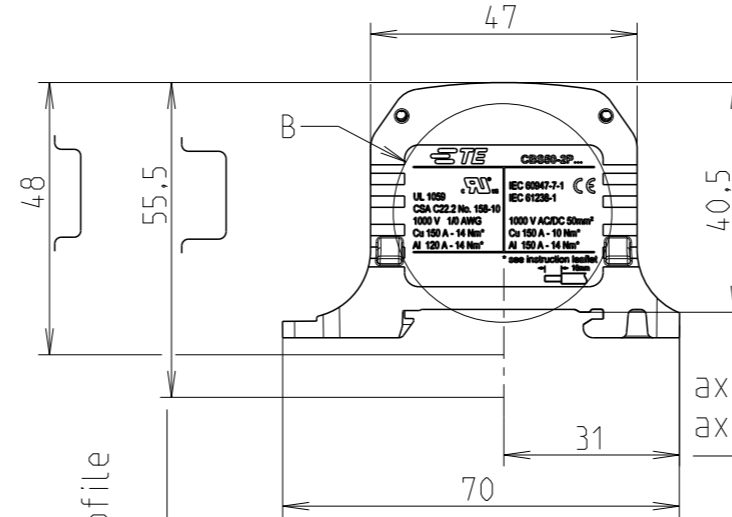
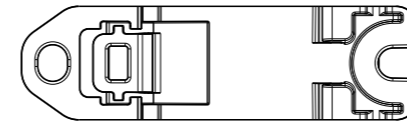


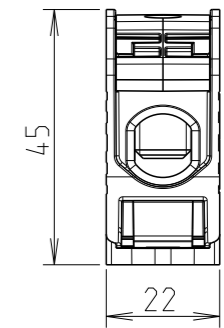
| P | LTR | DESCRIPTION | DATE | DWN | APVD |
|---|-----|------------------|-----------|-----|------|
| | A | INITIAL REVISION | 21JAN2022 | PS | SB |
| | | | | | |
| | | | | | |



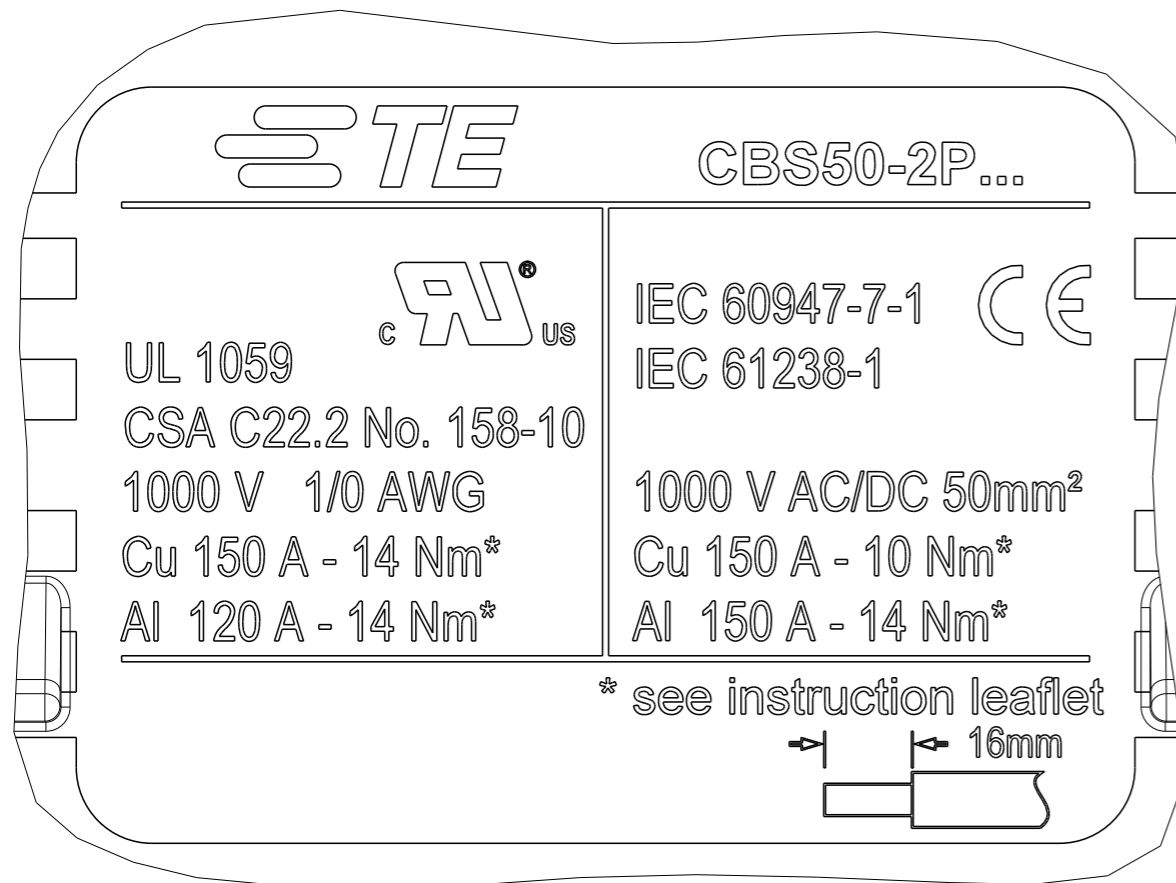
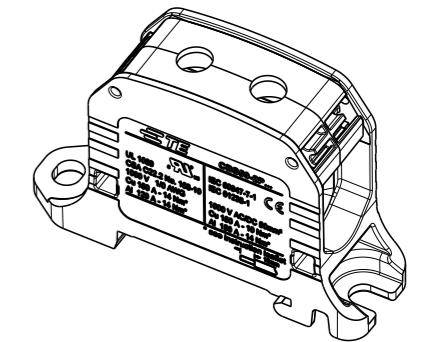
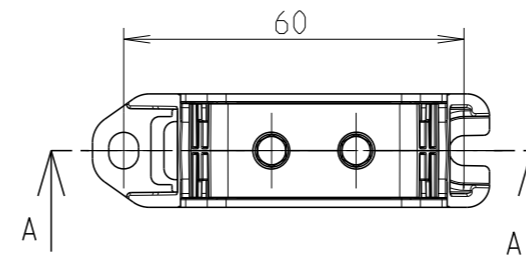
SECTION A-A



axe du profile
axis of profile



hauteur hors tout sur profile
overall height on profile



B(4:1)

1SNF516021R0000
PART NO.

| RPT | QTY | DOC TITLE | DESCRIPTION | ITEM NUMBER | COMMENTS |
|-----|-----|-------------------------|-------------------------|-------------|----------|
| 4 | 2 | SET_SCREW_M10X14 | SET_SCREW_M10X14 | - | |
| 3 | 1 | HOUSING_CBS50_2P | HOUSING_CBS50_2P | - | |
| 2 | 1 | COVER_CBS50_2P_BLUE | COVER_CBS50_2P_BLUE | - | |
| 1 | 1 | ALUMINUM_BLOCK_CBS50_2P | ALUMINUM_BLOCK_CBS50_2P | - | |

| | | | |
|--|--|----------------------------------|---|
| THIS DRAWING IS A CONTROLLED DOCUMENT. | | DWN 2022-01-10 Pavan, Singh | TE Connectivity NAME CBS50-2P-BLUE SIZE A3 CAGE CODE 00779 DRAWING NO C-1SNP300332-0200 RESTRICTED TO - |
| DIMENSIONS: mm | | CHK 2022-01-21 Pavan, Singh | |
| TOLERANCES UNLESS OTHERWISE SPECIFIED: | | APVD 21JAN2022 Saurabh, Bisht | |
| 0 PLC ± 1 PLC ±1 2 PLC ±1 3 PLC ±1 4 PLC ±1 ANGLES ± MATERIAL FINISH | | PRODUCT SPEC | |
| MATERIAL | | WEIGHT - | SCALE 3:4 SHEET 1 OF 1 REV B1 |