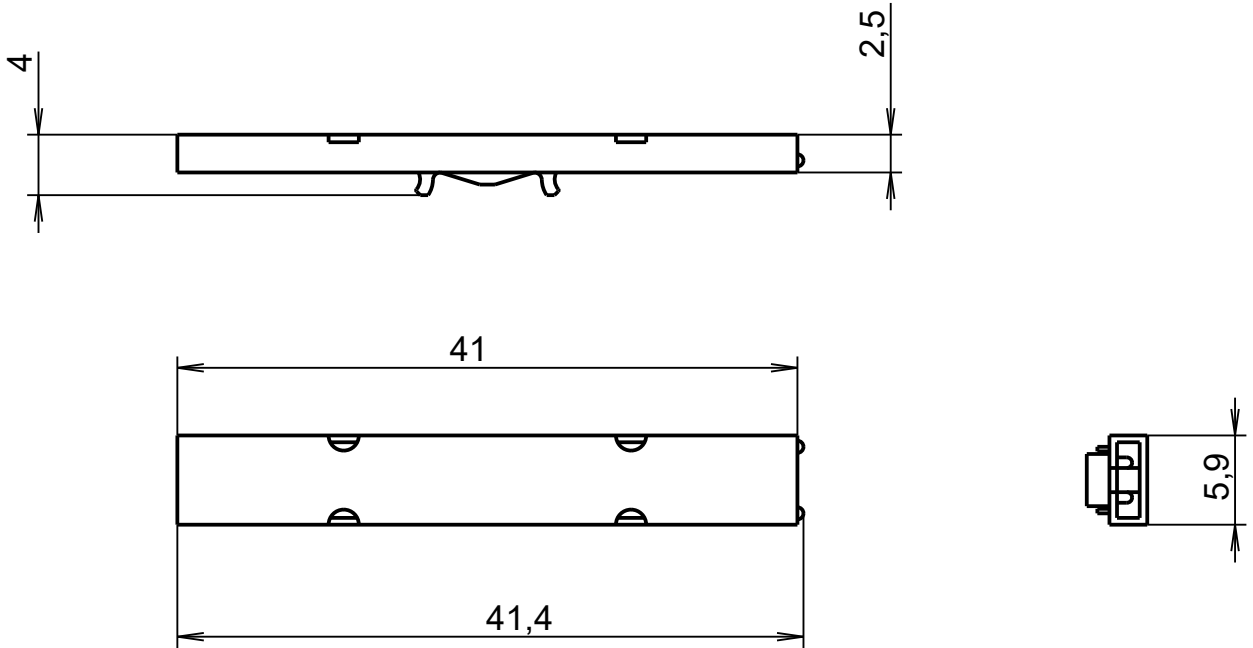


| REVISIONS | | | | | |
|-----------|-----|----------------|-----------|-----|------|
| P | LTR | DESCRIPTION | DATE | DWN | APVD |
| | A | First Released | 18MAR2021 | VR | VR |
| | | | | | |
| | | | | | |



ECHELLE 1:1



| | | | |
|--------|----------|-------------|-----------------|
| - | - | PEH | 1SNA163211R2600 |
| FINISH | MATERIAL | DESCRIPTION | PART NO |

© 2021 TE Connectivity. All Rights Reserved

| | | | | | | | |
|---|------------------------|-----------|-----------------|--------------------|-------------------------------------|-----------------|----------|
| DIMENSIONS: mm | DWN Villard, Romain | 18MAR2021 | MATERIAL PA | FINISH - | | | |
| | CHK | | | | | | |
| TOLERANCES UNLESS OTHERWISE SPECIFIED: 0 PLC ± 1 PLC ±0,1 2 PLC ±0,01 3 PLC ±0,001 4 PLC ±0,0001 ANGLES ± | APVD | | | | NAME PEH | | |
| | PRODUCT SPEC | - | SIZE A4 | CAGE CODE 00779 | DRAWING NO C = C-1SNP050758-0100 | RESTRICTED TO | |
| | APPLICATION SPEC | - | WEIGHT 0,396 | Customer Drawing | SCALE 2:1 | SHEET 1 OF 1 | REV A |