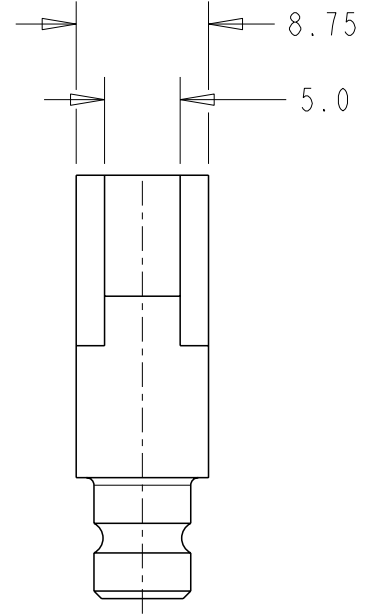
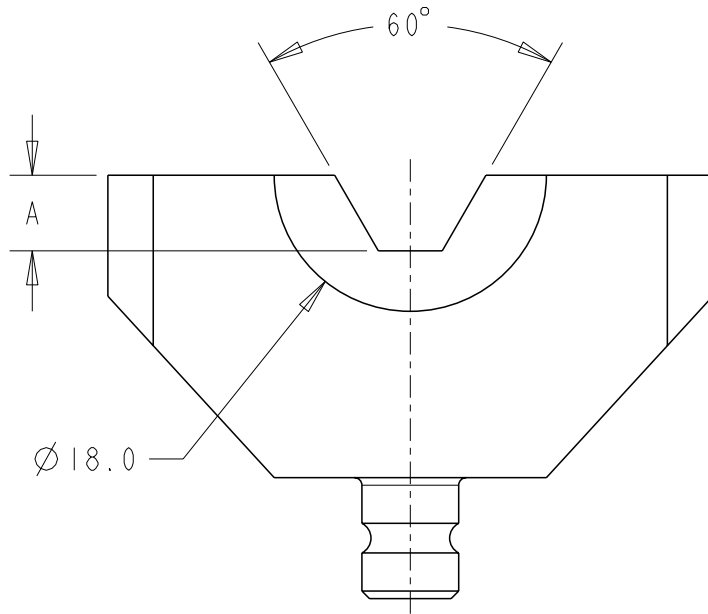


REVISIONS					
P	LTR	DESCRIPTION	DATE	DWN	APVD
	A	NEW DRAWING	19FEB2020	NB	JL



7.0	3E 95 CU	1350968-1
6.0	3E 70 CU	1350970-1
5.0	3E 50 CU	1350971-1
4.5	3E 35 CU	1350972-1
3.8	3E 25 CU	1350973-1
3.3	3E 16 CU	1350974-1
2.9	3E 10 CU	1350975-1
2.2	3E 06 CU	1350958-1
A	DESCRIPTION	PART NUMBER

NOTES

1. TOLERANCES ACCORDING TO ISO-2769-mk.
2. CRIMPING DIE ASSEMBLY IS MADE OF 2 DIES.

© 2020 TE Connectivity. All Rights Reserved.

DIMENSIONS: mm  TOLERANCES UNLESS OTHERWISE SPECIFIED: 0 PLC ± 1 PLC ±0.0 2 PLC ±0.00 3 PLC ±0.000 4 PLC ±0.0000 ANGLES ±-	DWN N BASAVARAJ 19FEB2020 CHK BENOIT MILLOT 19FEB2020 APVD JONATHAN LARDEAU 19FEB2020 PRODUCT SPEC - APPLICATION SPEC - WEIGHT -	MATERIAL PROTECTED STEEL FINISH -  <b>TE</b> TE Connectivity NAME 3E...CU SIZE A4 CAGE CODE 00779 DRAWING NO C-1350971 RESTRICTED TO -
	CUSTOMER DRAWING	SCALE 2:1 SHEET 1 OF 1 REV A