

4

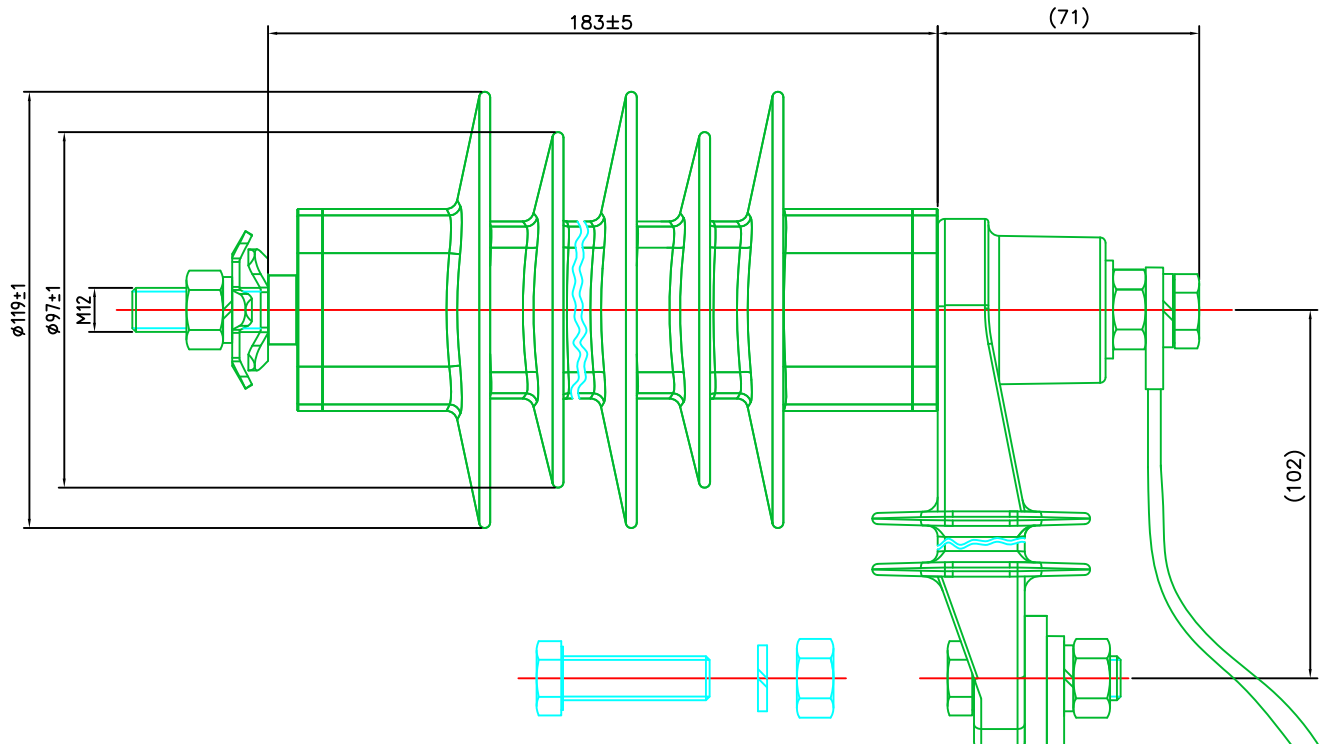
3

2

1

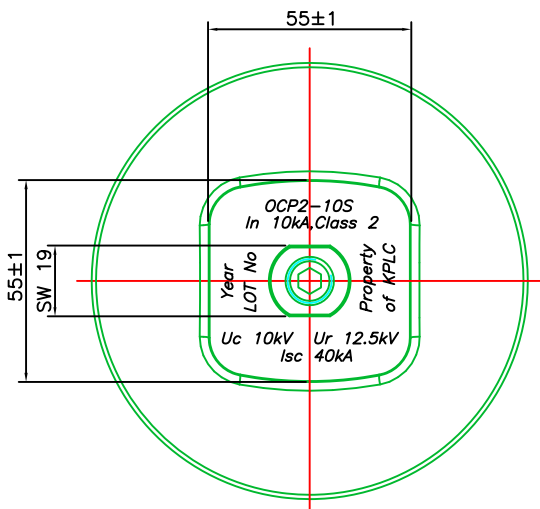
THIS DRAWING IS UNPUBLISHED. RELEASED FOR PUBLICATION --, 19/01/2016
 ALL RIGHTS RESERVED.
 © COPYRIGHT -- TE CONNECTIVITY IRELAND LTD, ISC, BLOCK 1, UNIVERSITY OF LIMERICK (ULP), CASTLESTROY, LIMERICK, IRELAND

LOC		DIST		REVISIONS			
P	LYR	DESCRIPTION	DATE	DM	APD		
A		ORIGINAL ISSUE	01/16	JM			



M12 SET SCREW &
 SPRING WASHER

FLEXIBLE COPPER BRAID
 300mm LONG with 2 LUGS



No SHEDS	CREEPAGE LENGTH	FLASHOVER DISTANCE
5	380	176

NOTE	
HOUSING PRINT	Bowthorpe MO Arrester Isc 40kA In 10kA 50/60 Hz IEC 60099-4

REFER TO TECHNICAL DATASHEETS FOR ALL OTHER PRODUCT DETAILS

THIS DRAWING IS A CONTROLLED DOCUMENT. DWG: J MULLIGAN 19/01/2016
 CHK: R ULBRYCH 01/16
 APD: P FITZGERALD 01/16

TE TE Connectivity

PRODUCT SPEC: EH7120-000
 APPLICATION SPEC: -

NAME: MV SURGE ARRESTER
 BOW-OCP2-10S-BEM-222

SIZE: A2 CAGE CODE: 00779 DRAWING NO: C=BOW-OCP2-10S-BEM-222
 WEIGHT: - RESTRICTED TO: A

MATERIAL: ALL FITTINGS M12, A2 SS FINISH: -
 TOLERANCES UNLESS OTHERWISE SPECIFIED:
 0 PLC ± 1
 1 PLC ± 0.1
 2 PLC ± 0.01
 3 PLC ± 0.001
 4 PLC ± 0.0001
 ANGLES ± 1

CUSTOMER DRAWING SCALE: 1:1 SHEET: 1 of 1 REV: A