

BAND (SUPPLIED FLAT) (3)(8)
(SEE PART NUMBER BREAKDOWN FOR OPTIONS)

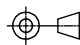


CODE 41 - BANDING BACKSHELL

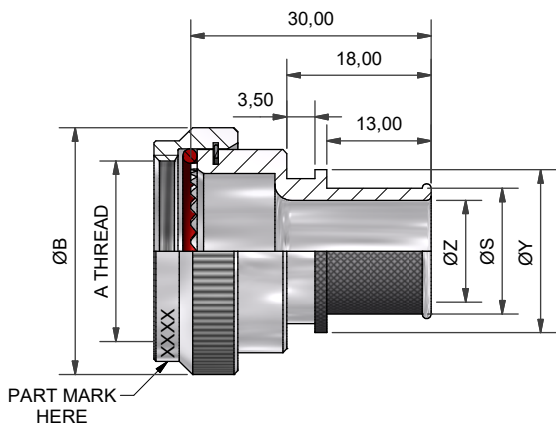
BNX41AB00-1608 -S

SERIES _____
 BNX - BAND STRAP NOT INCLUDED
 BND - BAND STRAP INCLUDED
 (SEE BAND TERMINATION CONFIGURATION)
 CONNECTOR INTERFACE _____
 MATERIAL _____
 REFER TO CH00-0250-016
 FINISH _____
 REFER TO CH00-0250-016
 ANGLE _____
 ORDER NUMBER (TABLE 1) _____
 ENTRY SIZE (TABLE 2) _____
 BAND TERMINATION CONFIGURATION (3)(8) _____
 V - ONE STEP STANDARD BAND
 W - ONE STEP MICROBAND
 U - TWO STEP STANDARD BAND
 FOR BNX, LEAVE BLANK
 OPTION FIELD SEPARATOR _____
 MODIFICATION CODE _____
 REFER TO CH00-0250-016 (2)

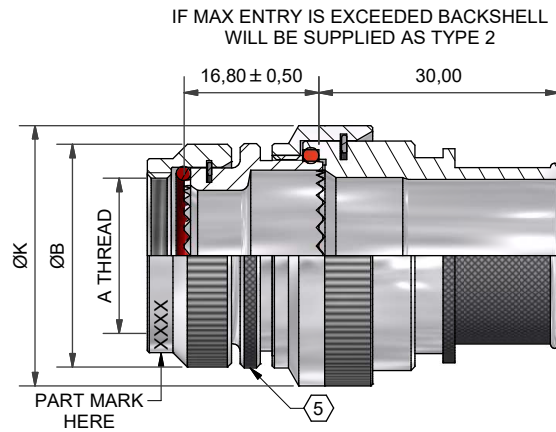
NOTES:

1. THIS PRODUCT IS DESIGNED TO TERMINATE A BRAIDED CABLE SHIELD BY MEANS OF A BAND STRAP AND A HEAT SHRINKABLE LIPPED BOOT TO A CONNECTOR.
- (2) FOR ADDITIONAL DIMENSIONS, ORDERING INFORMATION AND MODIFICATIONS, SEE CH00-0250-016.
- (3) SEE DRAWING BND-XXXXX FOR MORE INFORMATION.
4. BACKSHELL TO BE PERMANENTLY MARKED WITH CODE IDENTIFICATION NUMBER AND FULL BASIC PART NUMBER (e.g. 06090-BND41AB00-1814). BACKSHELL TO BE MARKED WITH "BND" EVEN IF NO BAND IS ORDERED. THE BAND TERMINATION CONFIGURATION CODE IS FOR ORDERING INFORMATION ONLY AND IS NOT A PART MARKING REQUIREMENT.
- (5) ALL ENTRY SIZES ARE SHOWN IN TABLE 2. MAXIMUM ENTRY SIZES ARE SHOWN IN TABLE 1. IF MAX ENTRY IS EXCEEDED, A 2 PIECE BACKSHELL ASSEMBLY (TYPE 2) IS SUPPLIED. SEE CH00-0250-016 FOR FURTHER DETAILS.
6. BACKSHELL MATES TO MIL-DTL-38999, SERIES I AND II, CLASS E AND T, MS27466, MS27467, MS27468, MS27472, MS27473, MS2474, MS2479, MS2480, MS2481, MS2484, MS2497, MS24652, MS24653 AND MS24656 CONNECTORS.
- (7) THESE DIMENSIONS APPLY IF A SELF-LOCKING COUPLING NUT IS USED
- (8) V AND U BANDS ARE SUITABLE FOR ENTRY SIZES 03-24, W IS SUITABLE FOR ENTRY SIZES 03-12 ONLY. CONTACT FACTORY FOR BAND OPTIONS ON LARGER ENTRY SIZES.

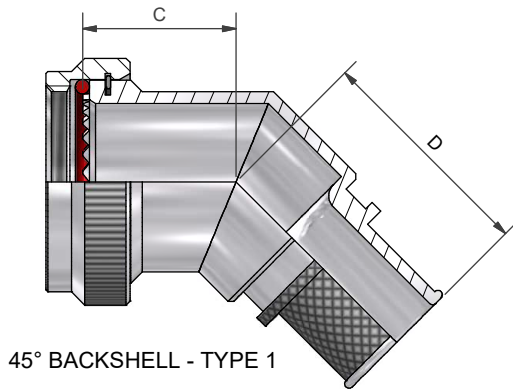
DRAWN	K.WINCZURA	DATE 26/01/2015	 3RD ANGLE PROJECTION NOT TO SCALE	TITLE: <h3 style="text-align: center;">BANDING BACKSHELL</h3>	 Polamco  TE connectivity
CHECKED		26/01/2015	UNLESS OTHERWISE SPECIFIED ALL DIMENSIONS IN MILLIMETRES GENERAL TOL LINEAR +/-0.25MM ANGULAR +/- 1°	ASSY USED ON: <h3 style="text-align: center;">MIL-DTL-38999 SERIES II</h3>	
APPROVED	K.SHEPPARD	27/01/2015			
APPROVED	H.SMITH	15/09/2015			
REVISIONS					
LTR	DESCRIPTION	DATE	APPROVED		
PC	REVISED PER ECO-15-013261	15/09/2015	H.SMITH		
PD	REVISED PER ECO-15-016545	17/11/2015	H.SMITH		
TE CAGE CODE: 06090 POLAMCO/TE CAGE CODE: U5792				TE CONNECTIVITY - POLAMCO LTD RESERVES THE RIGHT TO AMEND THIS DRAWING AND THE INFORMATION SET FORTH HEREON AT ANY TIME. USERS SHOULD INDEPENDENTLY EVALUATE THE SUITABILITY OF THE PRODUCT FOR THEIR APPLICATION.	DRAWING NO: BND41
				DRAWING REV: PD	SHT 1



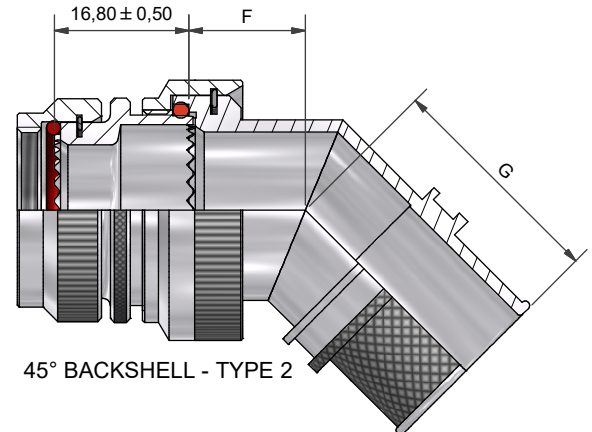
STRAIGHT BACKSHELL - TYPE 1



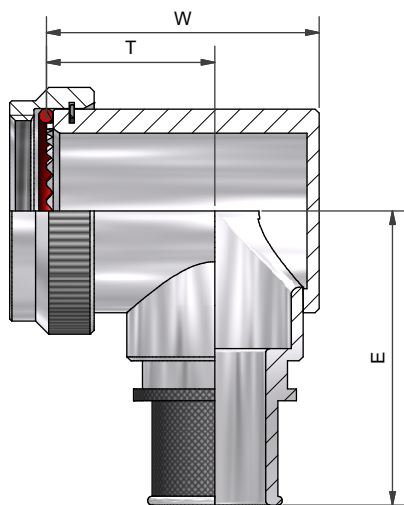
STRAIGHT BACKSHELL - TYPE 2



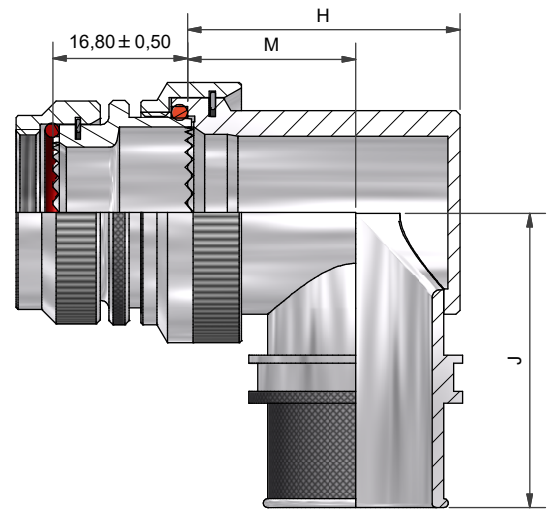
45° BACKSHELL - TYPE 1



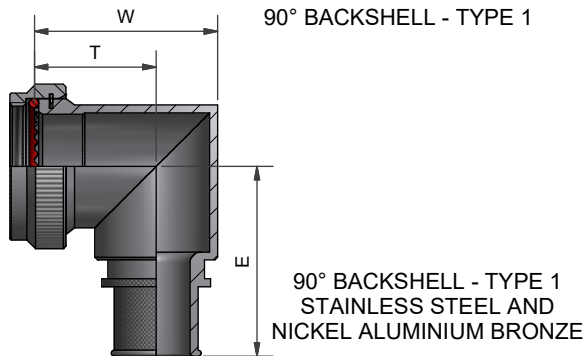
45° BACKSHELL - TYPE 2



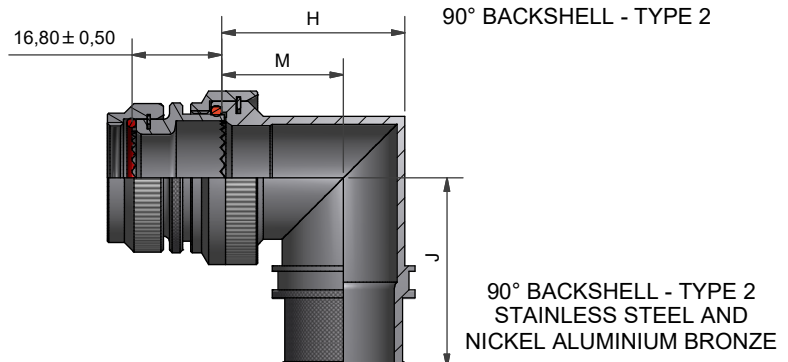
90° BACKSHELL - TYPE 1



90° BACKSHELL - TYPE 2



90° BACKSHELL - TYPE 1
STAINLESS STEEL AND
NICKEL ALUMINIUM BRONZE



90° BACKSHELL - TYPE 2
STAINLESS STEEL AND
NICKEL ALUMINIUM BRONZE

DRAWN	K.WINCZURA	DATE	26/01/2015
CHECKED		DATE	26/01/2015
APPROVED	K.SHEPPARD	DATE	27/01/2015
APPROVED	H.SMITH	DATE	15/09/2015
REVISIONS			
LTR	DESCRIPTION	DATE	APPROVED
PC	REVISED PER ECO-15-013261	15/09/2015	H.SMITH
PD	REVISED PER ECO-15-016545	17/11/2015	H.SMITH



3RD ANGLE
PROJECTION
NOT TO
SCALE

UNLESS OTHERWISE SPECIFIED
ALL DIMENSIONS IN MILLIMETRES
GENERAL TOL
LINEAR +/-0,25MM
ANGULAR +/- 1°

TITLE:

BANDING BACKSHELL

ASSY USED ON:

MIL-DTL-38999 SERIES II



TE CONNECTIVITY - POLAMCO LTD RESERVES THE RIGHT TO AMEND THIS DRAWING AND THE INFORMATION SET FORTH HEREON AT ANY TIME. USERS SHOULD INDEPENDENTLY EVALUATE THE SUITABILITY OF THE PRODUCT FOR THEIR APPLICATION.

DRAWING NO:
BND41

DRAWING REV:
PD

SHT
2

TE CAGE CODE: 06090
POLAMCO/TE CAGE CODE: U5792

MODIFICATION S

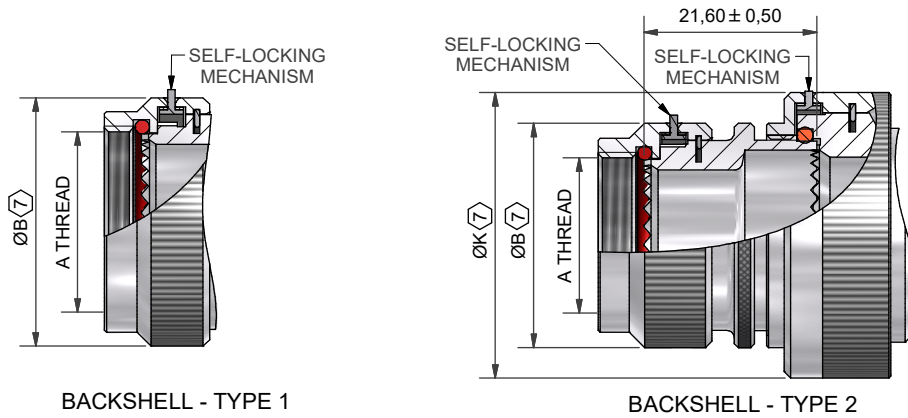


TABLE 1

ORDER NUMBER	SHELL SIZE SER II / SER I	A THREAD	ØB MAX	ØB MAX (7)	MAX ENTRY	C ±0,5	D ±0,5	W ±0,5	T ±0,5	E ±0,5	THESE DIMENSIONS APPLY IF BACKSHELL IS STAINLESS STEEL OR NICKEL ALUMINIUM BRONZE		
											W ±0,5	T ±0,5	E ±0,5
08	8 / 9	7/16-28UNEF	18,3	18,0	04	16,4	25,1	21,0	14,0	30,0	21,3	16,4	29,0
10	10 / 11	9/16-24UNEF	21,5	21,0	07	17,2	26,2	24,0	15,5	32,0	24,4	17,3	31,2
12	12 / 13	11/16-24UNEF	24,5	25,0	08	17,6	26,6	27,0	17,0	33,5	28,4	19,5	33,0
14	14 / 15	13/16-20UNEF	27,8	28,0	10	18,5	27,5	31,0	19,5	35,4	31,2	21,0	34,9
16	16 / 17	15/16-20UNEF	30,8	31,0	12	19,2	28,3	34,0	21,0	36,7	34,3	22,8	35,5
18	18 / 19	1 1/16-18UNEF	34,1	34,0	14	19,6	28,8	35,0	20,0	38,3	38,6	25,3	37,2
20	20 / 21	1 3/16-18UNEF	37,3	37,0	16	20,4	29,7	38,0	21,5	40,0	40,8	26,1	38,7
22	22 / 23	1 5/16-18UNEF	40,5	40,0	18	20,8	30,0	42,0	24,0	41,6	43,8	27,6	40,2
24	24 / 25	1 7/16-18UNEF	43,7	43,5	20	21,7	30,9	45,0	25,5	43,0	46,5	29,1	44,9

TABLE 2

ENTRY SIZE	ØZ MIN	ØS MAX	ØY MAX	ØK MAX	ØK MAX (7)	F ±0,5	G ±0,5	H ±0,5	M ±0,5	J ±0,5	THESE DIMENSIONS APPLY IF BACKSHELL IS STAINLESS STEEL OR NICKEL ALUMINIUM BRONZE		
											H ±0,5	M ±0,5	J ±0,5
03	4,7	7,8	14,0	NA	NA	NA	NA	NA	NA	NA	NA	NA	NA
04	6,3	9,4	14,0	NA	NA	NA	NA	NA	NA	NA	NA	NA	NA
05	7,9	11,0	15,5	21,0	24,6	12,5	26,2	24,0	15,5	32,0	24,3	17,2	31,2
06	9,5	12,5	17,2	21,0	24,6	12,5	26,2	24,0	15,5	32,0	24,3	17,2	31,2
07	11,1	14,1	18,7	21,0	24,6	12,5	26,2	24,0	15,5	32,0	24,3	17,2	31,2
08	12,7	15,7	20,3	24,5	28,3	13,1	26,6	27,0	17,0	33,5	28,3	19,4	33,0
09	14,2	17,3	21,9	24,5	28,3	13,1	26,6	27,0	17,0	33,5	28,3	19,4	33,0
10	15,8	18,8	23,5	29,0	32,4	13,5	27,5	31,0	19,5	35,4	31,1	21,0	34,9
11	17,4	20,5	25,1	32,5	35,6	14,5	28,3	34,0	21,0	36,7	34,2	22,8	35,5
12	19,0	22,0	26,7	32,5	35,6	14,5	28,3	34,0	21,0	36,7	34,2	22,8	35,5
13	20,6	23,6	28,3	35,5	38,5	15,5	28,8	35,0	20,0	38,3	38,5	25,3	37,2
14	22,2	25,2	29,9	35,5	38,5	15,5	28,8	35,0	20,0	38,3	38,5	25,3	37,2
15	23,8	26,8	31,5	37,0	41,7	16,1	29,7	38,0	21,5	40,0	40,7	26,1	38,7
16	25,4	28,4	33,1	37,0	41,7	16,1	29,7	38,0	21,5	40,0	40,7	26,1	38,7
18	28,6	30,0	36,3	40,0	43,9	16,5	30,0	42,0	24,0	41,6	43,7	27,6	40,2
20	31,8	34,8	39,5	43,5	47,0	17,0	30,9	45,0	25,5	43,0	46,4	29,1	44,9
22	35,0	38,0	42,7	48,5	50,0	18,5	31,3	54,5	31,0	45,1	50,0	31,0	45,1
24	38,1	41,1	45,9	52,1	56,0	21,9	32,8	58,0	33,0	51,1	53,5	33,0	51,1
26 (8)	41,3	44,3	49,1	56,6	61,3	25,7	32,8	62,5	35,0	51,1	58,0	35,0	51,1
28 (8)	44,5	47,5	52,3	63,0	64,5	26,9	33,8	65,5	34,5	54,1	61,0	34,5	54,1
30 (8)	47,6	50,7	55,6	75,5	80,2	29,2	34,4	69,0	36,0	57,4	64,5	36,0	57,4
32 (8)	50,8	53,8	58,5	75,5	80,2	29,2	34,4	72,0	37,5	57,4	67,5	37,5	57,4
34 (8)	54,0	57,0	61,8	75,5	80,2	29,2	34,4	75,5	39,0	57,4	71,0	39,0	57,4

DRAWN	K.WINCZURA	DATE 26/01/2015	 3RD ANGLE PROJECTION NOT TO SCALE	TITLE: <h2 style="text-align: center;">BANDING BACKSHELL</h2>	 Polamco 												
CHECKED		26/01/2015	UNLESS OTHERWISE SPECIFIED ALL DIMENSIONS IN MILLIMETRES GENERAL TOL LINEAR +/- 0,25MM ANGULAR +/- 1°	ASSY USED ON: <h2 style="text-align: center;">MIL-DTL-38999 SERIES II</h2>													
APPROVED	K.SHEPPARD	27/01/2015		REVISIONS <table border="1" style="width: 100%; border-collapse: collapse;"> <thead> <tr> <th>LTR</th> <th>DESCRIPTION</th> <th>DATE</th> <th>APPROVED</th> </tr> </thead> <tbody> <tr> <td>PC</td> <td>REVISED PER ECO-15-013261</td> <td>15/09/2015</td> <td>H.SMITH</td> </tr> <tr> <td>PD</td> <td>REVISED PER ECO-15-016545</td> <td>17/11/2015</td> <td>H.SMITH</td> </tr> </tbody> </table>		LTR	DESCRIPTION	DATE	APPROVED	PC	REVISED PER ECO-15-013261	15/09/2015	H.SMITH	PD	REVISED PER ECO-15-016545	17/11/2015	H.SMITH
LTR	DESCRIPTION	DATE		APPROVED													
PC	REVISED PER ECO-15-013261	15/09/2015		H.SMITH													
PD	REVISED PER ECO-15-016545	17/11/2015	H.SMITH														
APPROVED	H.SMITH	15/09/2015															
TE CAGE CODE: 06090 POLAMCO/TE CAGE CODE: U5792				TE CONNECTIVITY - POLAMCO LTD RESERVES THE RIGHT TO AMEND THIS DRAWING AND THE INFORMATION SET FORTH HEREON AT ANY TIME. USERS SHOULD INDEPENDENTLY EVALUATE THE SUITABILITY OF THE PRODUCT FOR THEIR APPLICATION.	DRAWING NO: <h2 style="font-size: 1.2em;">BND41</h2>	DRAWING REV: <h2 style="font-size: 1.2em;">PD</h2>	SHT <h2 style="font-size: 1.2em;">3</h2>										