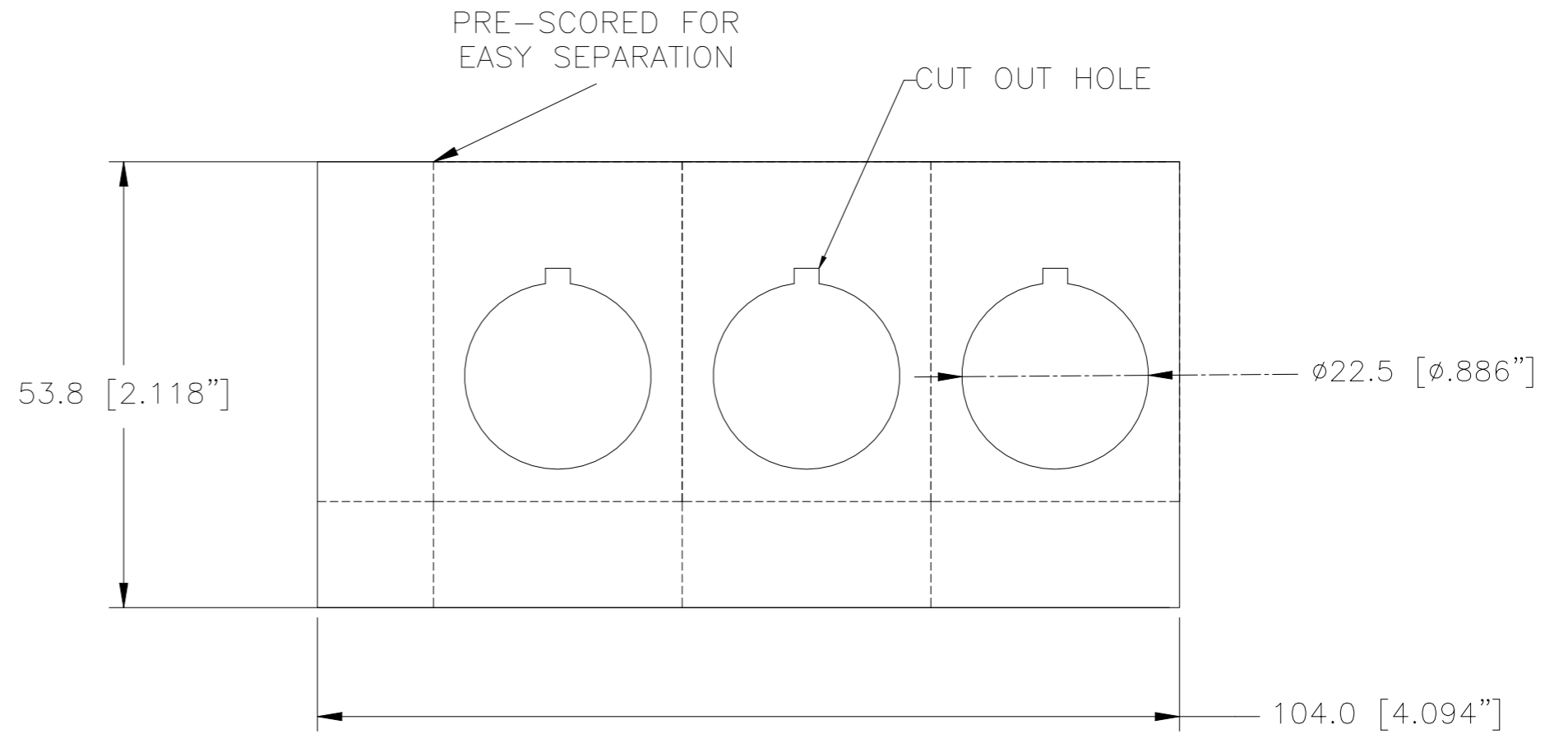
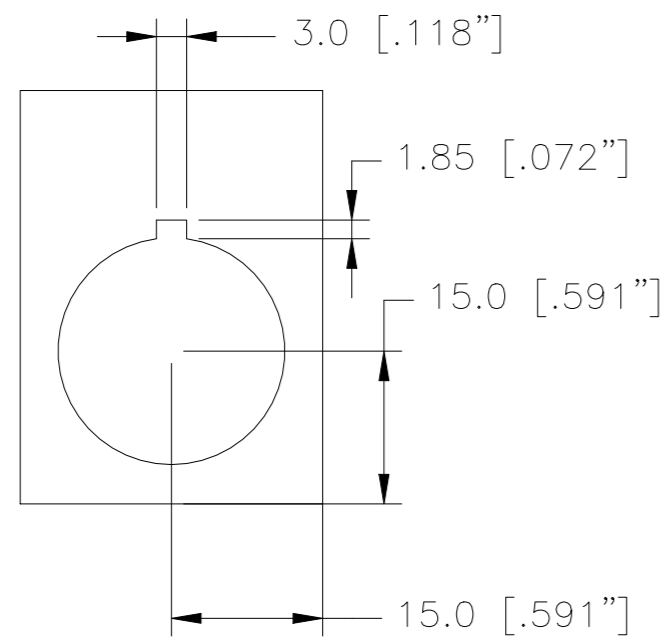


| P | LTR | DESCRIPTION | DATE | DWN | APVD |
|---|-----|-----------------|-----------|-----|------|
| | A | INITIAL RELEASE | 10MAR2022 | GK | MN |



LABEL ACROSS: 3
LABELS PER SHEET: 3
 All dimensions in mm [INCHES]

| Print Colour | Description | Material | Nom. Thickness | Adhesive Type | Part number |
|--------------|--------------------|------------------|----------------|-------------------|-------------|
| | BET030041-PV05SIID | SILVER RIGID PVC | 0.5 mm | PERMANENT ACRYLIC | 253984-000 |

| | | | | |
|---|--|---|---|--|
| TOLERANCES mm [INCHES] LABEL HEIGHT: ±0.3 [.012] LABEL WIDTH: ±0.3 [.012] WEB WIDTH: ±0.8 [.031] VERTICAL REPEAT: ±0.8 [.031]* HORIZONTAL REPEAT: ±0.8 [.031]* PRINT POSITIONING: ±0.8 [.031]* LEFT MARGIN: ±0.4 [.016] QUANTITY: -0 % +2 % *NON ACCUMULATING | THIS DRAWING IS A CONTROLLED DOCUMENT. | | DWN 10MAR2022 GOPALAKRISHNA HV | TE Connectivity NAME BET - SILVER PVC RIGID EQUIPMENT LABELS |
| | DIMENSIONS: mm [INCHES] | TOLERANCES UNLESS OTHERWISE SPECIFIED: 0 PLC ± - 1 PLC ± - 2 PLC ± - 3 PLC ± - 4 PLC ± - ANGLES ± - FINISH - | CHK 10MAR2022 M. NUTTALL | |
| | | | APVD 10MAR2022 M. NUTTALL | |
| | MATERIAL SEE TABLE | | PRODUCT SPEC TTDS-045 APPLICATION SPEC - | |
| | | WEIGHT 1.00g | SIZE A3 CAGE CODE C2290 DRAWING NO. C-BET030041-PV05SIID RESTRICTED TO - | |
| | | CUSTOMER DRAWING | SCALE NTS | SHEET 1 OF 1 REV A |