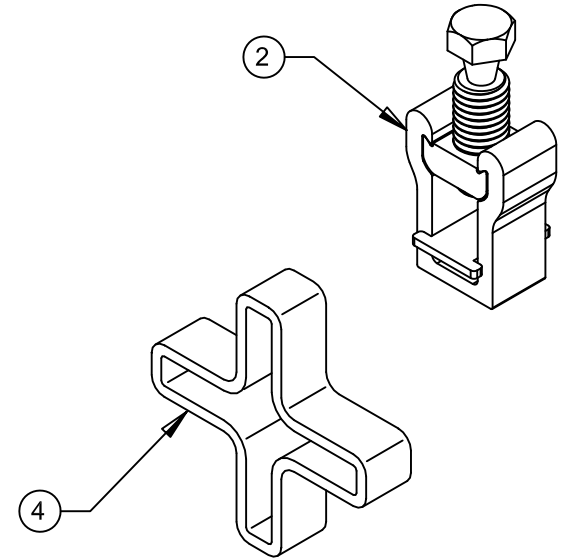
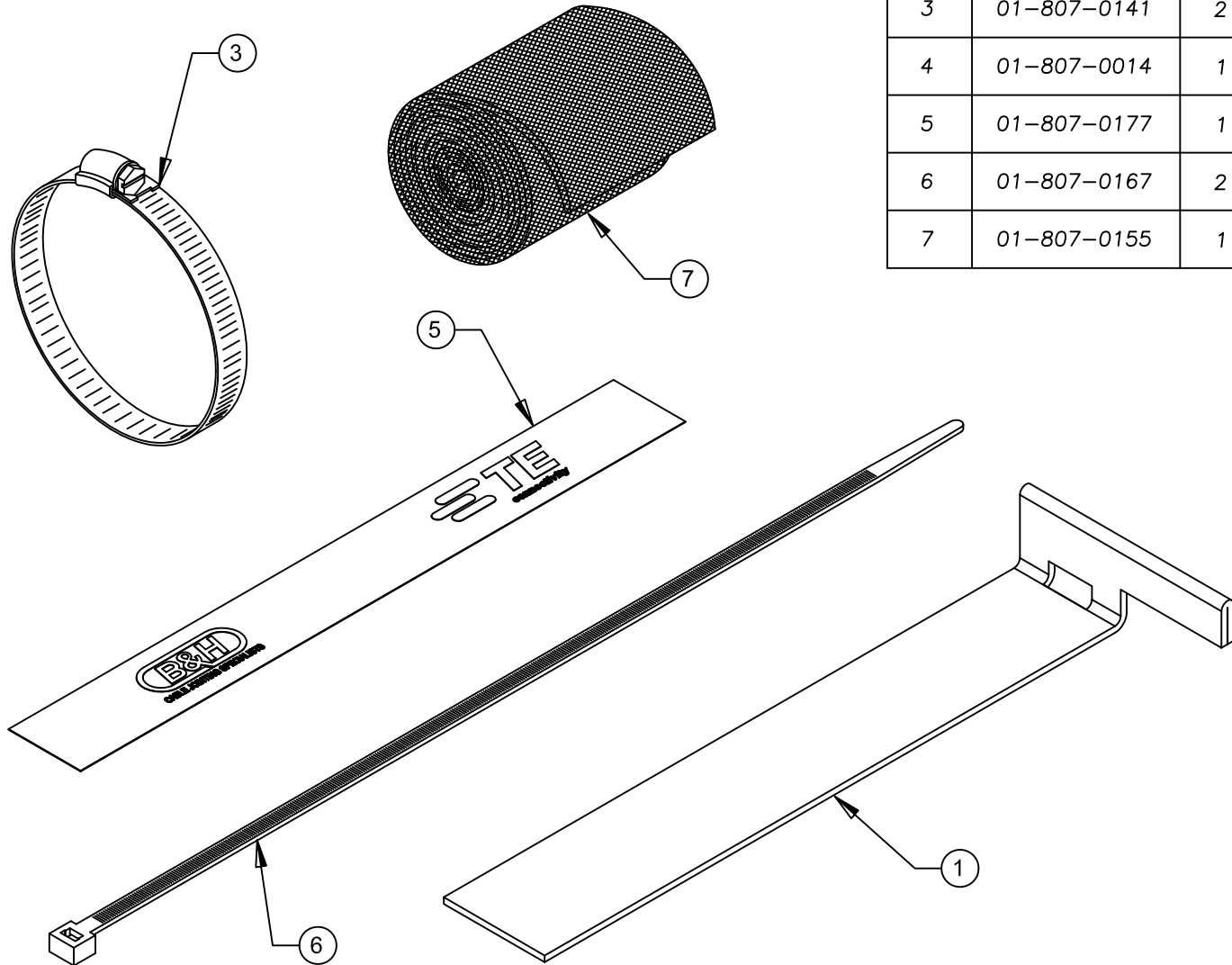


ITEM	PART/DRG NO.	QTY.	DESCRIPTION
1	01-503-0001	1	LV EARTH BONDING STRAP #1
2	02-500-0006	1	BRASS CNE CONNECTOR ASSEMBLY – TYPE 1 WITH SINGLE-SHEAR BOLT
3	01-807-0141	2	FERRITIC STAINLESS STEEL WORM-DRIVE CLIP – 45-70mm
4	01-807-0014	1	CABLE SPREADER FOR UP TO 185 CONDUCTOR
5	01-807-0177	1	PAPER RULE
6	01-807-0167	2	CABLE TIE – 300 LONG – BLACK
7	01-807-0155	1	KNITMESH RFI SHIELDING TAPE 50 WIDE x 600 LONG



E	PICTORIAL CHANGES TO BAH-015030001 & BAH-018070177	BH-01223	15/06/17
D	PICTORIAL CHANGE ONLY TO SHOW ORIGINAL STYLE BCNE1S	BH-00885	01/05/13
C	PICTORIAL CHANGE ONLY TO SHOW NEW STYLE BCNE1S	BH-00821	22/08/12
B	REDRAWN, PART No WAS LVEB-KIT01, DRG WAS 0114-002	S.P.W	19.11.01
A	FIRST ISSUE	E.T	29.10.96
Revision	Description	Name/DMR	Date
Design/Drawn	S.P.WEST	Date	19 NOV 2001
PCN/RPN No	727642-000	Scale (UOS)	1:2
Drawing/Part No	BAH-035030013	Checked/Approved by	
Drawing Type	CUSTOMER	THIRD ANGLE PROJECTION	Revision
			E



Material	VARIES
Finish	VARIES
Tolerances (UOS)	N/A
B&H Short Desc.	LVEB-KIT01

IF IN DOUBT ASK – DO NOT SCALE
Part Description

LV EARTH BONDING KIT #1