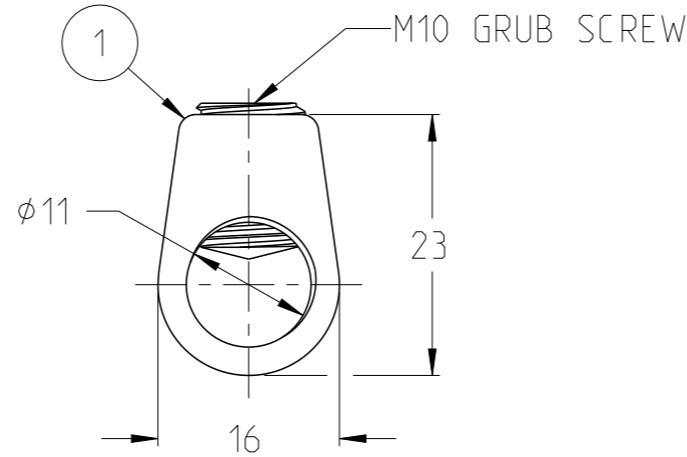
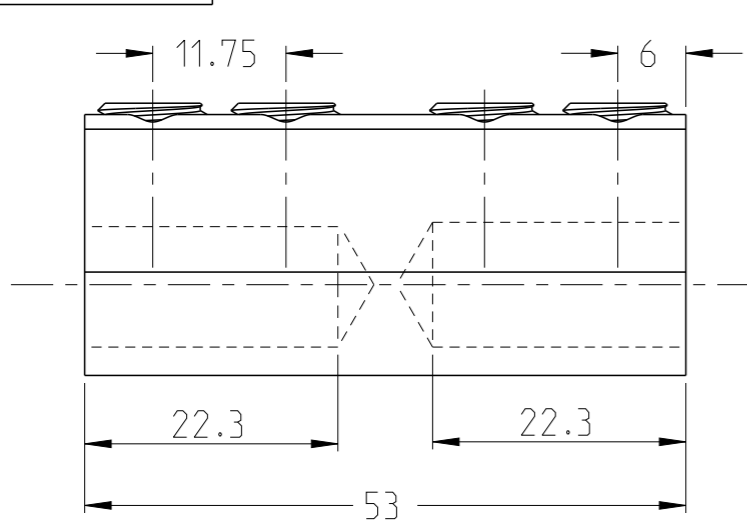
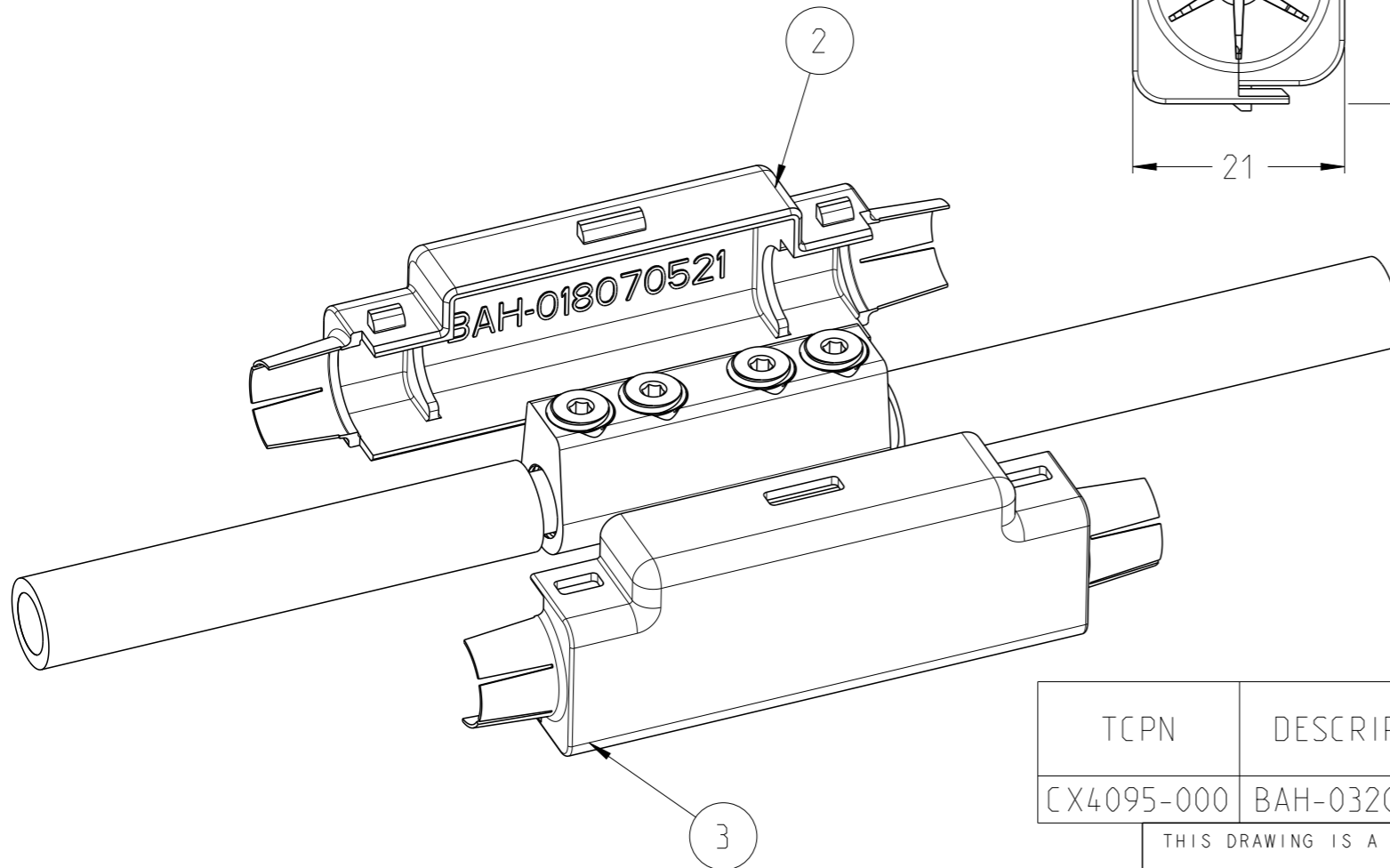
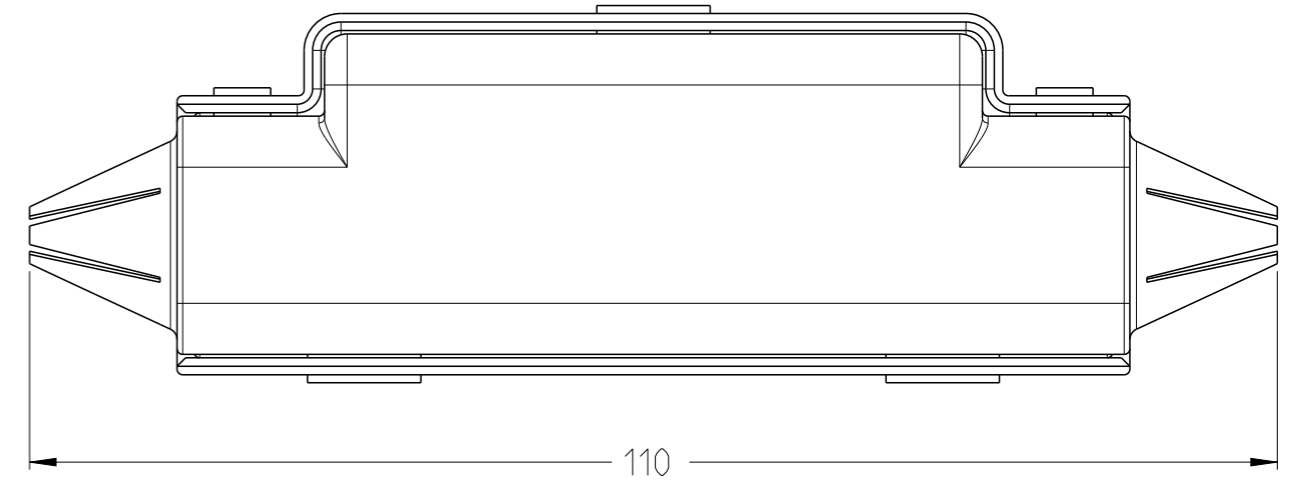
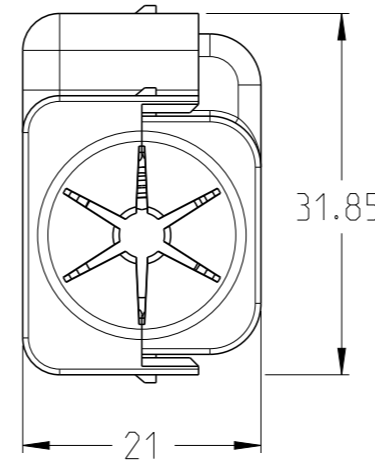


P	LTR	DESCRIPTION	DATE	DWN	APVD
	A	INITIAL RELEASE	16MAR2021	VG	NA



SHROUDS NOT SHOWN



TCPN	DESCRIPTION	REFERENCE	NOMINAL BORE Ø	CONDUCTOR SIZE (mm ²)		STD GRUB SCREW SIZE
				STD CU OR AL	SOLID AL	
CX4095-000	BAH-032040066	BTC360W INS	11	4-60	10-70	M10

THIS DRAWING IS A CONTROLLED DOCUMENT.

DWN	16MAR2021	VENKATESH G
CHK	16MAR2021	L. JONATHAN
APVD	16MAR2021	N. ALMEIDA
PRODUCT SPEC		
APPLICATION SPEC		
WEIGHT		



NAME
BRASS TUNNEL CONNECTORS WITH MOULDED INSULATION SHROUDS
BAH-032040066

SIZE	CAGE CODE	DRAWING NO	RESTRICTED TO
A3	00779	BAH-032040066	-

ITEM	QTY	PART NUMBER	DESCRIPTION
3	1	CU2410-000	BTC360W INSULATION SHROUD - OUTER
2	1	CU2411-000	BTC360W INSULATION SHROUD - INNER
1	1	036674-000	BRASS TUNNEL CONNECTOR - OVAL SECTION 16.0 W x 23.0 H x 53.0 LONG WITH Ø11.0 BLOCKED THREADED BORE

DIMENSIONS:	TOLERANCES UNLESS OTHERWISE SPECIFIED:
mm	
	0 PLC ±
	1 PLC ±
	2 PLC ±
	3 PLC ±
	4 PLC ±
	ANGLES ±
MATERIAL	FINISH
-	-

CUSTOMER DRAWING	SCALE 3:2	SHEET 1 OF 1	REV A
------------------	-----------	--------------	-------