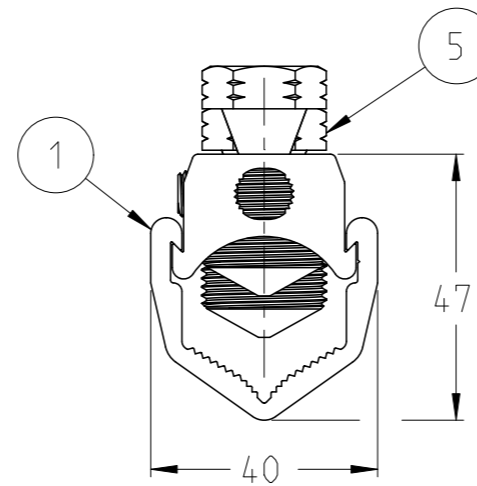
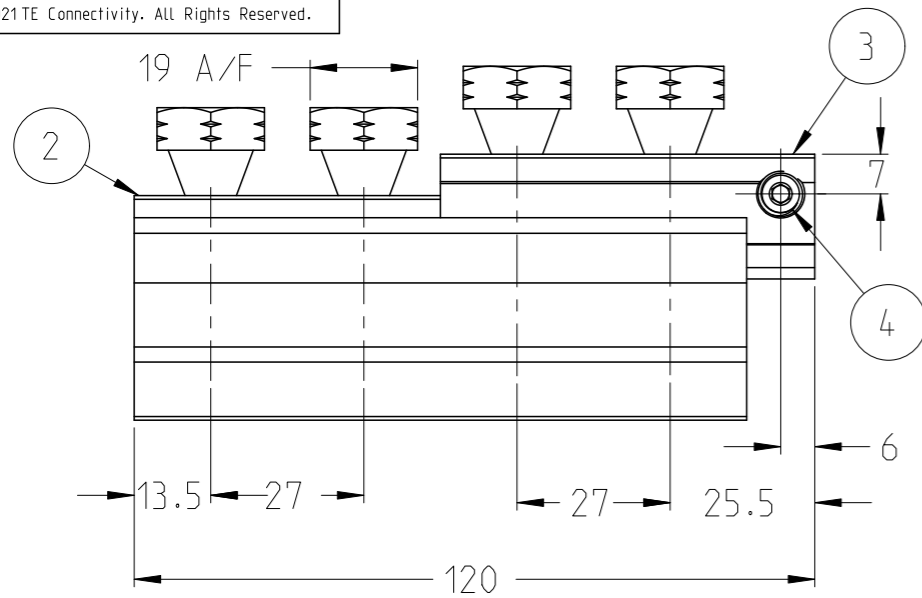
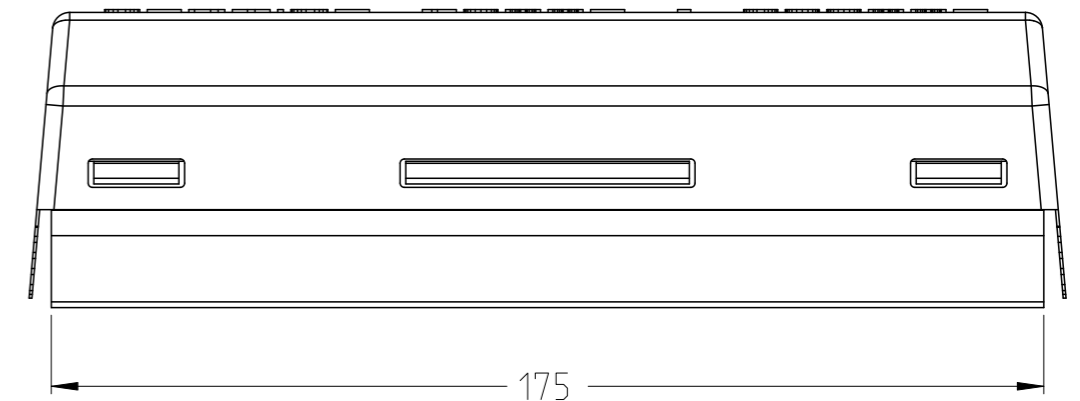
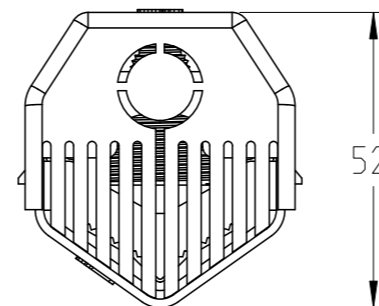
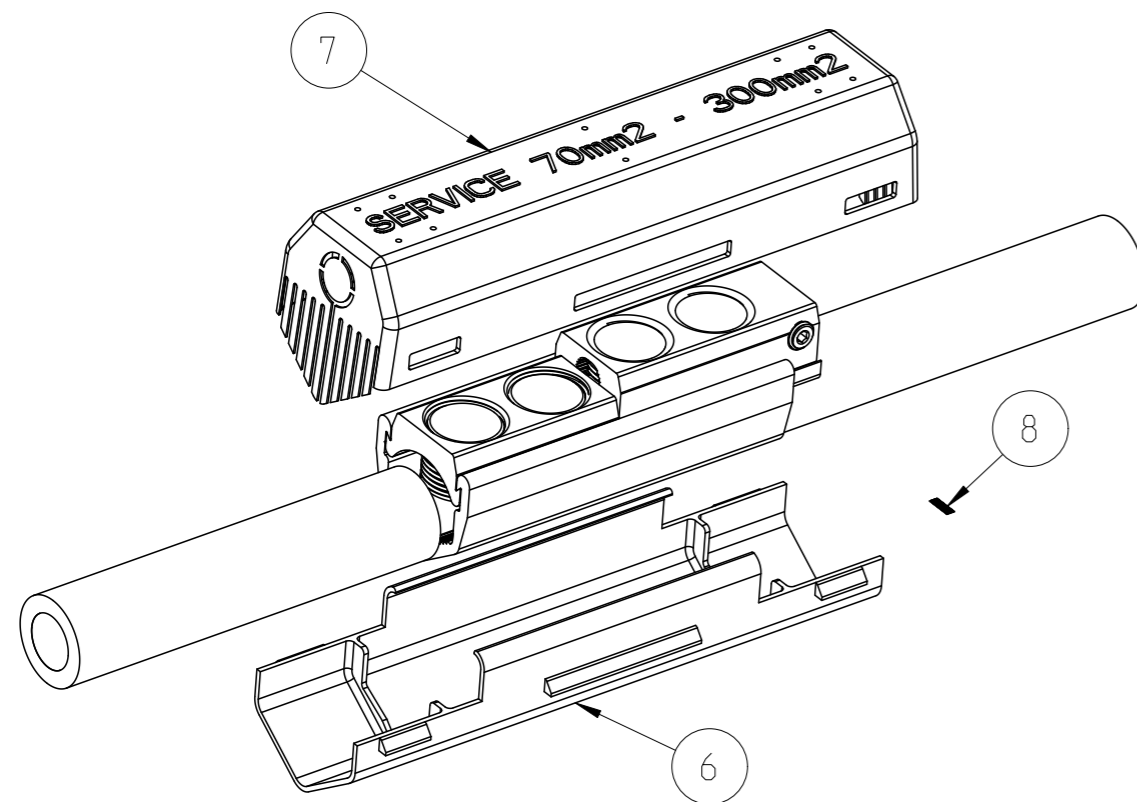
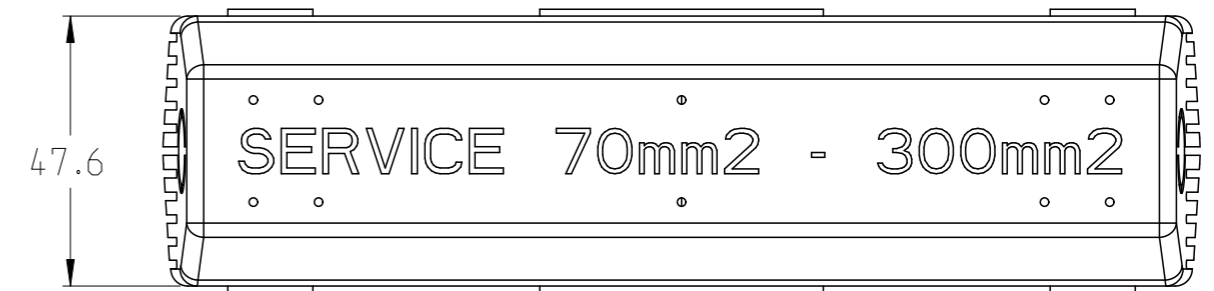


P	LTR	DESCRIPTION	DATE	DWN	APVD
	A	INITIAL RELEASE	23MAR2021	VG	NA



SHROUDS NOT SHOWN



ITEM	QTY	PART NUMBER	DESCRIPTION
8	1	355386-000	MESH
7	1	CP1542-000	UST300 SERVICE UPPER INSULATION SHROUD
6	1	EB6948-000	UST300 LOWER INSULATION SHROUD
5	2	EE3573-000	M22x1.5 19 A/F 40.5 LONG ALUMINIUM SINGLE-SHEAR BOLT KIT
4	1	444628-000	M8x1.25 3A/F 10.5 LONG BRASS GRUBSCREW
3	1	041156-000	UNIVERSAL 300mm <sup>2</sup> SINGLE SERVICE TAKE-OFF TOP INSERT (2 BOLT)
2	1	883218-000	UNIVERSAL 300mm <sup>2</sup> TOP INSERT (2 BOLT)
1	1	434968-000	UNIVERSAL 300mm <sup>2</sup> STRAIGHT BOTTOM INSERT (4 BOLT)

TCPN	DESCRIPTION	REFERENCE	CONDUCTOR SIZE (mm <sup>2</sup> )	SOCKET/SPANNER A/F (mm)
EB9137-000	BAH-032020084	UST300SBS-G/INS	70-300	19

THIS DRAWING IS A CONTROLLED DOCUMENT.

DWN: VENKATESH G 23MAR2021  
 CHK: L. JONATHAN 23MAR2021  
 APVD: N. ALMEIDA 23MAR2021

TE Connectivity

UNIVERSAL STRAIGHT JOINT CONNECTORS WITH SERVICE CONNECTIONS AND MOULDED INSULATION SHROUDS BAH-032020084

NAME: N. ALMEIDA

PRODUCT SPEC: -  
 APPLICATION SPEC: -  
 WEIGHT: -

SIZE: A3 CAGE CODE: 00779 DRAWING NO: BAH-032020084 RESTRICTED TO: -

CUSTOMER DRAWING SCALE: 3:4 SHEET: 1 OF 1 REV: A