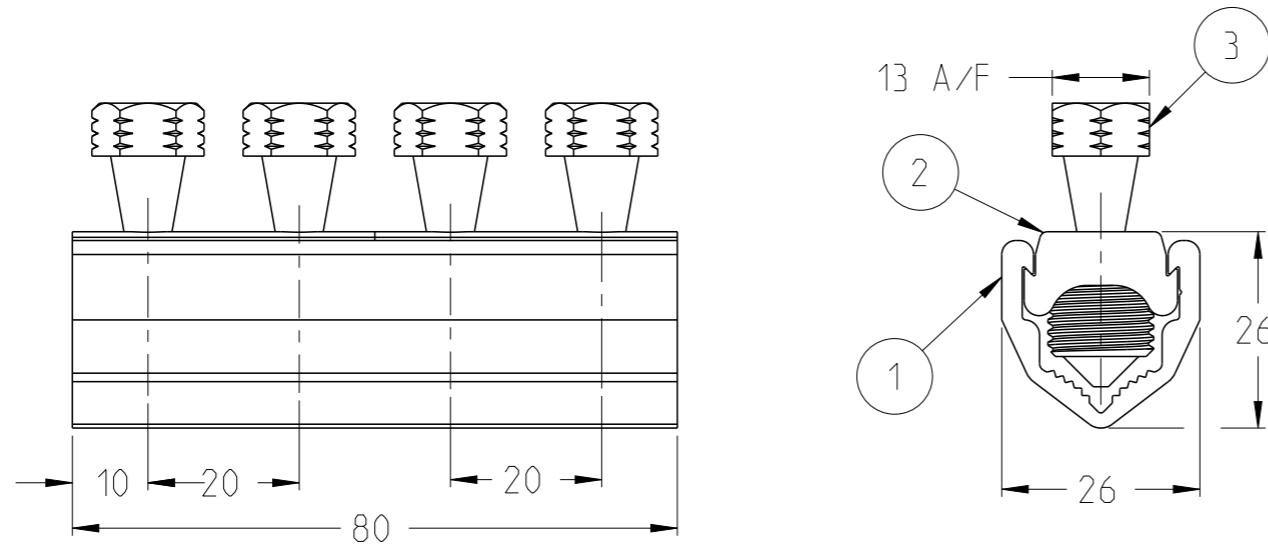
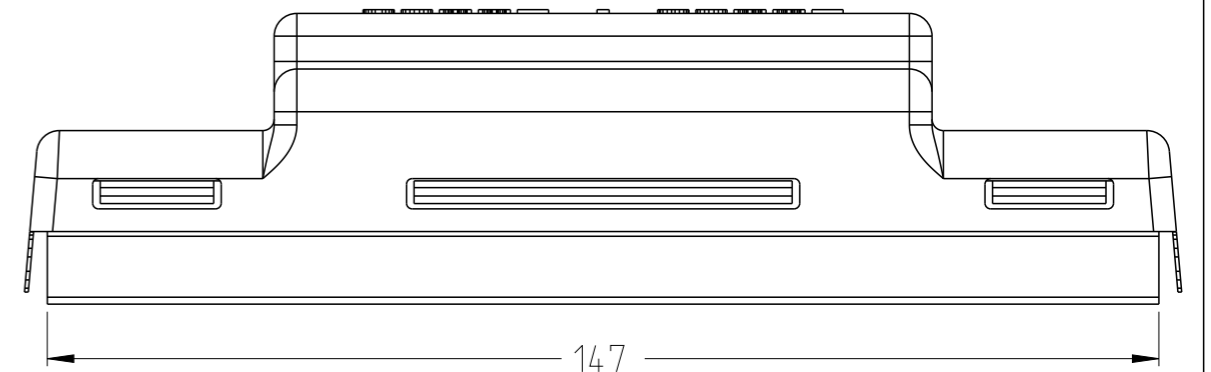
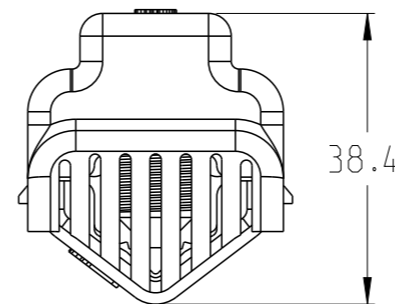
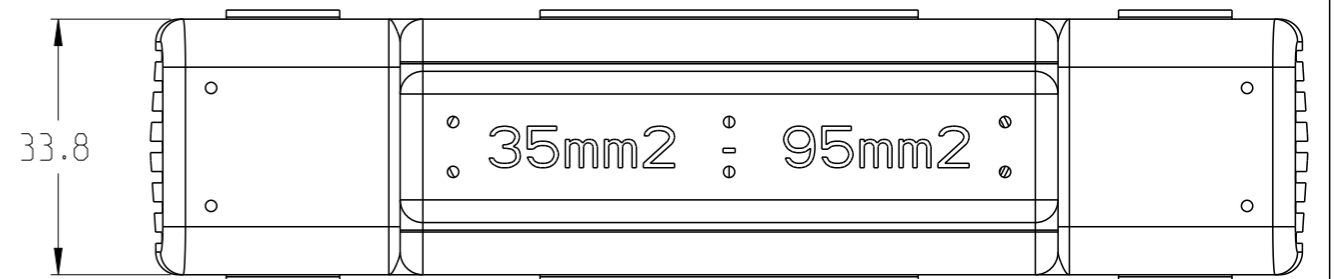
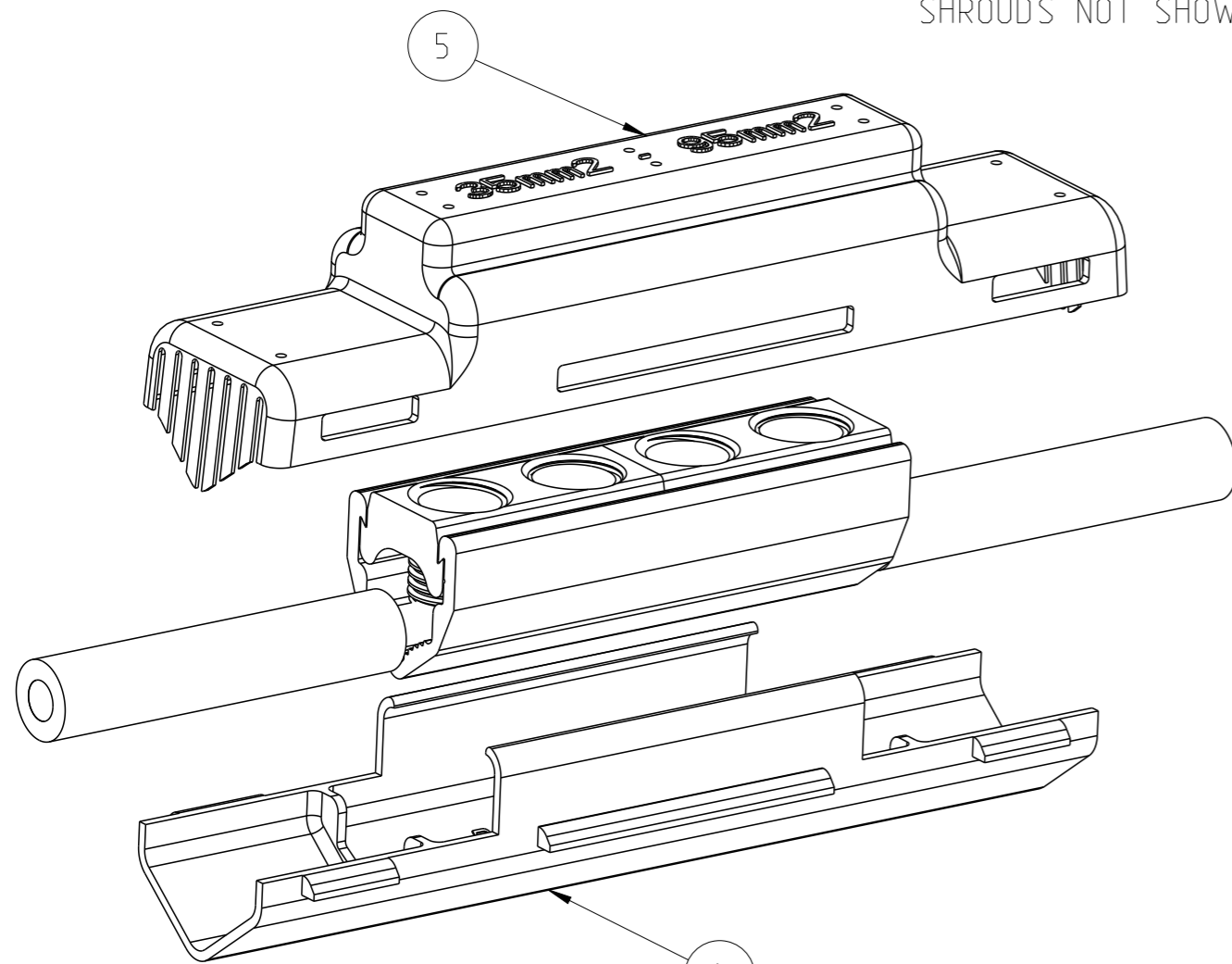


P	LTR	DESCRIPTION	DATE	DWN	APVD
	A	INITIAL RELEASE	23MAR2021	VG	NA



SHROUDS NOT SHOWN



TCPN	DESCRIPTION	REFERENCE	CONDUCTOR SIZE (mm ²)	SOCKET/SPANNER A/F (mm)
EB9132-000	BAH-032020079	UST095INS	35-95	13

ITEM	QTY	PART NUMBER	DESCRIPTION
5	1	EB6943-000	UST095 UPPER INSULATION SHROUD
4	1	EB6944-000	UST095 LOWER INSULATION SHROUD
3	2	EE3571-000	M14x1.5 13 A/F 37.5 LONG ALUMINIUM SINGLE-SHEAR FLAT TIP BOLT KIT
2	2	354888-000	UNIVERSAL 95mm ² TOP INSERT (2 BOLT)
1	1	019524-000	UNIVERSAL 95mm ² STRAIGHT BOTTOM INSERT (4 BOLT)

THIS DRAWING IS A CONTROLLED DOCUMENT.

DIMENSIONS:	TOLERANCES UNLESS OTHERWISE SPECIFIED:
mm	
	0 PLC ±
	1 PLC ±
	2 PLC ±
	3 PLC ±
	4 PLC ±
	ANGLES ±
	FINISH -

DWN	23MAR2021
VENKATESH G	
CHK	23MAR2021
L. JONATHAN	
APVD	23MAR2021
N. ALMEIDA	
PRODUCT SPEC	
APPLICATION SPEC	
WEIGHT	-
CUSTOMER DRAWING	

TE TE Connectivity

UNIVERSAL STRAIGHT JOINT CONNECTORS WITH MOULDED INSULATION SHROUDS
BAH-032020079

SIZE	CAGE CODE	DRAWING NO	RESTRICTED TO
A3	00779	BAH-032020079	-

SCALE 1:1 SHEET 1 OF 1 REV A